

45ft Retro-Reflective Photoelectric Beam Sensor

E-931-S45RRQ

Range: Up to 45ft (14m)

Features:

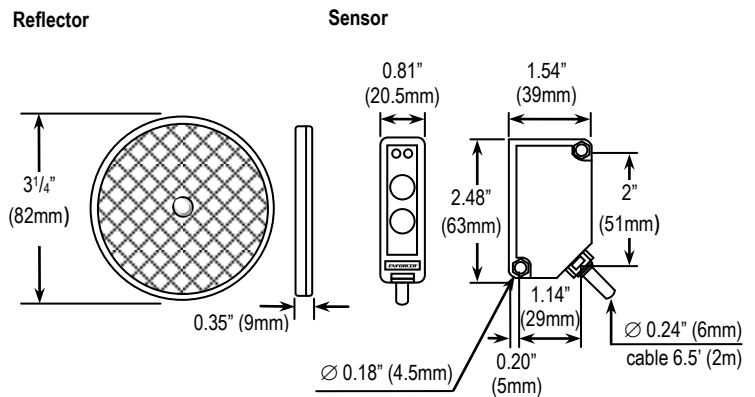
- Adjustable range – up to 45ft (14m)
- Adjustable response time: 5~100ms
- 3-Inch reflector and hood included
- 12~250 VAC/VDC
- Weatherproof (IP66) construction for indoor/outdoor usage
- Pre-wired 6ft cord
- Bracket and mounting hardware included for both sensor and reflector
- Compact size

Specifications:

Model	E-931-S45RRQ
Type	Retro-reflective
Sensing range	0.5'~45' (0.2~14 m)
Voltage supply	12~250 VAC/VDC
Current draw	70mA@12VDC
Response time	5ms~100ms (adjustable)
Light source	IR LED
LEDs	Yellow LED (alignment), Red LED (trigger)
Trigger output	SPDT relay output (NO/NC/COM)
Switching capacity	3A@120VAC / 3A@30VDC
Enclosure	IP66 weatherproof
Ambient temperature	-4°~131°F (-20°~55°C)
Mounting brackets	Included



Dimensions:



Included:

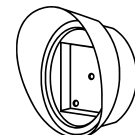
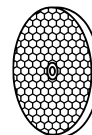
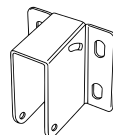
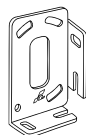
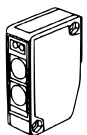
E-931-S45RRQ
Transmitter/Receiver

E-931ACC-BLS1Q
Sensor Mounting Bracket

E-931ACC-BLS5Q
Sensor Mounting Bracket

E-931ACC-RC1Q
Round Reflector

E-931ACC-HRQ
Reflector Hood for Round or Square Reflector



SECO-LARM

16842 Millikan Ave • Irvine, CA 92606

Tel: 949-261-2999 / 800-662-0800 • Fax: 949-261-7326

sales@seco-larm.com • www.seco-larm.com



Copyright 2012 © SECO-LARM U.S.A., Inc. All rights reserved.
The SECO-LARM policy is one of continual development. For that reason, SECO-LARM reserves the right to change prices and specifications without notice. SECO-LARM is not responsible for misprints.

SECO-LARM® CRIMEBUSTER® CBA SLI

pi-E-931-S45RRQ.docx