

Push-Button Request-to-Exit Plates

- SD-7201KBQ** Single-Gang, Black Push-button, N.C.
- SD-7101KBPE1Q** Slimline, Black Push-button, N.C.
- SD-7101RAEX1Q** Slimline, Red Push-button, N.O.

Features:

- Stainless-steel plate
- Momentary push-button switch with ring guard
- Contact rated 1 Amp@125VAC
- "EXIT" and "SALIDA" silk-screened on plate (except SD-7201KBQ)
- Weatherproof (IP65) for indoor/outdoor use

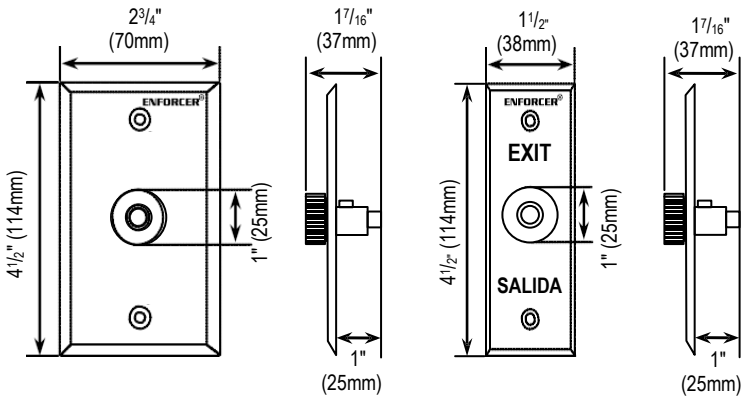
Specifications:

Contact Rating	1A@125VAC
Weatherproof	IP65



Single-gang
SD-7201KBQ

Dimensions:



Slimline
SD-7101KBPE1Q



Slimline
SD-7101RAEX1Q