

LED Strobe Lights

SL-1301-EAQ

6 LEDs total, flash only

SL-1301-BAQ

32 LEDs total, 5 LED strips

Same as EAQ series plus adjustable flash speeds, patterns, and duty cycle, and optional battery backup

SL-1301-SAQ

54 LEDs total, 10 LED strips

Same as BAQ series plus 100dB siren



Features:

- Utilizes high-intensity LEDs
- Operating life over 50,000 hours (over 5.7 years)
- Same size as the SL-126Q strobe light
- Simple 2-wire installation
- Weather resistant
- High-impact resistant case
- High-impact and heat-resistant lens
- Reverse polarity protection
- Visible in all directions
- 5 lens colors available:
Amber, Blue, Clear, Green and Red



Ordering Info:

Model	6 LED	32 LED	54 LED
Amber	SL-1301-EAQ/A	SL-1301-BAQ/A	SL-1301-SAQ/A
Blue	SL-1301-EAQ/B	SL-1301-BAQ/B	SL-1301-SAQ/B
Clear	SL-1301-EAQ/C	SL-1301-BAQ/C	SL-1301-SAQ/C
Green	SL-1301-EAQ/G	SL-1301-BAQ/G	SL-1301-SAQ/G
Red	SL-1301-EAQ/R	SL-1301-BAQ/R	SL-1301-SAQ/R

BAQ series also include all features of the EAQ plus:

- 5 Vertical LED strips (32 LEDs total) increase visibility from various directions
- 8 flash patterns and adjustable duty cycle
- Adjustable flashing speed
- Backup battery available for continuous lighting applications

SAQ series also includes all features of the BAQ plus:

- 10 Vertical LED strips (54 LEDs total)
- Built-in 100dB siren (programmable)

Specifications:

Model	SL-1301-EAQ	SL-1301-BAQ	SL-1301-SAQ
Operating voltage	9~15 VDC	9~24 VAC/VDC	
Current draw (max)*	150mA	70~350mA	90~550mA†
# of flash patterns‡	1	8	8
Flashing speed	120 times/min	Adjustable 80~160 times/min	
Vertical LED strips	0	5	10
Total # of LEDs	6	32	54
Backup battery§	No	Yes	Yes
Operating temperature	-4°~144° F (-20°~65° C)		
Electrical protection	Reverse polarity protected		
Built-in siren	No	Yes (100dB)	
IP rating	IP64	IP66	IP55
Dimensions	ø3 ¹⁵ / ₁₆ "x3 ¹ / ₈ " (ø100x79mm)		

*Depending on settings

‡SL-1301-EAQ series has strobe only

†With siren enabled

§9VDC battery not included

SECO-LARM® U.S.A., Inc.

16842 Millikan Avenue, Irvine, CA 92606

Phone: (949) 261-2999 | (800) 662-0800 Fax: (949) 261-7326

Website: www.seco-larm.com Email: sales@seco-larm.com



Copyright © 2019 SECO-LARM U.S.A., Inc. All rights reserved. All trademarks are the property of SECO-LARM U.S.A., Inc. or their respective owners. The SECO-LARM policy is one of continual development. For that reason, SECO-LARM reserves the right to change prices and specifications without notice. SECO-LARM is not responsible for misprints.

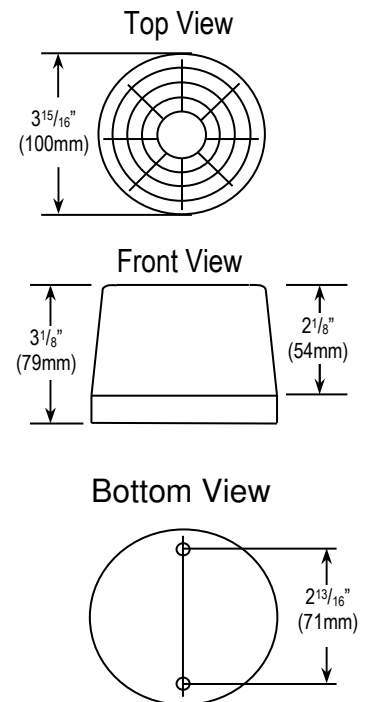
SECO-LARM® ENFORCER® CRIMEBUSTER® CBA® SLI®

Programmable Flash Patterns / Duty Cycle (BAQ & SAQ models only):

DIP Switch Position	Description	Flash Pattern Top View (SL-1301-BAQ Shown)
A	Regular Duty Cycle LED on one-half / off one-half of each cycle (default) (DIP Switch #4 ON, only effective for flash patterns 1, 2, and 5)	
B	One-Eighth Duty Cycle LED on one-eighth / off seven-eighths of each cycle (DIP Switch #4 OFF, only effective for flash patterns 1, 2, and 5)	
1	Strobe LEDs flash on and off continuously. (default) (DIP Switch #4 controls the duty cycle)	
2	Rotate Clockwise Light rotates clockwise in a circular fashion continuously. (Beacon) (DIP Switch #4 controls the duty cycle)	
3	Steady ON All LEDs stay on. Ideal for continuous lighting applications.	
4	Flash with Progressive ON LEDs turn on progressively clockwise until all LEDs are lit (sweep), and then turn off.	
5	Rotate Back and Forth LED groups light up one at a time clockwise then counterclockwise. (DIP Switch #4 controls the duty cycle)	
6	Flash with Progressive ON/OFF LEDs turn on progressively clockwise (sweep), then turn off progressively counterclockwise.	
7	Opposite Quarters Flashing Continuously LEDs in opposite quarters flash alternately, repeating continuously.	
8	Opposite Quarters Flashing with Pause LEDs in opposite quarters flash alternately for 8 cycles, pause for 2 cycles, and then repeat the pattern.	

Users may customize both flash pattern and duty cycle (flash patterns 1, 2, and 5 only). The "One-Eighth Duty Cycle" produces a sharper "strobe" effect more like traditional strobe lights. DIP Switch #4 controls the duty cycle for supported flash patterns. Visit www.seco-larm.com for a demonstration of flash patterns / duty cycle.

Dimensions:



Also Available from Superior Electronics:

Note: The SL-1301 series LED strobe light has the same dimensions as the SL-126 series strobe light.

Replacement Lenses

SL-126LQ/X

(Replace "X" with the first letter of the desired color)



Available in Red, Blue, Amber, Clear, or Green

Mounting Options

Conduit Drop
SL-1901-DAQ



Conduit Box
SL-1901-JAQ



Application Photos

Conduit Drop



Conduit Box



Both



Xenon Tube Strobe Lights
SL-126Q Series



Available in Red, Blue, Amber, Clear, or Green

SECO-LARM® U.S.A., Inc.

16842 Millikan Avenue, Irvine, CA 92606

Phone: (949) 261-2999 | (800) 662-0800 Fax: (949) 261-7326

Website: www.seco-larm.com Email: sales@seco-larm.com



Copyright © 2019 SECO-LARM U.S.A., Inc. All rights reserved. All trademarks are the property of SECO-LARM U.S.A., Inc. or their respective owners. The SECO-LARM policy is one of continual development. For that reason, SECO-LARM reserves the right to change prices and specifications without notice. SECO-LARM is not responsible for misprints.

SECO-LARM® ENFORCER® CRIMEBUSTER® CBA® SLI®