

ENFORCER[®]

E-964-S50TB Multi-Frequency Single Photobeam **Manual**



- 4 selectable frequencies to reduce interference
- Small size for a less conspicuous installation
- Simple to install
- Signal strength indicator for easier alignment
- Weatherproof for indoor/outdoor use (IP65)
- Built-in AGC control to filter out lighting disturbances
- LED indicators for power, signal strength, and trigger
- Mounting hardware included

ENFORCER Multi-Frequency Single Photobeam

Specifications:

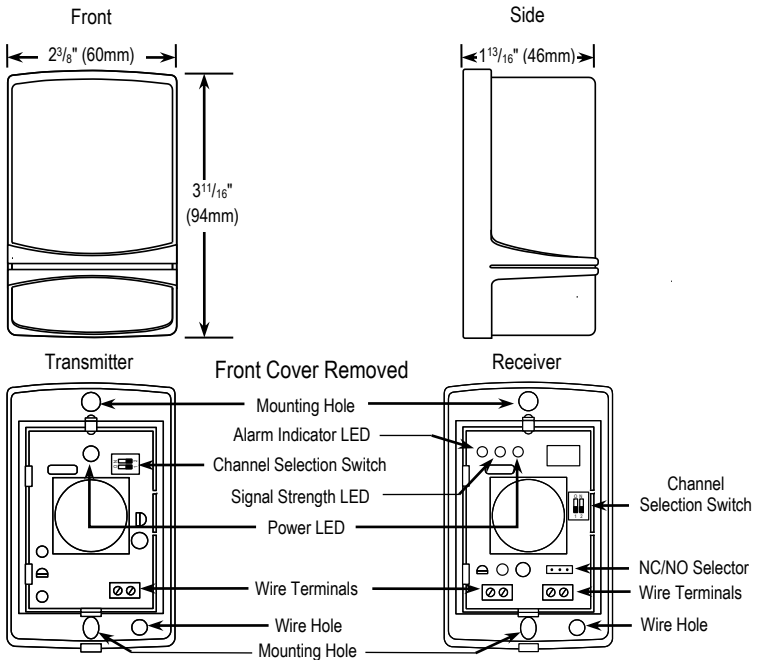
| | | |
|----------------------------|-----------------|---|
| Number of beam channels | | Single infrared beam |
| Number of beam frequencies | | 4 |
| Sensor range | | 3~50ft (1~15m) |
| Infrared LED wavelength | | 940nm |
| LED beam spread angle | | Approximately $\pm 10^\circ$ |
| Interrupt speed* | | 50ms |
| Input power | | 10~24VDC |
| Current draw (max) | Transmitter | 15mA@12VDC |
| | Receiver | 30mA@12VDC |
| Relay output | | NO/NC relay (set by jumper, default is N.C.) 0.5A@30VAC/VDC |
| LED (Transmitter) | | Green - Indicates connected to power |
| LEDs (Receiver) | Power (Green) | Indicates connected to power |
| | Signal (Yellow) | Dims/off when receiver's signal is weak / off when beam is broken |
| | Alarm (Red) | Indicates transmitter & receiver are not aligned or beam is broken |
| IP rating | | IP65 |
| Operating temperature | | -13~131°F (-25~55°C) maximum humidity 95% |
| Dimensions | | 3 ¹¹ / ₁₆ "x2 ³ / ₈ "x1 ¹³ / ₁₆ " (94x60x46 mm) |
| Weight | | 2.6-oz (74g) |

*This is the minimum time interval for breaking the beam which will trigger the output

Parts List:

| | | |
|----------------|-------------------------|-----------|
| 1x Transmitter | 4x Screws | 1x Manual |
| 1x Receiver | 4x Plastic wall anchors | |

Overview:



Sample Installation:

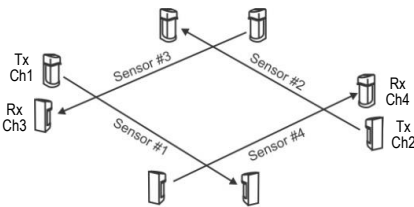
NOTE: Do not mount the E-964-S50TB where it is exposed to direct sunlight to prevent sensor damage.

NOTE: For best operation, allow a minimum of 40 inches (1 meter) between the transmitter and receiver.

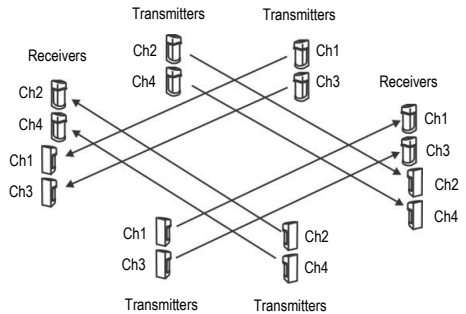
1. Find a location where the transmitter and receiver can be installed facing each other. Ideally, mount the E-964-S50TB at least 8" (20cm) above the floor. However, actual height depends on the application.
2. Test the E-964-S50TB before mounting.
 - a. Choose from one of 4 frequencies by setting the dip switches on both the transmitter and receiver (see the Frequency Selection Chart on pg. 4). Both the transmitter and receiver must be set to the same frequency.
 - b. Connect power to the transmitter and receiver and hold them in the desired location by hand. Break the beam by walking through or slowly waving a hand through the beam. Adjust the location until the device operates properly. Note that the circuit boards are hinged to allow for finer horizontal adjustment.
3. Disconnect power.
4. With a pencil, lightly trace around the transmitter and receiver to show where they will be mounted.
5. Take the covers off the transmitter and receiver. Hold the bases against the wall in the areas traced, then use a pencil to mark the holes in each base for mounting screws.
 - a. Wood or metal wall: Use a drill bit to drill a starter hole for each of the three mounting screw holes in each base. Then screw the mounting screws into the three holes.
 - b. Dry wall: Use a drill bit to drill a hole just barely large enough to insert the plastic wall anchors. Then screw the mounting screws through the base into the plastic wall anchors.
6. Ensure that the NO/NC jumper switch is correct for the device to be activated (default is N.C.).
7. Connect the appropriate wires for the device to be activated to the receiver terminals and reconnect power.

Sample Applications:

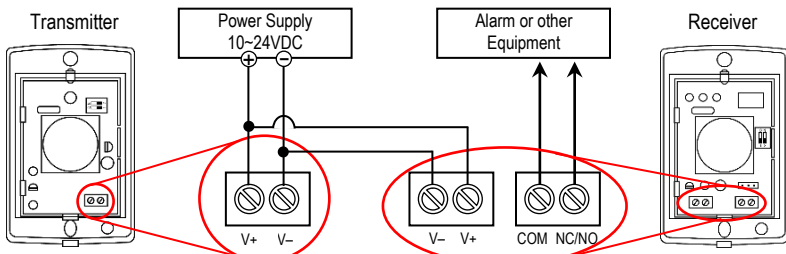
Perimeter Security:



Perimeter Security (Double-stacked):



Wiring Diagram:



ENFORCER Multi-Frequency Single Photobeam

Frequency Selection Chart:

| Frequency channel | CH1 | CH2 | CH3 | CH4 |
|-------------------|-----|-----|-----|-----|
| Switch position | | | | |

Important: Transmitter and receiver must be set to the same frequency.

Troubleshooting:

| | |
|--|---|
| Sensor does not detect the object | <ul style="list-style-type: none">Object may have a reflective surface which confuses the sensor. Try changing the angle of the sensor |
| Green power LED does not turn on | <ul style="list-style-type: none">Ensure that the power is connected |
| Yellow LED or Red LED does not turn off | <ul style="list-style-type: none">Clean the transmitter and receiver sensors with a damp (not wet) clothReadjust the alignment of the transmitter and receiverEnsure that both the receiver and transmitter are set to the same frequency |
| Red LED lights when object is detected, but the output device is not activated | <ul style="list-style-type: none">Check the wiring between the receiver and the output device for continuity |

Also Available from SECO-LARM:

Twin Photobeam Detectors



- 4 Models available – up to 390ft (120m) range
- 12-30 VAC/VDC

Reflective Photobeam Sensor



- Available with 45ft (14m) or 35ft (11m) range
- Weatherproof

Hooded Reflective Photobeam Sensor



- Available with 50ft (15m) or 33ft (10m) range
- Polarized version available

Flush-Mount Photobeam Sensors



- Available with reflective beam 16ft (5m) or through beam and 33ft (10m) range

IMPORTANT: Users and installers of this product are responsible for ensuring this product complies with all national, state, and local laws and statutes related to monitoring and recording audio and video signals. SECO-LARM will not be held responsible for the use of this product in violation of any current laws or statutes.

WARRANTY: This SECO-LARM product is warranted against defects in material and workmanship while used in normal service for one (1) year from the date of sale to the original customer. SECO-LARM's obligation is limited to the repair or replacement of any defective part if the unit is returned, transportation prepaid, to SECO-LARM. This Warranty is void if damage is caused by or attributed to acts of God, physical or electrical misuse or abuse, neglect, repair or alteration, improper or abnormal usage, or faulty installation, or if for any other reason SECO-LARM determines that such equipment is not operating properly as a result of causes other than defects in material and workmanship. The sole obligation of SECO-LARM and the purchaser's exclusive remedy, shall be limited to the replacement or repair only, at SECO-LARM's option. In no event shall SECO-LARM be liable for any special, collateral, incidental, or consequential personal or property damage of any kind to the purchaser or anyone else.

NOTICE: The SECO-LARM policy is one of continual development and improvement. For that reason, SECO-LARM reserves the right to change specifications without notice. SECO-LARM is also not responsible for misprints. All trademarks are the property of SECO-LARM U.S.A., Inc. or their respective owners. Copyright © 2018 SECO-LARM U.S.A., Inc. All rights reserved.

SECO-LARM® U.S.A., Inc.

16842 Millikan Avenue, Irvine, CA 92606
Phone: (949) 261-2999 | (800) 662-0800

Website: www.seco-larm.com
Email: sales@seco-larm.com

PICAN2

MI_E-964-S50TB_181019.docx