

# ENFORCER®

## MVE-AHMPM-41NQ

### 4K HDMI Extender over IP

## Manual



**HDMI®**  
HIGH DEFINITION MULTIMEDIA INTERFACE

### Features:

- Extends HDMI over one Cat5e/6 cable or IP network
- Supports One-to-One, and One-to-Many applications
- Power adapters and IR hardware included
- IR Support (20kHz~60kHz)
- HDCP Compliant
- Receiver (MVE-AHMPM-41NRQ) also available separately

HDMI, the HDMI Logo and High-Definition Multimedia Interface are trademarks or registered trademarks of HDMI Licensing LLC in the United States and other countries.

**SECO-LARM® SLI®**

FC CE RoHS

# ENFORCER 4K HDMI Extender over IP

## Introduction:

The MVE-AHMPM-41NQ 4K HDMI Extender over IP extends the range of HDMI signals by using an active transmitter and receiver to send video and audio over a single Cat5e/6 cable. The 4K HDMI Extender over IP supports IR signals using the included IR transmitter and receiver, allowing remote control use from one end of an installation to control a device such as a media player or DVD player at the opposite end of the installation. The MVE-AHMPM-41NQ supports One-to-One, and One-to-Many installations, allowing the connection of multiple units for extended range.

## Parts List:

1x Transmitter	1x IR Transmitter	2x Power adapters
1x Receiver	1x IR Receiver	1x Manual

## Specifications:

Model	Transmitter MVE-AHMPM-41NTQ	Receiver MVE-AHMPM-41NRQ
Maximum video resolution	4K@30Hz	
Deep color	24-bit	
Video formats supported	DTV/HDTV: 480i, 480p, 576i, 576p, 720p, 1080i, 1080p, 4K@30Hz	
Range – 4K	Cat5	
	Cat5e	
	Cat6	
IP addressing	Static	
IR frequency	20kHz~60kHz	
Operating voltage	5VDC	
Power supply	2A@5VDC	
Power consumption	6W	4W
Operating temperature	32°~140° F (0°~60° C)	
Dimensions	47 <sup>1</sup> / <sub>16</sub> "x15 <sup>1</sup> / <sub>16</sub> "x3 <sup>11</sup> / <sub>16</sub> " (112x23x94 mm)	
Weight	5.9-oz (170g)	

## Overview

Receiver shown



\*Input/output are reversed on the transmitter

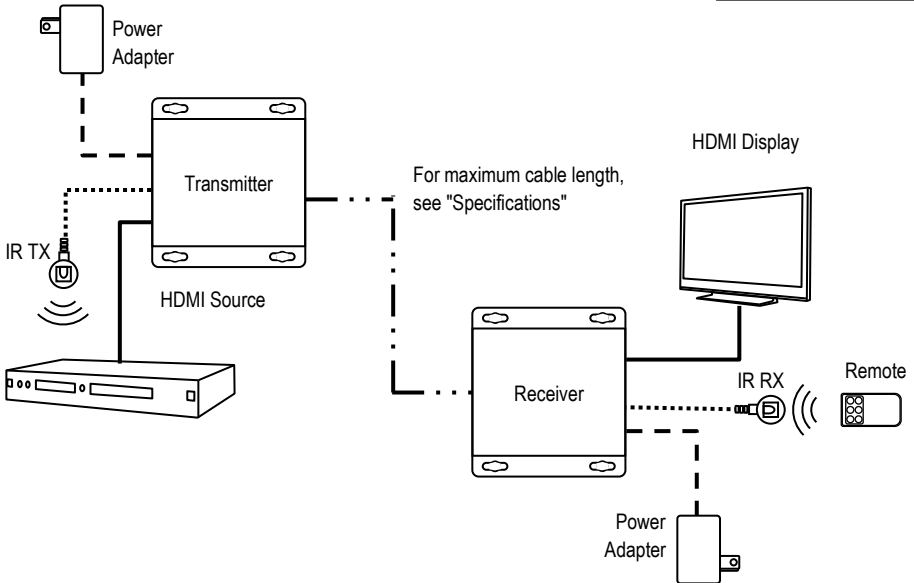
**Installation:**

1. Determine the location where the 4K HDMI Extender over IP units will be installed as well as how much Cat5e/6 cable will be necessary.
2. Connect the transmitter to the HDMI output of the source device.
3. Connect the transmitter and receiver:
  - a. If connecting One-to-One, connect one end of the Cat5e/6 cable to the transmitter and the other end directly to the receiver.
  - b. If installing with a switch or router, connect one end of the Cat5e/6 cable to the transmitter and the other end to a switch or router. Then, with a second Cat5e/6 cable connect the receiver to the other end of the switch or router.
4. Connect the receiver to the HDMI input of the display or other device.
5. Connect one 5VDC adapter to the transmitter and the other to the receiver.
6. If remote control is desired:
  - a. Install the IR transmitter extension to the IR OUT port of the transmitter, pointing the IR transmitter at the IR sensor of the device to be controlled.
  - b. Install the IR receiver extension to the IR IN port of the receiver, pointing the IR receiver in a direct line of sight to where the remote control will be.
  - c. Point the remote control at the IR receiver when in use.
7. Switch on the HDMI source and display to verify that the system is functioning properly. It may take up to a minute to sync up the video stream.

**Sample Applications — One-to-One:**

**Cable Legend:**



	HDMI
	Power
	IR
	Cat5e/6

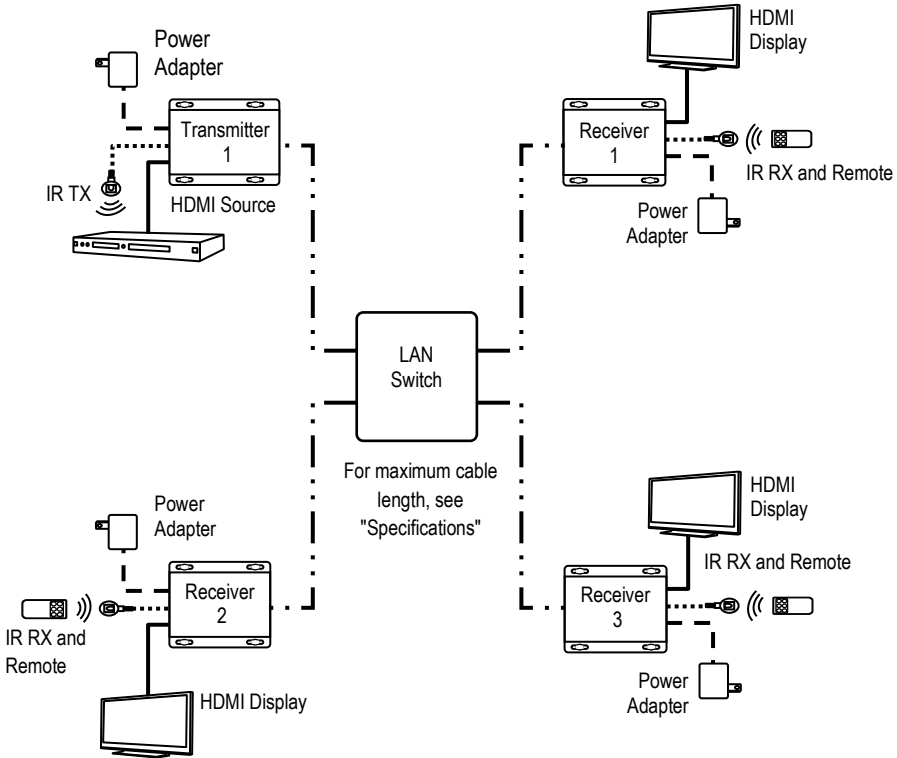


# ENFORCER 4K HDMI Extender over IP

## Sample Applications — One-to-Many, Switch/Router:

### Cable Legend:

	HDMI
	Power
	IR
	Cat5e/6



**California Proposition 65 Warning:** These products may contain chemicals which are known to the State of California to cause cancer and birth defects or other reproductive harm. For more information, go to [www.P65Warnings.ca.gov](http://www.P65Warnings.ca.gov).

HDMI, the HDMI Logo and High-Definition Multimedia Interface are trademarks or registered trademarks of HDMI Licensing LLC in the United States and other countries.

**IMPORTANT:** Users and installers of this product are responsible for ensuring this product complies with all national, state, and local laws and statutes related to monitoring and recording audio and video signals. SECO-LARM will not be held responsible for the use of this product in violation of any current laws or statutes.

**WARRANTY:** This SECO-LARM product is warranted against defects in material and workmanship while used in normal service for one (1) year from the date of sale to the original customer. SECO-LARM's obligation is limited to the repair or replacement of any defective part if the unit is returned, transportation prepaid, to SECO-LARM. This Warranty is void if damage is caused by or attributed to acts of God, physical or electrical misuse or abuse, neglect, repair or alteration, improper or abnormal usage, or faulty installation, or if for any other reason SECO-LARM determines that such equipment is not operating properly as a result of causes other than defects in material and workmanship. The sole obligation of SECO-LARM and the purchaser's exclusive remedy, shall be limited to the replacement or repair only, at SECO-LARM's option. In no event shall SECO-LARM be liable for any special, collateral, incidental, or consequential personal or property damage of any kind to the purchaser or anyone else.

**NOTICE:** The SECO-LARM policy is one of continual development and improvement. For that reason, SECO-LARM reserves the right to change specifications without notice. SECO-LARM is also not responsible for misprints. All trademarks are the property of SECO-LARM U.S.A., Inc. or their respective owners. Copyright © 2021 SECO-LARM U.S.A., Inc. All rights reserved.

**SECO-LARM® U.S.A., Inc.**

16842 Millikan Avenue, Irvine, CA 92606

Phone: (949) 261-2999 | (800) 662-0800

Website: [www.seco-larm.com](http://www.seco-larm.com)

Email: [sales@seco-larm.com](mailto:sales@seco-larm.com)

 PICLNS

MI\_MVE-AHMPM-41NQ\_210524.docx