

ENFORCER®

SD-7983-SSHQ

4.5" Round Push Plate

Manual



Features:

- Large, stainless steel plate button for public area usage
- International Symbol of Access and "PUSH TO OPEN" engraved for easy visual and tactile identification
- Use with SECO-LARM maglocks for an easily installed, high-security system
- Contact rating: 15A@125/250 VAC
- Momentary SPDT switch
- Operating life: Over 100,000 cycles (factory tested)
- Surface-mount plastic back box allows for quick installation, flexible mounting, and easy RF (wireless) upgrade

ENFORCER 4.5" Round Push Plate

Introduction:

The ENFORCER 4.5" Round Push Plate is designed for easy, accessible entry and exit through public area doors. The 4.5" Round Push Plate features a large stainless steel button with the International Symbol of Access and "PUSH TO OPEN" engraved for clear and easy visual and tactile identification. Featuring an operating life of over 100,000 cycles and a surface-mount back box for flexible mounting options, the ENFORCER 4.5" Round Push Plate is the perfect solution for reliable, secure, and accessible entry and exit for schools, hospitals, nursing homes, apartments, and other high-density public spaces.

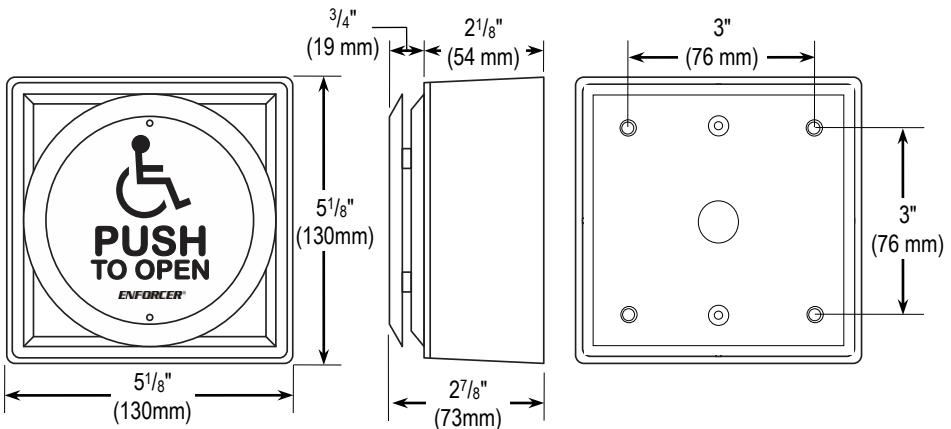
Parts List:

1x Stainless steel plate	1x Back box	1x Hex wrench
2x Micro-switch connector cables	2x Connectors	4x Mounting screws
1x Manual		

Specifications:

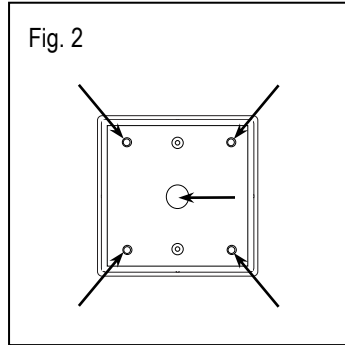
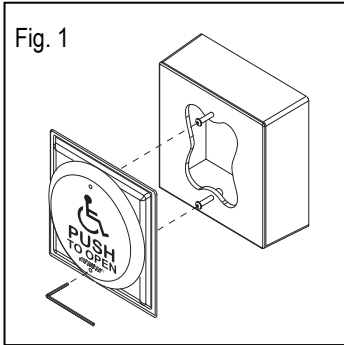
Contact rating	15A@125/250 VAC	
Switch type	NO/NC/COM (SPDT)	
Contact resistance	50mΩ Max.(initial)	
Operating life	100,000 Cycles (factory tested)	
Operating travel	1.27mm	
Flammability rating	UL94HB	
Material	Faceplate	Stainless Steel
	Back box	ABS Plastic
Dimensions	Faceplate	4 1/2"x4 1/2"x3/4" (115x115x19 mm)
	Back box	5 1/8"x5 1/8"x2 1/8" (130x130x54 mm)
Operating temperature	32°~221° F (0°~105° C)	
Weight	16.5-oz (467g)	

Dimensions:



Installation:

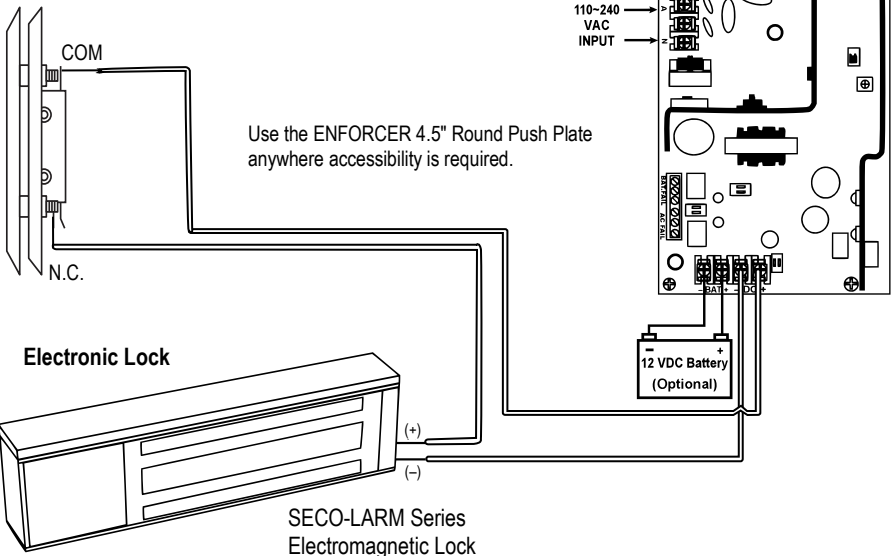
1. Determine a suitable location for the 4.5" Round Push Plate.
2. Run wires through the wall to the desired location.
3. Remove the faceplate and the front of the back box using the included hex wrench (see Fig. 1).
4. Punch out the center plug and four thinned out areas located inside the back box (see Fig. 2).
5. Using the four included mounting screws, secure the back box to the wall.
6. Reattach the front of the back box.
7. Wire the switch terminal according to the wiring diagram (see pg. 4).
8. Replace the faceplate and tighten screws.



Sample Installation:

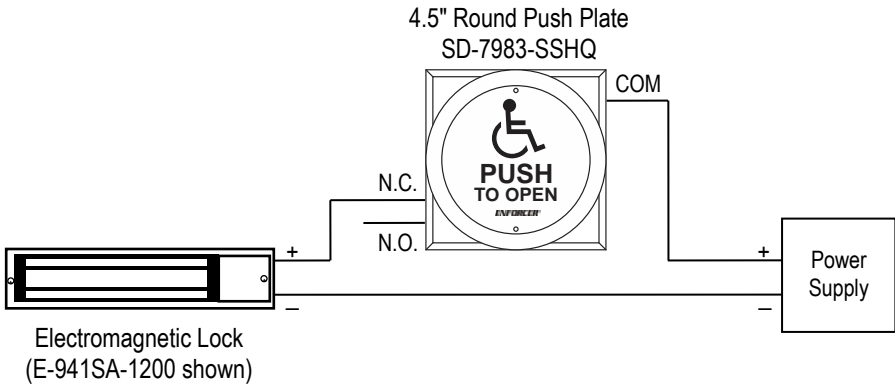
4.5" Round Push Plate
SD-7983-SSHQ

Access Control Power Supply
(EAP-5D1Q shown)



ENFORCER 4.5" Round Push Plate

Wiring Diagram:



Also Available from **SECO-LARM®**:

Electric Door Strikes



SD-995C shown

Wireless RTE Plates



SD-8202GT-PEQ
shown

RF Remote Control



SK- 910RBQ /
SK-919TP4J-NUQ
shown

WARRANTY: This SECO-LARM product is warranted against defects in material and workmanship while used in normal service for one (1) year from the date of sale to the original customer. SECO-LARM's obligation is limited to the repair or replacement of any defective part if the unit is returned, transportation prepaid, to SECO-LARM. This Warranty is void if damage is caused by or attributed to acts of God, physical or electrical misuse or abuse, neglect, repair or alteration, improper or abnormal usage, or faulty installation, or if for any other reason SECO-LARM determines that such equipment is not operating properly as a result of causes other than defects in material and workmanship. The sole obligation of SECO-LARM and the purchaser's exclusive remedy, shall be limited to the replacement or repair only, at SECO-LARM's option. In no event shall SECO-LARM be liable for any special, collateral, incidental, or consequential personal or property damage of any kind to the purchaser or anyone else.

NOTICE: The SECO-LARM policy is one of continual development and improvement. For that reason, SECO-LARM reserves the right to change specifications without notice. SECO-LARM is also not responsible for misprints. All trademarks are the property of SECO-LARM U.S.A., Inc. or their respective owners. Copyright © 2018 SECO-LARM U.S.A., Inc. All rights reserved.

SECO-LARM® U.S.A., Inc.

16842 Millikan Avenue, Irvine, CA 92606
Phone: (949) 261-2999 | (800) 662-0800

Website: www.seco-larm.com
Email: sales@seco-larm.com

 PITGW1

MI_SD-7983-SSHQ_180206.docx