



E-931ACC-BLS6Q Flush Mount Bracket E-931ACC-BLS7Q Wall Bracket

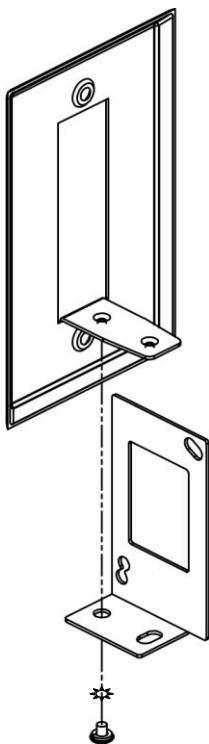
Compatible with Sensors E-931-S35RRQ and E-931-S45RRQ

Manual

Parts List - Flush Mount Bracket E-931ACC-BLS6Q

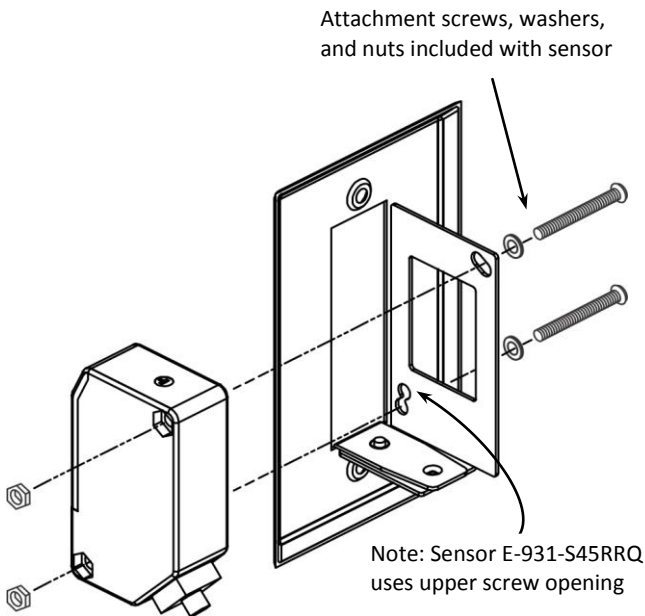
- | | | | |
|----|------------|----|-------------------------------|
| 1x | Wall Plate | 1x | Bracket Screw and Lock Washer |
| 1x | L-Bracket | 2x | Wall Plate Screws |

Installation Flush Mount Bracket E-931ACC-BLS6Q



STEP 1

Sensor E-931-S35RRQ Shown



Attachment screws, washers, and nuts included with sensor

Note: Sensor E-931-S45RRQ uses upper screw opening

STEP 2

ENFORCER Sensor Brackets

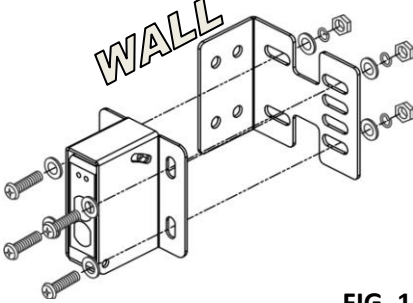
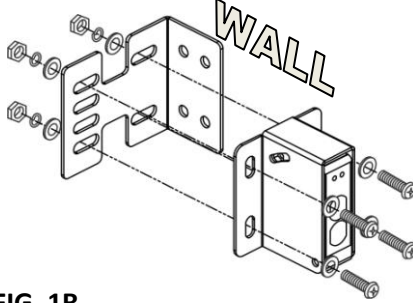
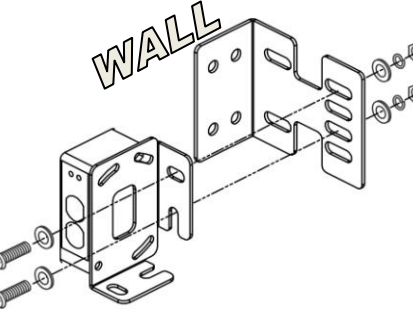
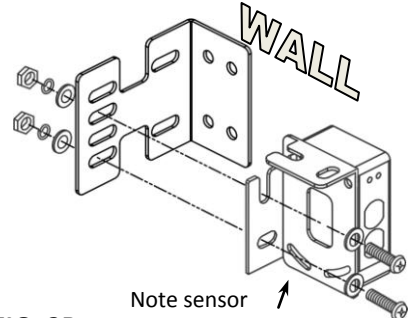
Parts List - Wall Mount Bracket E-931ACC-BLS7Q

1x	Wall Mount Bracket	4x	Spring Lock Washers
4x	Mounting Bolts	8x	Washers

Installation for Wall Mount Bracket E-931ACC-BLS7Q

Note: Wall Mount Bracket should be first installed to the wall using four attachment screws (not included) and facing in the proper direction for the desired left or right-facing orientation before proceeding with attachment of the sensors.

(Sample Installation for Sensor E-931-S45RRQ shown.)

Left-Facing Sensor Orientation	Right-Facing Sensor Orientation
Using sensor supplied bracket E-931ACC-BLS5Q (E-931-S45RRQ only)	
 <p style="text-align: center;">FIG. 1L</p>	 <p style="text-align: center;">FIG. 1R</p>
Using sensor supplied bracket E-931ACC-BLS1Q	
 <p style="text-align: center;">FIG. 2L</p>	 <p style="text-align: center;">FIG. 2R Note sensor bracket positioning</p>

WARRANTY: This SECO-LARM product is warranted against defects in material and workmanship while used in normal service for 1 (one) year from the date of sale to the original customer.

NOTICE: The information and specifications printed in this manual are current at the time of publication. However, the SECO-LARM policy is one of continual development and improvement. For this reason, SECO-LARM reserves the right to change specifications without notice. SECO-LARM is also not responsible for misprints or typographical errors. Copyright © 2014 SECO-LARM U.S.A., Inc. All rights reserved. This material may not be reproduced or copied, in whole or in part, without the written permission of SECO-LARM.

SECO-LARM® U.S.A., Inc.

16842 Millikan Avenue, Irvine, CA 92606
 Phone: (949) 261-2999 | (800) 662-0800

Website: www.seco-larm.com
 Email: sales@seco-larm.com

 PITSW1
 Order Part# 764-10136
 ME-931ACC-BLSxQ_140814.docx