

Electromechanical Push Bars

Installation Manual



SD-961B-36GSQ shown



| Model | Solenoid | Operating voltage | Color |
|---------------|----------|-------------------|-------------|
| SD-961A-36GQ | No | N/A | Silver |
| SD-961B-36GQ | No | N/A | Black |
| SD-961D-36GQ | No | N/A | Dark bronze |
| SD-961A-36GSQ | Yes | 12~24 VAC/VDC | Silver |
| SD-961B-36GSQ | Yes | 12~24 VAC/VDC | Black |
| SD-961D-36GSQ | Yes | 12~24 VAC/VDC | Dark bronze |

ENFORCER Electromechanical Push Bars feature a double-locking spindle for stronger and more secure locking. All models include a cylinder lock for keyed entry and some models offer solenoid-actuation to allow unlocking and relocking by an access control device.

- Double-locking spindle (stronger and more secure)
- Available in manual or solenoid-actuated versions
- Solenoid rated for both continuous and intermittent operation
- Aluminum alloy construction in a reversible, non-handed design
- Fail-Secure operation (but can be opened from inside by pressing the bar)
- Lock status monitoring for returning status to the access control system
- Mortise lock cylinder and keys included to release the lock from the outside
- Dogging latch on push bar to hold open
- Includes all needed hardware for typical installations

Parts List

- | | | | |
|----------------------|----------------------|------------------------|----------------|
| 1x Push bar | 2x Flat-head screws | 1x Dogging keyhole cap | 1x Dogging key |
| 1x Mounting template | 4x Round-head screws | 4x Mounting screw caps | 1x Manual |

Strike Assembly

- | | | | |
|-----------------|-------------------|-----------------------------|-------------|
| 1x Strike plate | 2x Strike spacers | 1x Flat-head wood screw | 1x Hex tool |
| 1x Hex wrench | 2x Blind nuts | 2x Flat-head machine screws | |

Lock Assembly

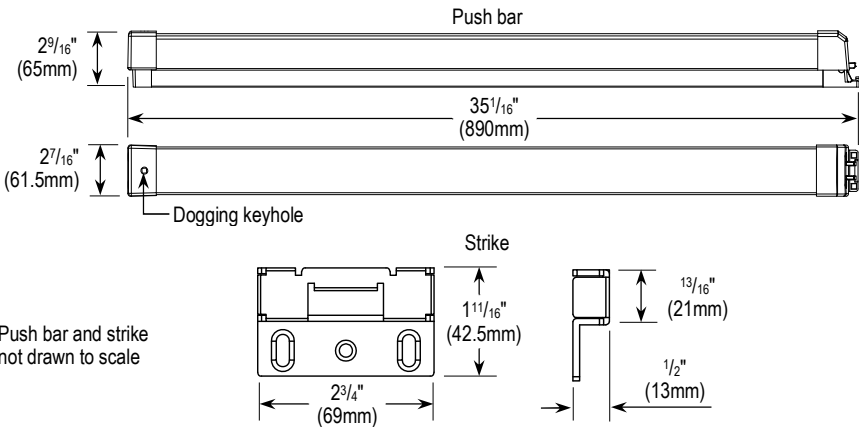
- | | | | | |
|------------------|-----------|-------------------|-------------------|----------|
| 1x Lock cylinder | 2x Screws | 1x Cylinder plate | 1x Cylinder guard | 3x Keys* |
|------------------|-----------|-------------------|-------------------|----------|

*No replacement keys available. Please keep a backup key in case of loss.

Specifications

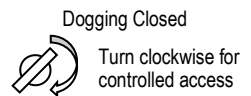
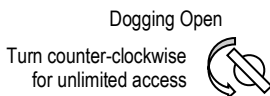
| Model | SD-961A-36GQ | SD-961B-36GQ | SD-961D-36GQ | SD-961A-36GSQ | SD-961B-36GSQ | SD-961D-36GSQ |
|-------------------|--|--------------|--------------|--|---------------|---------------|
| Operating voltage | N/A | | | 12-24 VAC/VDC | | |
| Current draw | N/A | | | 1.5A@12VDC, 0.5A@12VDC after 3 seconds | | |
| Entrance | External keyed lock | | | External keyed lock or access device | | |
| Endurance | N/A | | | Over 500,000 cycles | | |
| Contact load | 5A@125VAC | | | | | |
| Output | Form "C" (NO/NC/COM) door monitor | | | | | |
| For doors | 36" (91.5cm), minimum 32 ⁷ / ₈ " (83.5cm), wood or metal, non-handed | | | | | |
| Latch | Double locking spindle | | | | | |
| Color | Silver | Black | Dark bronze | Silver | Black | Dark bronze |
| Material | Anodized aluminum | | | | | |
| Dimensions | 2 ⁷ / ₁₆ "x2 ⁹ / ₁₆ "x35 ¹ / ₁₆ " (61.5x65x890 mm) | | | | | |
| Weight | 5-lb 10-oz (2.56kg) | | | 6-lb 6-oz (2.88g) | | |

Overview



Dogging the Push Bar

Remove dogging keyhole cover and insert dogging key.



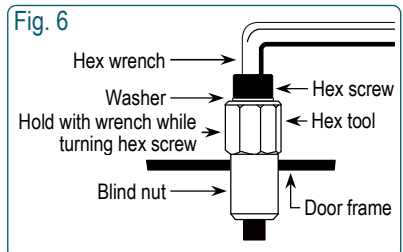
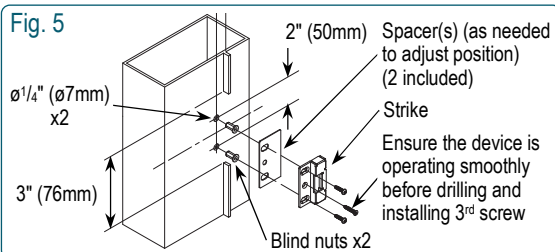
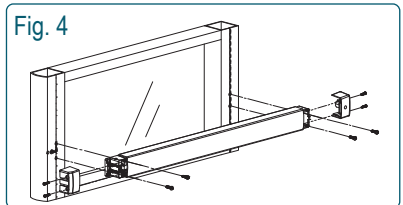
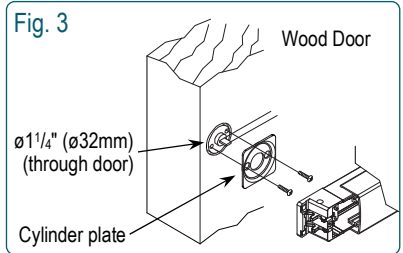
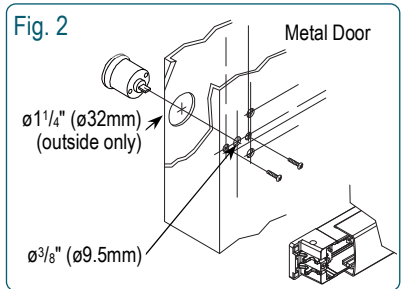
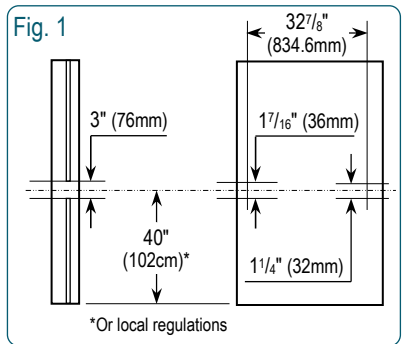
Installation

Please read the entire manual carefully before beginning installation

1. Measure and draw a horizontal line on the inside of the door 40" (102cm) above the floor or according to local regulations. This will be the push bar centerline.
2. Use the supplied metal template to mark lines for cutting away the stop for the strike assembly and all mounting holes and lock cylinder holes. Measure carefully to mark the two holes away from the locking mechanism, noting the different spacings (see Fig. 1).
3. Drill $\frac{3}{16}$ " (4mm) mounting holes and other holes in the door and install lock assembly, ensuring the spindle extends at least $\frac{3}{16}$ " (5mm) (see Fig. 2 for metal doors and Fig. 3 for wood doors).
4. Remove end cap screws and remove end caps. Slide the push bar off the base to access the terminals.
5. Thread the wiring through the wiring hole near the terminals. Install the push bar base (see Fig. 4) and connect wiring (see *Sample Application and Wiring Diagram* on pg. 4). Slide the push bar back into place and replace the end caps.
6. Drill the two blind nut holes, precisely $\frac{1}{4}$ " (7mm), for the strike assembly (see Fig. 5).

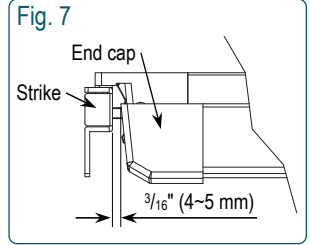
NOTE: The holes must be drilled to the precise size.

7. Insert a blind nut, put the washer on the hex screw followed by the hex tool (see Fig. 6). Turn the screw by hand into the blind nut. Use a wrench to hold the hex tool and slowly tighten the hex screw with the included hex wrench until it becomes difficult to turn. This compresses the blind nut so that it remains permanently fixed. Remove the hex screw and hex tool and repeat for the other blind nut.



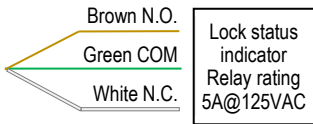
Installation (Continued)

- Install the strike assembly as shown in Fig. 5 on pg. 3. Ensure a $\frac{3}{16}$ " (4~5 mm) gap between the strike assembly and end cap (see Fig. 7). Use included spacers as needed.
- Ensure the push bar and strike are operating smoothly and the locking spindle teeth fully engage the strike before tightening the two main strike assembly screws. Drill and install the middle screw as the final step (see Fig. 5 on pg. 3).

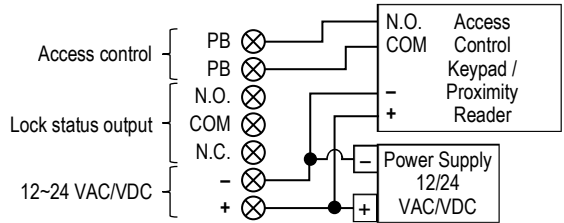


Wiring Diagram

SD-961x-36GQ Series Manual Push Bars
Connection to Lock Status Indicator



SD-961x-36GSQ Series Solenoid-Actuated Push Bars
Connection to Access Control Device



Connect lock status output according to status indicator directions

When connecting solenoid-actuated models to an access control system or a control device, note that the latch retraction duration is controlled by the connected N.O. switch.

Troubleshooting

- | | |
|---|---|
| <p>Bar does not unlock when triggered (models with solenoid)</p> <p>Buzzing sound when activated (models with solenoid)</p> <p>Device does not unlock</p> | <ul style="list-style-type: none"> • Check the input voltage (12~24 VAC/VDC) • Check that the trigger switch is operating properly • This may sometimes result when using AC voltage. Change to DC if it persists • Check back pressure on latch and adjust |
|---|---|

WARNING: The push bar is not weatherproof. Do not mount on exterior surface or where exposed to rain.

IMPORTANT: The height at which the push bar is mounted may be subject to local regulations. It is the responsibility of the installer and/or end-user customer to ensure the push bar meets all local regulations regarding the use of push bars for access security, including height, suitability for doors accessed by disabled persons, and suitability for fire doors (the push bar is not fire-rated).

IMPORTANT: Users and installers of this product are responsible for ensuring that the installation and configuration of this product complies with all national, state, and local laws and codes. SECO-LARM will not be held responsible for the use of this product in violation of any current laws or codes.

California Proposition 65 Warning: These products may contain chemicals which are known to the State of California to cause cancer and birth defects or other reproductive harm. For more information, go to www.P65Warnings.ca.gov.

WARRANTY: This SECO-LARM product is warranted against defects in material and workmanship while used in normal service for one (1) year from the date of sale to the original customer. SECO-LARM's obligation is limited to the repair or replacement of any defective part if the unit is returned, transportation prepaid, to SECO-LARM. This Warranty is void if damage is caused by or attributed to acts of God, physical or electrical misuse or abuse, neglect, repair or alteration, improper or abnormal usage, or faulty installation, or if for any other reason SECO-LARM determines that such equipment is not operating properly as a result of causes other than defects in material and workmanship. The sole obligation of SECO-LARM and the purchaser's exclusive remedy, shall be limited to the replacement or repair only, at SECO-LARM's option. In no event shall SECO-LARM be liable for any special, collateral, incidental, or consequential personal or property damage of any kind to the purchaser or anyone else.

NOTICE: The SECO-LARM policy is one of continual development and improvement. For that reason, SECO-LARM reserves the right to change specifications without notice. SECO-LARM is also not responsible for misprints. All trademarks are the property of SECO-LARM U.S.A., Inc. or their respective owners. Copyright © 2022 SECO-LARM U.S.A., Inc. All rights reserved.

SECO-LARM® U.S.A., Inc.

16842 Millikan Avenue, Irvine, CA 92606
Phone: (949) 261-2999 | (800) 662-0800

Website: www.seco-larm.com
Email: sales@seco-larm.com

PITGW1

ML_SD-961x-36GxQ_211125.docx