

4-in-1 Multi-Purpose Siren/Strobe

Installation Manual



SH-816S-SMQ/R shown



Model	Product	Mount
SH-816S-BMQ	Siren/Message/PA	Surface or back box (single-gang, double-gang, C-type)
SH-816S-SMQ/x*	Siren/Strobe/Message/PA	Surface or back box (single-gang, double-gang, C-type)

*Replace "x" with the first letter of the lens color, amber, blue, clear, or red.

The ENFORCER 4-in-1 Multi-Purpose Siren/Strobe is multiple communication and signaling devices in one: siren, internal message, broadcast, and (SH-816S-SMQ only) an LED strobe. It can connect to an external source to serve as a public address system in daily use. Depending on circumstances or application it can also sound a warning siren, playback your pre-recorded message or custom sound from internal memory, and/or be used as a PA broadcast system. The SH-816S-SMQ strobe is available with either amber, blue, clear, or red lenses.

- Multiple devices in one – siren/strobe, internal custom emergency message, and PA system
- Multiple notification types – strobe, siren, or audio (pre-recorded or broadcast)
- Multiple audio sources – siren, on-board MP3/WAV, external public address (PA) system
- Upload your own warning message (MP3 or WAV format, up to 2MB) via micro-USB port
- 9~15 VDC and low current draw
- 2 Alarm inputs – input 1 triggers 115dB siren, input 2 overrides input 1 to play custom message
- 20W Speaker for PA broadcast input (input not to exceed 2V, broadcast interrupts both alarms)
- Built-in tamper alarm output
- Weatherproof for outdoor/indoor use, IP65

Parts List

1x Device	4x Mounting screws	4x Plastic wall anchors
4x Screw gaskets	1x Back removal tool	1x Manual

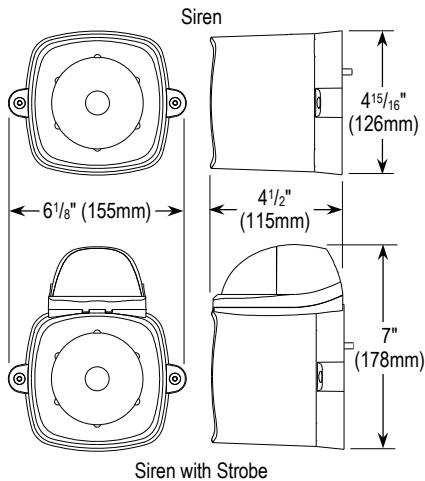
Specifications

Model	SH-816S-BMQ	SH-816S-SMQ/x*
Type	Siren/message/broadcast	Siren/message/broadcast + strobe
Operating voltage	9~15 VDC	
Alarm inputs	2x Ground trigger – input 2 (custom message/sound) overrides input 1 (siren)	
Audio in	Audio input voltage cannot exceed 2V	
Current draw	1A@12VDC	1050mA@12VDC
Siren volume	115dB	
Speaker rating	20W Peak	
Custom message	WAV or MP3 format, up to 2MB	
Upload interface	Micro-USB	
Strobe flash rate	N/A	60 per minute
Tamper output	100mA@30 VAC/VDC	
IP Rating	IP65	
Operating humidity	0~98%	
Operating temperature	-4°~131° F (-20°~55° C)	
Housing	Polycarbonate plastic	
Dimensions	6 1/8"x4 15/16"x4 1/2" (155x126x115 mm)	6 1/8"x7"x4 1/2" (155x178x115 mm)
Weight	1-lb 13-oz (812g)	2-lb 2-oz (957g)

*Replace "x" with the first letter of the desired LED lens color – amber, blue, clear, or red.

Overview

Notification Priority



Installation

1. Determine the desired location and installation—surface or to a back box.
 2. Remove the two screws from the two tabs that attach the mounting base to the main unit (See Fig. 1).
 3. Squeeze the included base removal tool and insert through the wiring access hole in the back of the unit. Release and pull carefully until the base is removed from the unit.
 4. Remove the base removal tool and turn the mounting base over to view the wiring terminals (see Fig. 2)
 5. Thread the wires (up to 8, depending on installation, see *Sample Application*, pg. 4) through the center hole in the base.
 6. Using the provided mounting screws, thread the screws through the provided gaskets and then through the four mounting holes in the base to the wall/back box. Ensure the engraved arrow on the base is pointing upward (see Fig. 2).
- NOTE:** For non-standard boxes, drill other holes engraved in oval indentations on the mounting base as needed.
7. Connect the wires to the terminals on the mounting base as shown in Fig. 3 and referring to the *Sample Application* on pg. 4. Note that audio input requires power to the PWR (+) terminal.
 8. Upload a custom message if desired (see *Recording and Uploading a Custom Message*, pg. 4).
 9. Carefully slide the main unit onto the base, ensuring the correct orientation (note the notch and arrows) and that the terminal plugs are correctly engaged (see Fig. 1).
 10. Test and remove to adjust broadcast volume as needed.
 11. Secure the main unit to the base using the two screws removed in step 2.

Fig. 1 Remove base from device

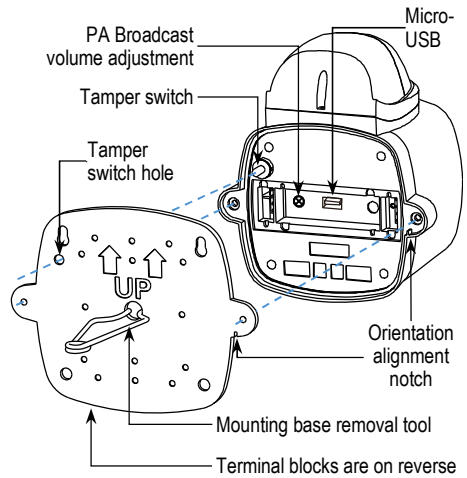


Fig. 2 Mounting base – inner side

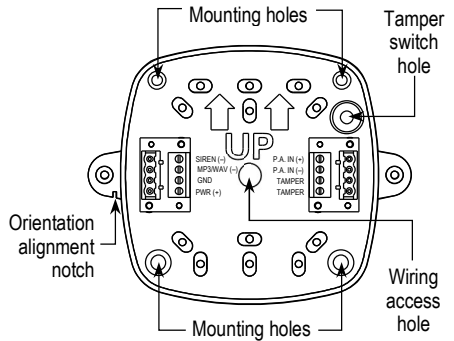
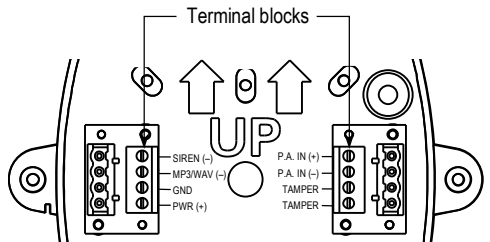


Fig. 3 Mounting base – terminal block detail



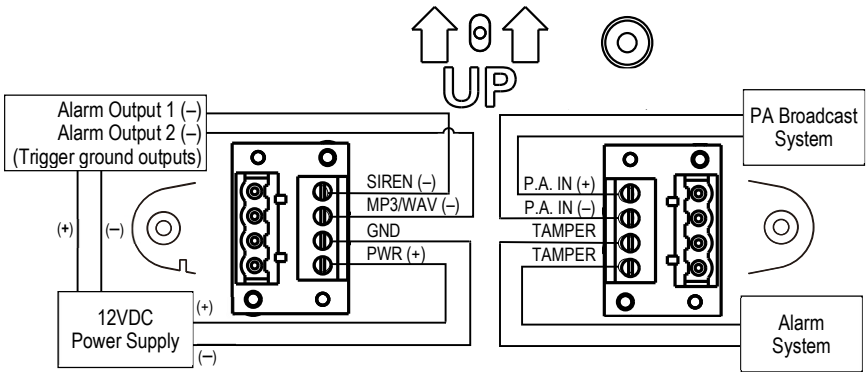
Recording and Uploading a Custom Message

1. Record a message using any audio recording app that supports the MP3 or WAV format.

NOTES:

- The device file system supports FAT12, FAT16, and FAT32. File size cannot exceed 2MB.
 - Supports MP3 format (sampling 8~48kHz, 8~128kbs) or WAV format (sampling 8/11.025/12/16/22.05/24/32/44/1/48kHz).
 - The message will loop continuously as long as the MP3/WAV (-) input is triggered.
2. Connect a computer to the device's USB input port (see Fig. 1, pg. 3) using a micro-USB cable. The device should show up as an external drive on your computer.
 3. Copy the file to the device and, after the file is completely copied, disconnect the device from your computer (consult your computer's help to learn how to disconnect an external device).

Sample Application



NOTES

- The Strobe (SH-816S-SMQ only) lights during any notification (siren, MP3/WAV message, or PA broadcast).
- The MP3/WAV message will override and interrupt the siren for the duration of the message.
- The PA broadcast is not designed for continuous use since it will override and interrupt both the MP3/WAV message/sound and the siren for the duration of the broadcast.

IMPORTANT: Users and installers of this product are responsible for ensuring that the installation and configuration of this product complies with all national, state, and local laws and codes. SECO-LARM will not be held responsible for the use of this product in violation of any current laws or codes.

California Proposition 65 Warning: These products may contain chemicals which are known to the State of California to cause cancer and birth defects or other reproductive harm. For more information, go to www.P65Warnings.ca.gov.

WARRANTY: This SECO-LARM product is warranted against defects in material and workmanship while used in normal service for one (1) year from the date of sale to the original customer. SECO-LARM's obligation is limited to the repair or replacement of any defective part if the unit is returned, transportation prepaid, to SECO-LARM. This Warranty is void if damage is caused by or attributed to acts of God, physical or electrical misuse or abuse, neglect, repair or alteration, improper or abnormal usage, or faulty installation, or if for any other reason SECO-LARM determines that such equipment is not operating properly as a result of causes other than defects in material and workmanship. The sole obligation of SECO-LARM and the purchaser's exclusive remedy, shall be limited to the replacement or repair only, at SECO-LARM's option. In no event shall SECO-LARM be liable for any special, collateral, incidental, or consequential personal or property damage of any kind to the purchaser or anyone else.

NOTICE: The SECO-LARM policy is one of continual development and improvement. For that reason, SECO-LARM reserves the right to change specifications without notice. SECO-LARM is also not responsible for misprints. All trademarks are the property of SECO-LARM U.S.A., Inc. or their respective owners. Copyright © 2023 SECO LARM U.S.A., Inc. All rights reserved.

SECO-LARM® U.S.A., Inc.

16842 Millikan Avenue, Irvine, CA 92606
Phone: (949) 261-2999 | (800) 662-0800

Website: www.seco-larm.com
Email: sales@seco-larm.com

