

ENFORCER®

Everything CCTV

We've got you covered!

IP Cameras

NVR

NVR & Camera Kits



SECO-LARM Offers a Complete Line of ENFORCER CCTV Products



SECO-LARM®

HDMI®
HIGH-DEFINITION MULTIMEDIA INTERFACE

ONVIF® | GST

NDAA
COMPLIANT

NVR and Camera Kits



DRN-K104-04 4K 4-Channel NVR + 4 IP 5MP Cameras + 2TB HDD

DRN-K108-06 4K 8-Channel NVR + 6 IP 5MP Cameras + 2TB HDD

DRN-K116-12 4K 16-Channel NVR + 12 IP 5MP Cameras + 4TB HDD

ENFORCER Surveillance Kits offer all the elements of an easy plug-and-play installation. The included IP cameras provide excellent picture quality with True Wide Dynamic Range (WDR) and Digital Noise Reduction (3DNR). The NVR features built-in AI functions for multiple security purposes. The kits are suitable for various applications due to their cost-effectiveness and simple-to-install design.



DRN-K104-04

NVR Features

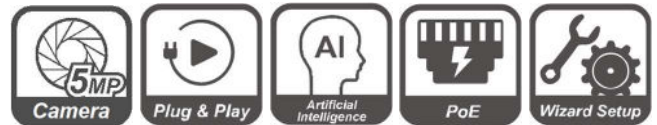
- EV-N2506-2W4WQ 5MP 2.8mm Turret Cameras included
- Compatible with 8MP (4K) IP Cameras
- Wizard assistance for easy first-time setup
- Plug-and-Play
- Built-in PoE ports (IEEE 802.3af/at)
- VGA and HDMI outputs with up to 4K resolution
- Includes one 2TB HDD
- Other HDD sizes available by special order, including 1/2/4/6/8/10 TB
- ONVIF® profiles G, S, and T conformant
- Easy app setup with QR code
- Tri-stream encoding
- Live view recording and playback up to 4K@30FPS
- P2P for simple remote connections using PC or mobile device
- 9 AI functions including human and vehicle detection (additional functions with EV-N2806-2W4WQ 8MP Turret Camera)

DRN-116-4TB Additional Features

- Includes 4TB HDD
- Supports up to 2 HDD
- 8 Sensor inputs, 1 alarm relay output
- Live view recording and playback up to 4K@45FPS

Camera Features

- 1/2.7" 5MP SmartSens CMOS sensor
- 30FPS@5MP (2880x1620)
- 2.8mm lens
- H.265, H.264, and MJPEG
- True Wide Dynamic Range (WDR)
- Digital Noise Reduction (3DNR)
- True Day & Night function with ICR module
- IP66 Weatherproof
- IR Range 98' (30mm)
- Smart IRs adjust IR strength to conditions



AI Functions

- Face detection
 - Human & vehicle detection
 - Perimeter intrusion detection
 - Line crossing detection
 - Stationary object detection
 - Cross counting
 - Heat map
 - Crowd density detection
 - Queue length detection
- With EV-N2806-2W4WQ 8MP Turret Camera (optional)**
- Facial recognition
 - License plate detection
 - License plate recognition

ONVIF is a trademark of ONVIF, Inc.

The Adopted Trademarks HDMI, HDMI High-Definition Multimedia Interface, HDMI trade dress and the HDMI Logos are trademarks or registered trademarks of HDMI Licensing Administrator, Inc. in the United States and other countries.



Camera Specifications

Image sensor	1/2.7" 5MP SmartSens CMOS sensor
Effective pixels	2880(H)x1620(V)
Scanning system	Progressive scan
Electronic shutter speed	Auto, manual; 1/5 s to 1/20,000 s
Minimum illumination	Color: 0.1Lux at F1.2 (AGC on) 0Lux with IR on
IR Distance	Distance up to 98' (30m)
IR On/Off control	Auto, manual
IR LEDs	2pcs (850nm) LEDs
Focal length	2.8mm
Maximum aperture	F1.6
Field of view	Horizontal: 110°, Vertical: 58°, Diagonal:133°
Bit rate control	CBR/VBR
Bit rate	Main stream: 256 to 8192 Kbps, Sub stream: 128 to 4096 Kbps, Mobile stream: 8 to 1536 Kbps
Backlight	Disable (default) BLC, HLC, True WDR
White balance	Auto
Gain control	Auto
Noise reduction	3DNR
Smart IR	Support
Image rotation	0°, 180°
Mirror	Disable, vertical, horizontal, all
Privacy masking	Off, on (4 areas, rectangle)

Other Kit Photos



DRN-K108-06



DRN-K116-12

NVR Specifications

Model	DRN-K104-04	DRN-K108-06	DRN-K116-12
IP Camera included	4x EV-N2506-2W4WQ	6x EV-N2506-2W4WQ	12x EV-N2506-2W4WQ
Video			
Camera support	Up to 8MP (4K)		
Incoming bandwidth	50Mbps	76Mbps	112Mbps
Outgoing bandwidth	48Mbps	32Mbps	96Mbps
HDMI Output	1024x768, 1280x720, 1280x1024, 1440x900, 1920x1080, 2560x1440, 3840x2160 (4K)		
VGA Output	1024x768, 1280x720, 1280x1024, 1440x900, 1920x1080		
Frame rate	4K: Up to 30FPS, 4MP: Up to 60FPS, 2MP: Up to 120FPS		4K: Up to 45FPS, 4MP: Up to 90FPS, 2MP: Up to 180FPS
Compression	H.265+, H.265, H.264+, H.264		
AI	Support		
Playback functions	Fast forward / backward (2x, 4x, 8x, 16x), Slow forward (1/2x, 1/4x, 1/8x, 1/16x)		
User Interface			
Local	UI5.0		
Web	IE10/11, Safari V12.1 above, Firefox V.52 above, Google Chrome V.57 above, Edge V.79 above		
Auxiliary Interface			
HDMI Output	1 Output		
VGA Output	1 Output		
POE Input	4x RJ45	8x RJ45	16x RJ45
USB	USB 2.0 x 1 front & 1 rear		
Alarm I/O	None	None	8 In / 1 Out
Included HDD	2TB SATA		4TB SATA
Internal storage capacity	1 SATA HDD, up to 10TB	1 SATA HDD, up to 10TB	2 SATA, each HDD up to 10TB
General			
Power supply	48VDC@1.2A	48VDC@1.5A	48VDC@3.75A
Power consumption	5W	6W	8W
Dimensions (WxDxH)	11 ¹¹ / ₁₆ " x 8 ¹⁵ / ₁₆ " x 2 ¹ / ₁₆ " (300x227x53 mm)		14 ⁷ / ₈ " x 13 ³ / ₈ " x 2" (378x340x50 mm)
Operating temperature	32°~104°F (0°~40°C)		
Humidity	Less than 90%RH		

4K Network Video Recorders



DRN-104-2TB 4-Channel, 2TB HDD

DRN-108-2TB 8-Channel, 2TB HDD

DRN-116-4TB 16-Channel, 4TB HDD

The ENFORCER Network Video Recorder offers 4K and H.265 High Efficiency Video Coding, reducing bandwidth and storage requirements without giving up video quality. These NVRs are perfect for a wide range of applications due to their cost-effectiveness and simple-to-install design.

Features

- Compatible with up to 8MP (4K) IP Cameras
- QR code and Wizard assistance for easy first-time setup
- Plug-and-Play
- Built-in PoE Ports (IEEE 802.3af/at)
- VGA and HDMI outputs with up to 4K resolution
- Other HDD sizes available by special order, including 1/2/4/6/8/10 TB
- ONVIF® profiles G, S, and T conformant
- Tri-stream encoding
- Live view recording and playback up to 4K@30FPS
- P2P for simple remote connections using PC or mobile device

DRN-116-4TB Additional Features

- Supports up to two HDDs
- Live view recording and playback up to 4K@45FPS
- 8 Sensor inputs, 1 alarm relay output

AI Functions

- Face detection
 - Human & vehicle detection
 - Perimeter intrusion detection
 - Line crossing detection
 - Stationary object detection
 - Cross counting
 - Heat map
 - Crowd density detection
 - Queue length detection
- With EV-N2806-2W4WQ 8MP Turret**
- Facial recognition
 - License plate detection
 - License plate recognition



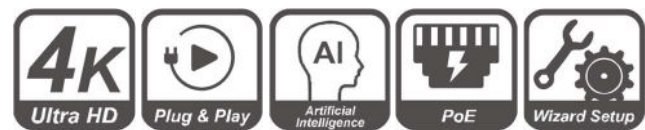
DRN-104-2TB



DRN-108-2TB



DRN-116-4TB

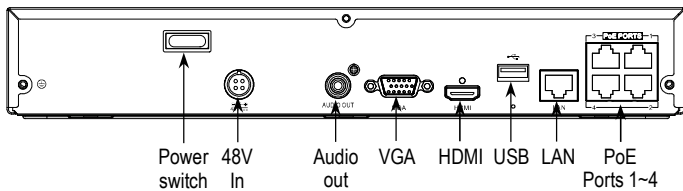


Specifications

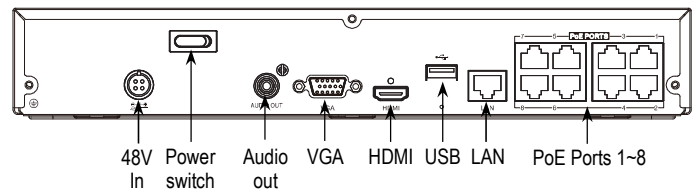
Model	DRN-104-2TB	DRN-108-2TB	DRN-116-4TB
Video			
Resolution	8MP (4K), 5MP, 2MP (1080p), 1.3MP (960p), 1.0MP (720p)		
Incoming bandwidth	50Mbps	76Mbps	112Mbps
Outgoing bandwidth	48Mbps	32Mbps	96Mbps
HDMI Output	1024x768, 1280x720, 1280x1024, 1440x900, 1920x1080, 2560x1440, 3840x2160 (4K)		
VGA Output	1024x768, 1280x720, 1280x1024, 1440x900, 1920x1080		
Frame rate	4K: Up to 30FPS 4MP: Up to 60FPS 2MP: Up to 120FPS		4K: Up to 45FPS 4MP: Up to 90FPS 2MP: Up to 180FPS
Compression	H.265+/H.265/H.264+/H.264		
AI	Support		
Playback function	Fast forward / backward (2x, 4x, 8x, 16x) Slow forward (1/2x, 1/4x, 1/8x, 1/16x)		
User Interface			
Local	UI5.0		
Web	IE10/11, Safari V12.1 above, Firefox V.52 above, Google Chrome V.57 above, Edge V.79 above		
Auxiliary Interface			
HDMI Output	1 Output		
VGA Output	1 Output		
POE Input	4x RJ45	8x RJ45	16x RJ45
USB	USB 2.0 x 1 front & 1 rear		
Alarm I/O	None	None	8 In / 1 Out
Included HDD	2TB SATA		4TB SATA
Internal storage capacity	1 SATA HDD, up to 10TB	1 SATA HDD, up to 10TB	2 SATA, up to 10TB each
General			
Power supply	48VDC@1.2A	48VDC@1.5A	48VDC@3.75A
Power consumption	5W	6W	8W
Dimensions	11 ¹³ / ₁₆ "x8 ¹⁵ / ₁₆ "x2 ¹ / ₁₆ " (300x227x53 mm)		14 ⁷ / ₈ "x13 ³ / ₈ "x2" (378x340x50 mm)
Operating temperature	32°~104°F (0°~40°C)		
Humidity	Less than 90%RH		

Rear Panel Overview

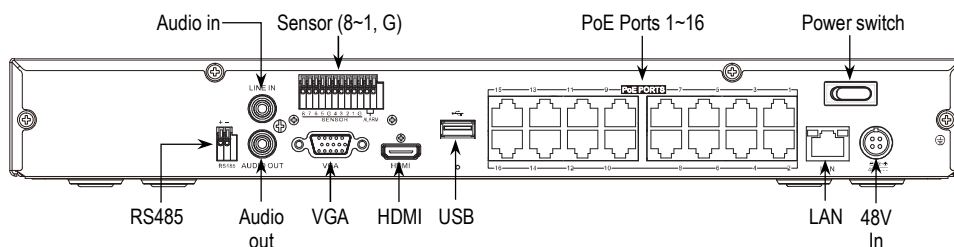
4 Channels



8 Channels



16 Channels



IP 5MP Motorized 2.8~12 mm Turret Camera

EV-N2506-NW4WQ 2.8~12 mm

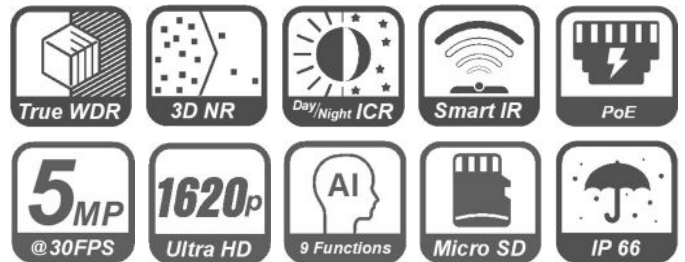


The ENFORCER Motorized Turret Camera offers high-resolution video and advanced technology in a compact and accessible package. The camera features H.265 video compression, reducing bandwidth and storage requirements without giving up video quality. With True Wide Dynamic Range (WDR), Digital Noise Reduction (3DNR) and Day/Night (ICR) capabilities, the camera provides excellent picture quality.



Features

- 1/2.7" 5MP SmartSens CMOS Sensor
- 30FPS@5MP, 1620p (2880x1620)
- 2.8~12 mm Lens
- Triple Stream Encoding: H.265, H.264 and MJPEG
- True Wide Dynamic Range (WDR)
- Digital Noise Reduction (3DNR)
- True Day & Night Function with ICR Module
- ICR Sensitivity adjustment
- Corridor mode
- Operating temperature: -40°~131° F (-40°~55° C)
- IP66 Weatherproof
- IR Range 147' (45m)
- Smart IRs adjust IR strength to conditions
- MicroSD slot (512GB max)
- PoE (IEEE 802.3af), 12VDC
- ONVIF® profiles G, S, and T conformant



AI Functions

- Face detection
- Human & vehicle detection
- Perimeter intrusion detection
- Line crossing detection
- Stationary object detection
- Cross counting
- Heat map
- Crowd density detection
- Queue length detection

Camera

Image sensor	1/2.7" 5MP SmartSens CMOS
Effective pixels	2880(H)x1620(V)
Scanning system	Progressive scan
Electronic shutter speed	Auto, Manual; 1/5 s to 1/20,000 s
Minimum illumination	Color: 0.002Lux at F1.2 (AGC on) 3Lux with IR on
IR Distance	Distance up to 147' (45m)
IR On/Off control	Auto, manual
IR LEDs	4x850nm LEDs

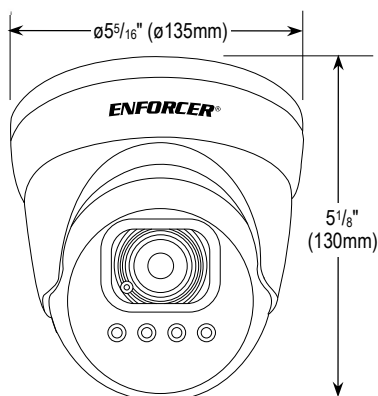
Lens

Lens type	Motorized
Focal length	2.8~12 mm
Maximum aperture	F1.8~3.3
Field of view	Horizontal: 107°~33.6° Vertical: 54.7°~18.90° Diagonal: 133.7°~37.6°

Video

Compression	H.265, H.264
Streaming capability	Triple (3) streams
Resolution	2880x1620, 2560x1440, 2304x1296, 1080p (1920x1080), 720p (1280x720)
Bit rate control	CBR/VBR
Bit rate	Main stream: 256 to 8192 Kbps Sub stream: 128 to 4096 Kbps Mobile stream: 8 to 1536 Kbps
Backlight	Disable (default), BLC, HLC, True WDR
White balance	Auto
Gain control	Auto
Noise reduction	3D DNR
Smart IR	Support
Image rotation	0°, 180°
Mirror	Disable, vertical, horizontal, all
Privacy masking	Off, on (4 areas, rectangle)
Region of interest	Support

Dimensions



Network

Ethernet	RJ45
Protocol	TCP/IP, HTTP, DHCP, DNS, DDNS, RTP, RTSP, SMTP, NTP, UPnP, SNMP, HTTPS, FTP
Interoperability	ONVIF® profiles G, S, and T conformant
Auto register	Support
Streaming method	Multicast
Max. user access	7
Web viewer	IE, Chrome, Firefox, Edge
On-board storage	Built in memory slot Supports up to 512GB MicroSD/SDHC/SDXC

Certifications

Certifications	CE, FCC, RoHS
ONVIF®	Profiles G, S, and T conformant
NDAA	Compliant

Electrical

Power supply	12VDC, or PoE (IEEE 802.3af Class 0)
Power consumption	<6 W

Environmental

Operating conditions	-40°~131° F (-40°~55° C) Less Than 95% RH
Storage conditions	-40°~140° F (-40°~60° C)
IP Rating	IP66 Weatherproof

Construction

Casting	Metal
Dimensions	ø5 5/16" x 5 1/8" (ø135x130 mm)
Weight	1-lb 9.6-oz (725g)

Accessories

Junction Box



EV-STWQ

IP 5MP 2.8mm Turret Camera

EV-N2506-2W4WQ 2.8mm Lens

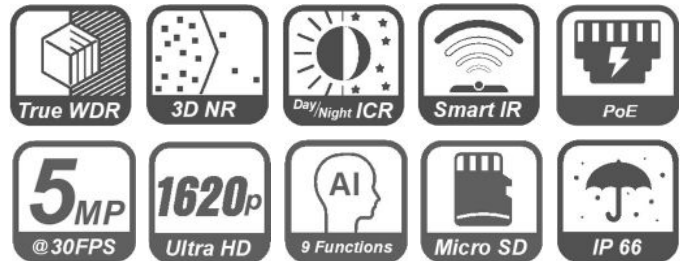


The ENFORCER Fixed Turret Camera offers high-resolution video and advanced technology in a compact and accessible package. The camera features H.265 video compression, reducing bandwidth and storage requirements without giving up video quality. With True Wide Dynamic Range (WDR), Digital Noise Reduction (3DNR) and Day/Night (ICR) capabilities, the camera provides excellent picture quality.



Features

- 1/2.7" 5MP SmartSens CMOS Sensor
- 30FPS@5MP, 1620p (2880x1620)
- 2.8mm Lens
- Triple Stream Encoding: H.265, H.264 and MJPEG
- True Wide Dynamic Range (WDR)
- Digital Noise Reduction (3DNR)
- True Day & Night Function with ICR Module
- ICR Sensitivity adjustment
- Corridor mode
- Operating temperature: -40°~131° F (-40°~55° C)
- IP66 Weatherproof
- IR Range 98' (30m)
- Smart IRs adjust IR strength to conditions
- MicroSD slot (512GB max)
- PoE (IEEE 802.3af), 12VDC
- ONVIF® profiles G, S, and T conformant



AI Functions

- Face detection
- Human & vehicle detection
- Perimeter intrusion detection
- Line crossing detection
- Stationary object detection
- Cross counting
- Heat map
- Crowd density detection
- Queue length detection

Camera

Image sensor	1/2.7" 5MP SmartSens CMOS
Effective pixels	2880(H)x1620(V)
Scanning system	Progressive scan
Electronic shutter speed	Auto, Manual; 1/5 s to 1/20,000 s
Minimum illumination	Color: 0.1Lux at F1.2 (AGC on) 0Lux with IR on
IR Distance	Distance up to 98' (30m)
IR On/Off control	Auto, manual
IR LEDs	2x850nm LEDs

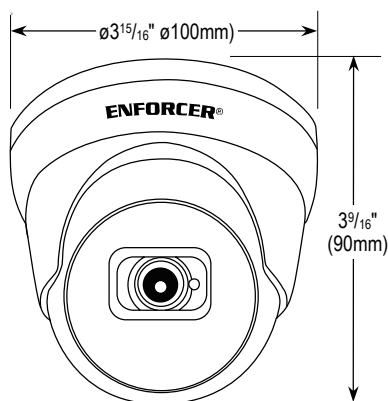
Lens

Lens type	Fixed
Focal length	2.8mm
Maximum aperture	F1.6
Field of view	Horizontal: 110° Vertical: 58° Diagonal: 133°

Video

Compression	H.265, H.264
Streaming capability	Triple (3) streams
Resolution	2880x1620, 2560x1440, 2304x1296, 1080p (1920x1080), 720p (1280x720)
Bit rate control	CBR/VBR
Bit rate	Main stream: 256 to 8192 Kbps Sub stream: 128 to 4096 Kbps Mobile stream: 8 to 1536 Kbps
Backlight	Disable (default), BLC, HLC, True WDR
White balance	Auto
Gain control	Auto
Noise reduction	3D DNR
Smart IR	Support
Image rotation	0°, 180°
Mirror	Disable, vertical, horizontal, all
Privacy masking	Off, on (4 areas, rectangle)
Region of interest	Support

Dimensions



Network

Ethernet	RJ45
Protocol	TCP/IP, HTTP, DHCP, DNS, DDNS, RTP, RTSP, SMTP, NTP, UPnP, SNMP, HTTPS, FTP
Interoperability	ONVIF® profiles G, S, and T conformant
Auto register	Support
Streaming method	Multicast
Max. user access	7
Web viewer	IE, Chrome, Firefox, Edge
On-board storage	Built in memory slot Supports up to 512GB MicroSD/SDHC/SDXC

Certifications

Certifications	CE, FCC, RoHS
ONVIF®	Profiles G, S, and T conformant
NDAA	Compliant

Electrical

Power supply	12VDC, or PoE (IEEE 802.3af Class 0)
Power consumption	<6 W

Environmental

Operating conditions	-40°~131° F (-40°~55° C) Less Than 95% RH
Storage conditions	-40°~140° F (-40°~60° C)
IP Rating	IP66 Weatherproof

Construction

Casting	Metal
Dimensions	$\varnothing 3\frac{15}{16}$ "x $3\frac{9}{16}$ " ($\varnothing 100$ x90 mm)
Weight	13.05-oz (370g)

Accessories

Junction Box



EV-SSWQ

IP 5MP Full Color 2.8mm Turret Camera

EV-N2506-2W4WLQ Full Color, 2.8mm

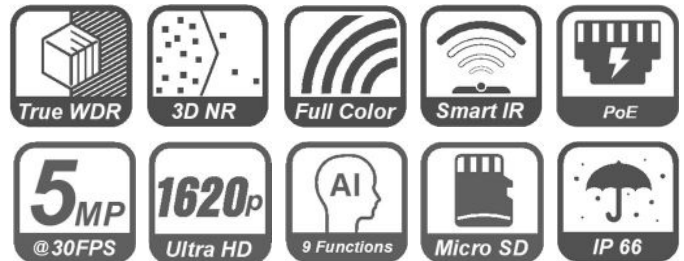


The ENFORCER Full Color Turret Camera offers high-resolution video and advanced technology in a compact and accessible package. The built-in Warm Light can provide colorful display 24/7, or act as a deterrent warning light depending on the user's preference. With True Wide Dynamic Range (WDR), and Digital Noise Reduction (3DNR), the camera provides excellent picture quality.



Features

- Colorful Display 24/7
- 1/2.7" 5MP SmartSens CMOS Sensor
- 30FPS@5MP, 1620p (2880x1620)
- 2.8mm Lens
- Triple Stream Encoding: H.265, H.264 and MJPEG
- True Wide Dynamic Range (WDR)
- Digital Noise Reduction (3DNR)
- True Day & Night Function with ICR Module
- ICR Sensitivity adjustment
- Corridor mode
- Operating temperature: -40°~131° F (-40°~55° C)
- IP66 Weatherproof
- IR Range 98' (30m)
- White LED 120°
- Smart IRs adjust IR strength to conditions
- MicroSD slot (512GB max)
- PoE (IEEE 802.3af), 12VDC
- ONVIF® profiles G, S, and T conformant



AI Functions

- Face detection
- Human & vehicle detection
- Perimeter intrusion detection
- Line crossing detection
- Stationary object detection
- Cross counting
- Heat map
- Crowd density detection
- Queue length detection

Camera

Image sensor	1/2.7" 5MP SmartSens CMOS	
Effective pixels	2880(H)x1620(V)	
Scanning system	Progressive scan	
Electronic shutter speed	Auto, Manual; 1/5 s to 1/20,000 s	
Minimum illumination	Color: 0.1Lux at F1.2 (AGC on) 0Lux with IR on	
IR Distance	Distance up to 98' (30m)	
IR On/Off control	Auto, manual	
IR LEDs	2x850nm white LEDs	
Warm light	Quantity	2 with LEDs
	Distance	25m
	Bowl degree	120°

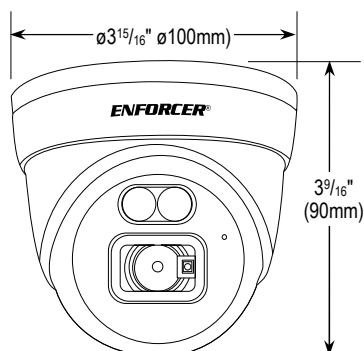
Lens

Lens type	Fixed
Focal length	2.8mm
Maximum aperture	F1.6
Field of view	Horizontal: 110° Vertical: 58° Diagonal: 133°

Video

Compression	H.265, H.264
Streaming capability	Triple (3) streams
Resolution	2880x1620, 2560x1440, 2304x1296, 1080p (1920x1080), 720p (1280x720)
Bit rate control	CBR/VBR
Bit rate	Main stream: 256 to 8192 Kbps Sub stream: 128 to 4096 Kbps Mobile stream: 8 to 1536 Kbps
Backlight	Disable (default), BLC, HLC, True WDR
White balance	Auto
Gain control	Auto
Noise reduction	3D DNR
Smart IR	Support
Image rotation	0°, 180°
Mirror	Disable, vertical, horizontal, all
Privacy masking	Off, on (4 areas, rectangle)
Region of interest	Support

Dimensions



Network

Ethernet	RJ45
Protocol	TCP/IP, HTTP, DHCP, DNS, DDNS, RTP, RTSP, SMTP, NTP, UPnP, SNMP, HTTPS, FTP
Interoperability	ONVIF® profiles G, S, and T conformant
Auto register	Support
Streaming method	Multicast
Max. user access	7
Web viewer	IE, Chrome, Firefox, Edge
On-board storage	Built in memory slot Supports up to 512GB MicroSD/SDHC/SDXC

Certifications

Certifications	CE, FCC, RoHS
ONVIF®	Profiles G, S, and T conformant
NDAA	Compliant

Electrical

Power supply	12VDC, or PoE (IEEE 802.3af Class 0)
Power consumption	<6 W

Environmental

Operating conditions	-40°~131° F (-40°~55° C) Less Than 95% RH
Storage conditions	-40°~140° F (-40°~60° C)
IP Rating	IP66 Weatherproof

Construction

Casting	Metal
Dimensions	$\text{ø}3\frac{15}{16}$ "x $3\frac{9}{16}$ " ($\text{ø}100$ x 90 mm)
Weight	13.05-oz (370g)

Accessories

Junction Box



EV-SSWQ

IP 4K 2.8mm Turret Camera

EV-N2806-2W4WQ 2.8mm Lens

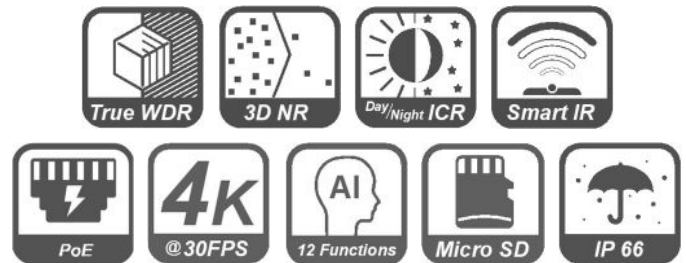


The ENFORCER fixed turret camera offers 4K-resolution video and advanced technology in a compact and accessible package. The camera features H.265 video compression, reducing bandwidth and storage requirements without giving up video quality. With True Wide Dynamic Range (WDR), Digital Noise Reduction (3DNR) and Day/Night (ICR) capabilities the camera provides excellent picture quality.



Features

- 1/2.8" 8MP Sony CMOS Sensor
- 30FPS@4K, 2160p (3840x2160)
- 2.8mm Lens
- Triple Stream Encoding
- H.265, H.264 and MJPEG
- True Wide Dynamic Range (WDR)
- Digital Noise Reduction (3DNR)
- True Day & Night Function ICR Module
- ICR Sensitivity adjustment
- Corridor mode
- Operating temperature: -40°~131° F (-40°~55° C)
- IP66 Weatherproof
- IR Range 98' (30m)
- Smart IRs adjust IR strength to conditions
- MicroSD slot (512GB max)
- PoE (IEEE 802.3af), 12VDC
- ONVIF® profiles G, S, and T conformant



AI Functions

- Face detection
- Face recognition
- Human & vehicle detection
- Perimeter intrusion detection
- Line crossing detection
- Stationary object detection
- Cross counting
- Heat map
- Crowd density detection
- Queue length detection
- License plate detection
- License plate recognition

Camera

Image sensor	1/2.8" 8MP Sony CMOS
Effective pixels	3840(H)x2160(V)
Scanning system	Progressive scan
Electronic shutter speed	Auto, Manual; 1/5 s to 1/20,000 s
Minimum illumination	Color: 0.005Lux at F1.2 (AGC on) 1Lux with IR on
IR Distance	Distance up to 98' (30m)
IR On/Off control	Auto, manual
IR LEDs	2x850nm LEDs

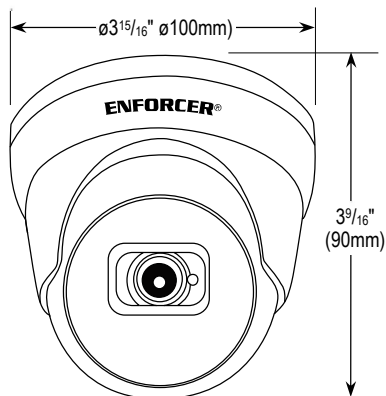
Lens

Lens type	Fixed
Focal length	2.8mm
Maximum aperture	F1.6
Field of view	Horizontal: 105° Vertical: 56° Diagonal: 126°

Video

Compression	H.265, H.264
Streaming capability	Triple (3) streams
Resolution	2880x1620, 2560x1440, 2304x1296, 1080p (1920x1080), 720p (1280x720)
Bit rate control	CBR/VBR
Bit rate	Main stream: 256 to 16384 Kbps Sub stream: 128 to 4096 Kbps Mobile stream: 8 to 1536 Kbps
Backlight	Disable (default) BLC, HLC, True WDR
White balance	Auto
Gain control	Auto
Noise reduction	3D DNR
Smart IR	Support
Image rotation	0°, 180°
Mirror	Disable, vertical, horizontal, all
Privacy masking	Off, on (4 areas, rectangle)
Region of interest	Support

Dimensions



Network

Ethernet	RJ45
Protocol	TCP/IP, HTTP, DHCP, DNS, DDNS, RTP, RTSP, SMTP, NTP, UPnP, SNMP, HTTPS, FTP
Interoperability	ONVIF® profiles G, S, and T conformant
Auto register	Support
Streaming method	Multicast
Max. user access	7
Web viewer	IE, Chrome, Firefox, Edge
On-board storage	Built in memory slot Supports up to 512GB MicroSD/SDHC/SDXC

Certifications

Certifications	CE, FCC, RoHS
ONVIF®	Profiles G, S, and T conformant
NDAA	Compliant

Electrical

Power supply	12VDC, or PoE (IEEE 802.3af Class 0)
Power consumption	<6 W

Environmental

Operating conditions	-40°~131° F (-40°~55° C) Less Than 95% RH
Storage conditions	-40°~140° F (-40°~60° C)
IP Rating	IP66 Weatherproof

Construction

Casting	Metal
Dimensions	$\varnothing 3\frac{15}{16}$ "x $3\frac{9}{16}$ " ($\varnothing 90$ x90 mm)
Weight	13.05-oz (370g)

Accessories

Junction Box



EV-SSWQ

IP 5MP Motorized 2.8~12 mm Bullet Camera

EV-N1506-NW4WQ 2.8~12 mm Lens

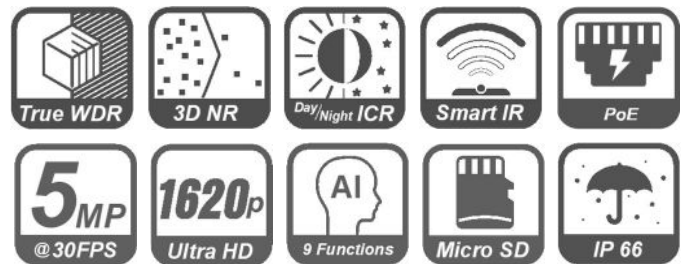


The ENFORCER Motorized Bullet Camera offers high-resolution video and advanced technology in a compact and accessible package. The camera features H.265 video compression, reducing bandwidth and storage requirements without giving up video quality. With True Wide Dynamic Range (WDR), Digital Noise Reduction (3DNR) and Day/Night (ICR) capabilities the camera provides excellent picture quality.



Features

- 1/2.7" 5MP SmartSens CMOS Sensor
- 30FPS@5MP, 1620p (2880x1620)
- 2.8~12 mm Lens
- Triple Stream Encoding: H.265, H.264 and MJPEG
- True Wide Dynamic Range (WDR)
- Digital Noise Reduction (3DNR)
- True Day & Night Function with ICR Module
- ICR Sensitivity adjustment
- Corridor mode
- Operating temperature: -40°~131° F (-40°~55° C)
- IP66 Weatherproof
- IR Range 147' (45m)
- Smart IRs adjust IR strength to conditions
- MicroSD slot (512GB max)
- PoE (IEEE 802.3af), 12VDC
- ONVIF® profiles G, S, and T conformant



AI Functions

- Face detection
- Human & vehicle detection
- Perimeter intrusion detection
- Line crossing detection
- Stationary object detection
- Cross counting
- Heat map
- Crowd density detection
- Queue length detection

Camera

Image sensor	1/2.7" 5MP SmartSens CMOS
Effective pixels	2880(H)x1620(V)
Scanning system	Progressive scan
Electronic shutter speed	Auto, Manual; 1/5 s to 1/20,000 s
Minimum illumination	Color: 0.002Lux at F1.2 (AGC on) 3Lux with IR on
IR Distance	Distance up to 147" (45m)
IR On/Off control	Auto, manual
IR LEDs	4x850nm LEDs

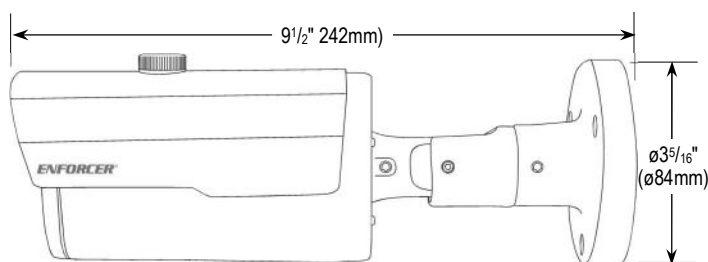
Lens

Lens type	Motorized
Focal length	2.8~12 mm
Maximum aperture	F1.8~3.3
Field of view	Horizontal: 107°~33.6° Vertical: 54.7°~18.90° Diagonal: 133.7°~37.6°

Video

Compression	H.265, H.264
Streaming capability	Triple (3) streams
Resolution	2880x1620, 2560x1440, 2304x1296, 1080p (1920x1080), 720p (1280x720)
Bit rate control	CBR/VBR
Bit rate	Main stream: 256 to 8192 Kbps Sub stream: 128 to 4096 Kbps Mobile stream: 8 to 1536 Kbps
Backlight	Disable (default) BLC, HLC, True WDR
White balance	Auto
Gain control	Auto
Noise reduction	3D DNR
Smart IR	Support
Image rotation	0°, 180°
Mirror	Disable, vertical, horizontal, all
Privacy masking	Off, on (4 areas, rectangle)
Region of interest	Support

Dimensions



Network

Ethernet	RJ45
Protocol	TCP/IP, HTTP, DHCP, DNS, DDNS, RTP, RTSP, SMTP, NTP, UPnP, SNMP, HTTPS, FTP
Interoperability	ONVIF® profiles G, S, and T conformant
Auto register	Support
Streaming method	Multicast
Max. user access	7
Web viewer	IE, Chrome, Firefox, Edge
On-board storage	Built in memory slot Supports up to 512GB MicroSD/SDHC/SDXC

Certifications

Certifications	CE, FCC, RoHS
ONVIF®	Profiles G, S, and T conformant
NDAA	Compliant

Electrical

Power supply	12VDC, or PoE (IEEE 802.3af Class 0)
Power consumption	<6 W

Environmental

Operating conditions	-40°~131° F (-40°~55° C) Less Than 95% RH
Storage conditions	-40°~140° F (-40°~60° C)
IP Rating	IP66 Weatherproof

Construction

Casting	Metal
Dimensions	3 5/16"x9 1/2" (84x242 mm)
Weight	21.87-oz (620g)

Accessories

Junction Box



EV-SCWQ

IP 5MP 2.8mm Bullet Camera

EV-N1506-2W4WQ 2.8mm Lens

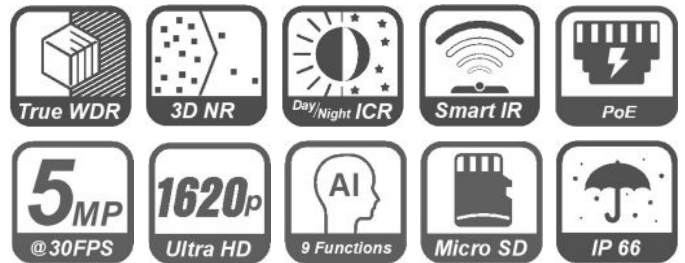


The ENFORCER Fixed Bullet Camera offers high-resolution video and advanced technology in a compact and accessible package. The camera features H.265 video compression, reducing bandwidth and storage requirements without giving up video quality. With True Wide Dynamic Range (WDR), Digital Noise Reduction (3DNR) and Day/Night (ICR) capabilities, the camera provides excellent picture quality.



Features

- 1/2.7" 5MP SmartSens CMOS Sensor
- 30FPS@5MP, 1620p (2880x1620)
- 2.8mm Lens
- Triple Stream Encoding: H.265, H.264 and MJPEG
- True Wide Dynamic Range (WDR)
- Digital Noise Reduction (3DNR)
- True Day & Night Function with ICR Module
- ICR Sensitivity adjustment
- Corridor mode
- Operating temperature: -40°~131° F (-40°~55° C)
- IP66 Weatherproof
- IR Range 98' (30m)
- Smart IRs adjust IR strength to conditions
- MicroSD slot (512GB max)
- PoE (IEEE 802.3af), 12VDC
- ONVIF® profiles G, S, and T conformant



AI Functions

- Face detection
- Human & vehicle detection
- Perimeter intrusion detection
- Line crossing detection
- Stationary object detection
- Cross counting
- Heat map
- Crowd density detection
- Queue length detection

Camera

Image sensor	1/2.7" 5MP SmartSens CMOS
Effective pixels	2880(H)x1620(V)
Scanning system	Progressive scan
Electronic shutter speed	Auto, Manual; 1/5 s to 1/20,000 s
Minimum illumination	Color: 0.1Lux at F1.2 (AGC on) 0Lux with IR on
IR Distance	Distance up to 98' (30m)
IR On/Off control	Auto, manual
IR LEDs	2x850nm LEDs

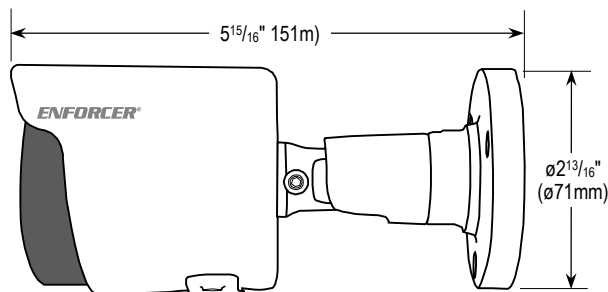
Lens

Lens type	Fixed
Focal length	2.8mm
Maximum aperture	F1.6
Field of view	Horizontal: 110° Vertical: 58° Diagonal: 133°

Video

Compression	H.265, H.264
Streaming capability	Triple (3) streams
Resolution	2880x1620, 2560x1440, 2304x1296, 1080p (1920x1080), 720p (1280x720)
Bit rate control	CBR/VBR
Bit rate	Main stream: 256 to 8192 Kbps Sub stream: 128 to 4096 Kbps Mobile stream: 8 to 1536 Kbps
Backlight	BLC, HLC, True WDR
White balance	Auto
Gain control	Auto
Noise reduction	3D DNR
Smart IR	Support
Image rotation	0°, 180°
Mirror	Disable, vertical, horizontal, all
Privacy masking	Off, on (4 areas, rectangle)
Region of interest	Support

Dimensions



Network

Ethernet	RJ45
Protocol	TCP/IP, HTTP, DHCP, DNS, DDNS, RTP, RTSP, SMTP, NTP, UPnP, SNMP, HTTPS, FTP
Interoperability	ONVIF® profiles G, S, and T conformant
Auto register	Support
Streaming method	Multicast
Max. user access	7
Web viewer	IE, Chrome, Firefox, Edge
On-board storage	Built in memory slot Supports up to 512GB MicroSD/SDHC/SDXC

Certifications

Certifications	CE, FCC, RoHS
ONVIF®	Profiles G, S, and T conformant
NDAA	Compliant

Electrical

Power supply	12VDC, or PoE (IEEE 802.3af Class 0)
Power consumption	<6 W

Environmental

Operating conditions	-40°~131° F (-40°~55° C) Less Than 95% RH
Storage conditions	-40°~140° F (-40°~60° C)
IP Rating	IP66 Weatherproof

Construction

Casting	Metal
Dimensions	ø2 13/16" x 5 15/16" (ø71x151 mm)
Weight	9.7-oz (275g)

Accessories

Junction Box



EV-SCWQ

IP 5MP Motorized 2.8~12 mm Vandal Dome Camera

EV-N2506-NW4WAQ 2.8~12 mm Lens

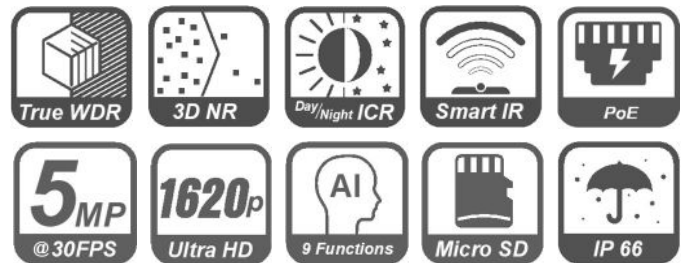


The ENFORCER Motorized Vandal Dome Camera offers high-resolution video and advanced technology in a compact and accessible package. The camera features H.265 video compression, reducing bandwidth and storage requirements without giving up video quality. With True Wide Dynamic Range (WDR), Digital Noise Reduction (3DNR) and Day/Night (ICR) capabilities the camera provides excellent picture quality.



Features

- 1/2.7" 5MP SmartSens CMOS Sensor
- 30FPS@5MP, 1620p (2880x1620)
- 2.8~12 mm Lens
- Triple Stream Encoding: H.265, H.264 and MJPEG
- True Wide Dynamic Range (WDR)
- Digital Noise Reduction (3DNR)
- True Day & Night Function with ICR Module
- ICR Sensitivity adjustment
- Corridor mode
- Operating temperature: -40°~131° F (-40°~55° C)
- IP66 Weatherproof
- IR Range 147' (45m)
- Smart IRs adjust IR strength to conditions
- MicroSD slot (512GB max)
- PoE (IEEE 802.3af), 12VDC
- ONVIF® profiles G, S, and T conformant



AI Functions

- Face detection
- Human & vehicle detection
- Perimeter intrusion detection
- Line crossing detection
- Stationary object detection
- Cross counting
- Heat map
- Crowd density detection
- Queue length detection

Camera

Image sensor	1/2.7" 5MP SmartSens CMOS
Effective pixels	2880(H)x1620(V)
Scanning system	Progressive scan
Electronic shutter speed	Auto, Manual; 1/5 s to 1/20,000 s
Minimum illumination	Color: 0.002Lux at F1.2 (AGC on) 3Lux with IR on
IR Distance	Distance up to 147' (45m)
IR On/Off control	Auto, manual
IR LEDs	4x850nm LEDs

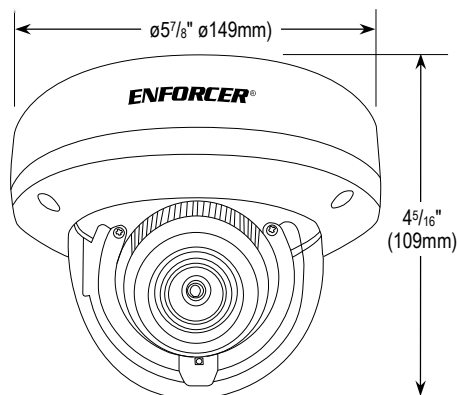
Lens

Lens type	Motorized
Focal length	2.8~12 mm
Maximum aperture	F1.8~3.3
Field of view	Horizontal: 107°~33.6° Vertical: 54.7°~18.90° Diagonal: 133.7°~37.6°

Video

Compression	H.265, H.264
Streaming capability	Triple (3) streams
Resolution	2880x1620, 2560x1440, 2304x1296, 1080p (1920x1080), 720p (1280x720)
Bit rate control	CBR/VBR
Bit rate	Main stream: 256 to 8192 Kbps Sub stream: 128 to 4096 Kbps Mobile stream: 8 to 1536 Kbps
Backlight	Disable (default), BLC, HLC, True WDR
White balance	Auto
Gain control	Auto
Noise reduction	3D DNR
Smart IR	Support
Image rotation	0°, 180°
Mirror	Disable, vertical, horizontal, all
Privacy masking	Off, on (4 areas, rectangle)
Region of interest	Support

Dimensions



Network

Ethernet	RJ45
Protocol	TCP/IP, HTTP, DHCP, DNS, DDNS, RTP, RTSP, SMTP, NTP, UPnP, SNMP, HTTPS, FTP
Interoperability	ONVIF® profiles G, S, and T conformant
Auto register	Support
Streaming method	Multicast
Max. user access	7
Web viewer	IE, Chrome, Firefox, Edge
On-board storage	Built in memory slot Supports up to 512GB MicroSD/SDHC/SDXC

Certifications

Certifications	CE, FCC, RoHS
ONVIF®	Profiles G, S, and T conformant
NDAA	Compliant

Electrical

Power supply	12VDC, or PoE (IEEE 802.3af Class 0)
Power consumption	<6 W

Environmental

Operating conditions	-40°~131° F (-40°~55° C) Less Than 95% RH
Storage conditions	-40°~140° F (-40°~60° C)
IP Rating	IP66 Weatherproof

Construction

Casting	Metal
Dimensions	ø5 7/8" x 4 5/16" (ø149x109 mm)
Weight	2-lb 1.2-oz (940g)

Accessories

Junction Box



EV-SDWQ

IP 5MP 2.8mm Mini Vandal Dome Camera

EV-N2506-2W4WMQ 2.8mm lens

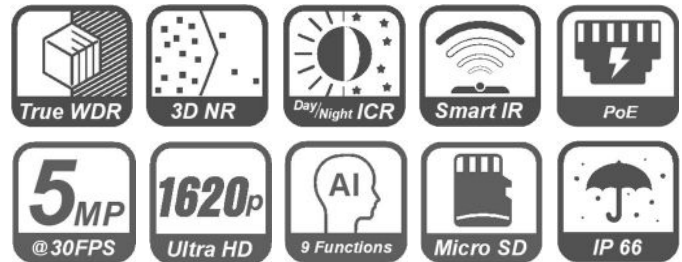


The ENFORCER Mini Vandal Dome Camera offers high-resolution video and advanced technology in a compact and accessible package. The camera features H.265 video compression, reducing bandwidth and storage requirements without giving up video quality. With True Wide Dynamic Range (WDR), Digital Noise Reduction (3DNR), and Day/Night (ICR) capabilities, the camera provides excellent picture quality.



Features

- 1/2.7" 5MP SmartSens CMOS Sensor
- 30FPS@5MP, 1620p (2880x1620)
- 2.8mm Lens
- Triple Stream Encoding
- H.265, H.264 and MJPEG
- True Wide Dynamic Range (WDR)
- Digital Noise Reduction (3DNR)
- True Day & Night Function ICR Module
- ICR Sensitivity adjustment
- Corridor mode
- Operating temperature: -40°~131° F (-40°~55° C)
- IP66 Weatherproof
- IR Range 66' (20m)
- Smart IRs adjust IR strength to conditions
- MicroSD slot (512GB, max.)
- PoE (IEEE 802.3af), 12VDC
- ONVIF® profiles G, S, and T conformant



AI Functions

- Face detection
- Human & vehicle detection
- Perimeter intrusion detection
- Line crossing detection
- Stationary object detection
- Cross counting
- Heat map
- Crowd density detection
- Queue length detection

Camera

Image sensor	1/2.7" 5MP SmartSens CMOS
Effective pixels	2880(H)x1620(V)
Scanning system	Progressive scan
Electronic shutter speed	Auto, Manual; 1/5 s to 1/20,000 s
Minimum illumination	Color: 0.1Lux at F1.2 (AGC on) 0Lux with IR on
IR distance	Distance up to 66' (20m)
IR on/off control	Auto, manual
IR LEDs	10x850nm LEDs

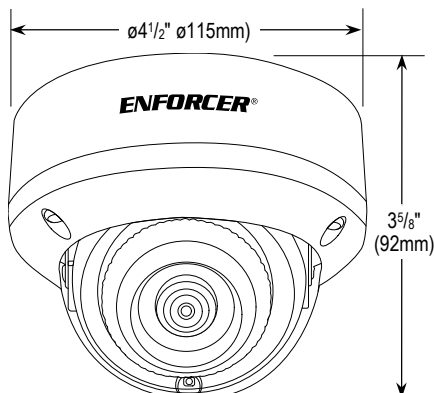
Lens

Lens type	Fixed-focal
Focal length	2.8mm
Maximum aperture	F1.6
Field of view	Horizontal: 110° Vertical: 58° Diagonal: 133°

Video

Compression	H.265, H.264
Streaming capability	Triple (3) streams
Resolution	2880x1620, 2560x1440, 2304x1296, 1080p (1920x1080), 720p (1280x720)
Bit rate control	CBR/VBR
Bit rate	Main stream: 256 to 8192 Kbps Sub stream: 128 to 4096 Kbps Mobile stream: 8 to 1536 Kbps
Backlight	Disable (default) BLC, HLC, True WDR
White balance	Auto
Gain control	Auto
Noise reduction	3D DNR
Smart IR	Support
Image rotation	0°, 180°
Mirror	Disable, vertical, horizontal, all
Privacy masking	Off, on (4 areas, rectangle)
Region of interest	Support

Dimensions



Network

Ethernet	RJ45
Protocol	TCP/IP, HTTP, DHCP, DNS, DDNS, RTP, RTSP, SMTP, NTP, UPnP, SNMP, HTTPS, FTP
Interoperability	ONVIF® profiles G, S, and T conformant
Auto register	Support
Streaming method	Multicast
Max. user access	7
Web viewer	IE, Chrome, Firefox, Edge
On-board storage	Built in memory slot Supports up to 512GB MicroSD/SDHC/SDXC

Certifications

Certifications	CE, FCC, RoHS
ONVIF®	Profiles G, S, and T conformant
NDAA	Compliant

Electrical

Power supply	12VDC, or PoE (IEEE 802.3af Class 0)
Power consumption	<6 W

Environmental

Operating conditions	-40°~131° F (-40°~ 55° C) <95% RH
Storage conditions	-40°~140° F (-40°~60° C)
IP Rating	IP66 Weatherproof

Construction

Casting	Metal
Dimensions	ø4 1/2"x3 5/8" (ø115x92 mm)
Weight	1-lb 2.3-oz (520g)

Accessories

Junction Box



EV-SMWQ

PoE Switches



NS-508UQ-GAQ

Model Number

PoE

NS-104UT-MAQ

Unmanaged PoE switch, 4-Port

NS-508UT-GAQ

Unmanaged gigabit PoE switch, 8-Port



NS-104UT-MAQ

Features

- Provides both Ethernet data and power to multiple PoE devices including IP cameras, IP access, VOIP, IP speakers/intercoms, etc.
- Specially designed for video transmission with fast packet forwarding capability for clear images and smooth transmission
- 2 Uplink ports
- Easy plug-and-play installation
- Supports 10,100BaseT (NS-508UT-GAQ supports up to 1000BaseT)
- IEEE 802.3x Flow control – can operate as transmitter and receiver
- Sold as a set

PoE Extenders

Model Number

PoE

NR-P101E-TQ

Gigabit PoE extender, outdoor,
1-input to 1-output

NR-P401E-TQ

Gigabit PoE extender,
1-input to 4-output



NR-P101E-TQ



NR-P401E-TQ

Features

- Extends the range of PoE Ethernet devices over Cat5e or higher cables an additional 328ft (100m)
- Connects 10,100,1000BaseT PoE devices including cameras, VOIP, etc.
- Supports up to gigabit transmission rates
- Compliant with IEEE 802.3af, IEEE 802.3at
- Passive operation – no external power required
- Easy plug-and-play installation
- Automatically detects PoE equipment and protects from damage due to faulty installation
- Complies with FCC and CE class B EMI standards

NR-P401E-TQ

- 4 Output ports for up to 4 PoE devices
- Also compliant with IEEE 802.3bt 4 pairs

Passive Ethernet over Coax

Features

- 1 Channel Ethernet over coax
- 10/100 Mbps Full duplex
- Transmission distance: 650ft (200m)
- Link Cable: RG59/U or better
- Passive operation - no external power required
- Built-in surge protection
- Fast and easy to install
- Bidirectional – can operate as transmitter and receiver
- Sold as a set



Model Number

NE-SE01-020Q
Up to 650ft (200m)

PoE Repeater

Features

- Extends power and data beyond the normal limit of 328ft (100m)
- Standard PoE IEEE 802.3af compliant
- Installs on Cat5e/6 4-pair UTP cable with RJ45 jacks
- Supports 10/100/1000BASE-T transmission rates
- Easy plug-and-play installation
- Passive operation – no external power required
- Auto-sensing for detecting PoE or non-PoE devices
- Built-in LED status indicators
- Sealed and fanless for increased reliability
- Compact, wall-mountable



Model Number

PoE

NR-P101FQ
802.3af Compliant

PoE Injector

Features

- Includes splitter and injector
- Works with all DC powered non-PoE devices up to 50VDC
- Supports up to 100Mb/s networks
- Use existing Cat5e/6 wiring to extend power to non-PoE devices
- Plug & play installation
- For distances up to 328ft (100m)



Model Number

PoE

NJ-P101M-PQ
Basic PoE Splitter/Injector

SECO-LARM U.S.A., Inc.
 16842 Millikan Avenue
 Irvine, CA 92606
 Phone: (800) 662-0800
 (949) 261-2999
 Fax: (949) 261-7326
 Email: sales@seco-larm.com



IP Camera Brochure

CCTV and Accessories



Manufacturers of reliable security systems and accessories since 1971.



www.seco-larm.com



SECO-LARM's Security Systems and Accessories are protected by the following patents:

U.S. pat. nos. 7800644, 7164357, 6109110, 5760680, 5751072, 5739749, 5648754, 5483225, 5473305, 5298879, 5216407, 5084697, 4980666, 4975678, 4926160, 4835518, 4810998, 4761631, 4706064, 4700332, 4679033, 4550229, 4546629, 4543568, 4507945, D485774, D479708, D350494, D319196, D314791

Taiwan pat. nos. 158210, 133076, 118811, 116977, 105843, 100701, 94510, 89463, 86123, 84396, 76872, 75669, 66042, 61565, 59176, 56767, 52421, 50612, 46459, 43239, 40938, 40244, 39225, 37977, 37422, 35025, 33687, 33261, 33201, 32844, 32435, 32409, 31633, 30905, 30897, 30432, 30060, 28883, 28112, 26690, 24477, 23474, 22073, 21111, 20786, 20380, 19593, 18971, 17724, 16672, 16021, 15469, 14658, 12398, 11699, 9191, 3724, M335856, M328028, M319465, 319309, M589871, D164774, I699990

U.K. pat. nos. 2279792, 2271009, 2215895, 2179482, 2177797, 2177529, 2141480, 2036522, 1041888

German pat. nos. 29600370.0, G9203004.1, G9203003.3, G9212809.2

Hungary pat. no. 85927 Sweden pat. no. 9202706.9

Japan pat. no. 1882619 Korea pat. nos. 35097, 32332

China pat. nos. ZL200720126532.5, ZL2006200113040.8, SZ03311103.0, ZL02305808.0, ZL97312768.6, ZL96249150.0, ZL95201587.0, ZL94300564.7, ZL201430057105.1

Other international patents are pending.

Copyright © 2023 SECO-LARM U.S.A., Inc. All rights reserved.

Trademarks are the property of SECO-LARM U.S.A., Inc. or their respective owners.

The SECO-LARM policy is one of continual development. For that reason, SECO-LARM reserves the right to change prices and specifications without notice. SECO-LARM is not responsible for misprints.

ISO 9001 Quality You Can Count On!

Anyone can talk about quality. But can they make sure the products you source offer consistent quality, order after order?

SECO-LARM's quality control management system is compliant with all the requirements of ISO 9001, the accepted measure of quality worldwide.

ISO 9001 is not another quality control theory. SECO-LARM's entire manufacturing process was probed in great detail by an independent quality system certification body, and was found compliant with internationally accepted quality standards.

A quality management system certified as ISO 9001 compliant ensures that SECO-LARM can deliver products that meet your quality requirements time and time again.

ISO 9001. World-class quality management from a world-class security manufacturer.

