

ENFORCER[®]

Everything CCTV

We've got you covered!

IP Cameras | NVR | NVR & Camera Kits
HD Cameras | Brackets | Accesories



SECO-LARM Offers a Complete Line of ENFORCER CCTV Products



SECO-LARM[®]

HDMI[®]
HIGH-DEFINITION MULTIMEDIA INTERFACE

ONVIF[®] | GST

NDAA COMPLIANT

ONVIF[®] is a trademark of ONVIF, Inc.

NVR and Camera Kits

DRN-K104-04 4K 4-Channel NVR + 4 IP 5MP Cameras + 2TB HDD

DRN-K108-06 4K 8-Channel NVR + 6 IP 5MP Cameras + 2TB HDD

DRN-K116-12 4K 16-Channel NVR + 12 IP 5MP Cameras + 4TB HDD

ENFORCER Surveillance Kits offer all the elements of an easy plug-and-play installation. The included IP cameras provide excellent picture quality with True Wide Dynamic Range (WDR) and Digital Noise Reduction (3DNR). The NVR features built-in AI functions for multiple security purposes. The kits are suitable for various applications due to their cost-effectiveness and simple-to-install design.



DRN-K104-04

NVR Features

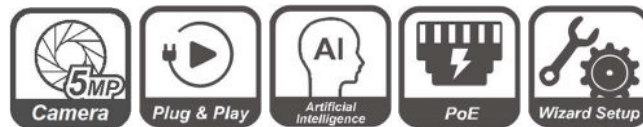
- EV-N2506-2W4WQ 5MP 2.8mm Turret Cameras included
- Compatible with 8MP (4K) IP Cameras
- Wizard assistance for easy first-time setup
- Plug-and-Play
- Built-in PoE ports (IEEE 802.3af/at)
- VGA and HDMI outputs with up to 4K resolution
- Includes one 2TB HDD
- Other HDD sizes available by special order, including 1/2/4/6/8/10 TB
- ONVIF® profile S conformant
- Easy app setup with QR code
- Tri-stream encoding
- Live view recording and playback up to 4K@30FPS
- P2P for simple remote connections using PC or mobile device
- 9 AI functions including human and vehicle detection (additional functions with EV-N2806-2W4WQ 8MP Turret Camera)

DRN-116-4TB Additional Features

- Includes 4TB HDD
- Supports up to 2 HDD
- 8 Sensor inputs, 1 alarm relay output
- Live view recording and playback up to 4K@45FPS

Camera Features

- 1/2.7" 5MP SmartSens CMOS sensor
- 30FPS@5MP (2880x1620)
- 2.8mm lens
- H.265, H.264, and MJPEG
- True Wide Dynamic Range (WDR)
- Digital Noise Reduction (3DNR)
- True Day & Night function with ICR module
- IP66 Weatherproof
- IR Range 98' (30mm)
- ONVIF® profile G, S, and T conformant
- Smart IRs adjust IR strength to conditions



AI Functions

- Face detection
 - Human & vehicle detection
 - Perimeter intrusion detection
 - Line crossing detection
 - Stationary object detection
 - Cross counting
 - Heat map
 - Crowd density detection
 - Queue length detection
- With EV-N2806-2W4WQ 8MP Turret Camera (optional)**
- Facial recognition
 - License plate detection
 - License plate recognition

ONVIF is a trademark of ONVIF, Inc.

The Adopted Trademarks HDMI, HDMI High-Definition Multimedia Interface, HDMI trade dress and the HDMI Logos are trademarks or registered trademarks of HDMI Licensing Administrator, Inc. in the United States and other countries.



Camera Specifications

Image sensor	1/2.7" 5MP SmartSens CMOS sensor
Effective pixels	2880(H)x1620(V)
Scanning system	Progressive scan
Electronic shutter speed	Auto, manual; 1/5 s to 1/20,000 s
Minimum illumination	Color: 0.1Lux at F1.2 (AGC on) 0Lux with IR on
IR Distance	Distance up to 98' (30m)
IR On/Off control	Auto, manual
IR LEDs	2pcs (850nm) LEDs
Focal length	2.8mm
Maximum aperture	F1.6
Field of view	Horizontal: 110°, Vertical: 58°, Diagonal:133°
Bit rate control	CBR/VBR
Bit rate	Main stream: 256 to 8192 Kbps, Sub stream: 128 to 4096 Kbps, Mobile stream: 8 to 1536 Kbps
Backlight	Disable (default) BLC, HLC, True WDR
White balance	Auto
Gain control	Auto
Noise reduction	3DNR
Smart IR	Support
Image rotation	0°, 180°
Mirror	Disable, vertical, horizontal, all
Privacy masking	Off, on (4 areas, rectangle)

Other Kit Photos



DRN-K108-06



DRN-K116-12

NVR Specifications

Model	DRN-K104-04	DRN-K108-06	DRN-K116-12
IP Camera included	4x EV-N2506-2W4WQ	6x EV-N2506-2W4WQ	12x EV-N2506-2W4WQ
Video			
Camera support	Up to 8MP (4K)		
Incoming bandwidth	50Mbps	76Mbps	112Mbps
Outgoing bandwidth	48Mbps	32Mbps	96Mbps
HDMI Output	1024x768, 1280x720, 1280x1024, 1440x900, 1920x1080, 2560x1440, 3840x2160 (4K)		
VGA Output	1024x768, 1280x720, 1280x1024, 1440x900, 1920x1080		
Frame rate	4K: Up to 30FPS, 4MP: Up to 60FPS, 2MP: Up to 120FPS		4K: Up to 45FPS, 4MP: Up to 90FPS, 2MP: Up to 180FPS
Compression	H.265+, H.265, H.264+, H.264		
AI	Support		
Playback functions	Fast forward / backward (2x, 4x, 8x, 16x), Slow forward (1/2x, 1/4x, 1/8x, 1/16x)		
User Interface			
Local	UI5.0		
Web	IE10/11, Safari V12.1 above, Firefox V.52 above, Google Chrome V.57 above, Edge V.79 above		
Auxiliary Interface			
HDMI Output	1 Output		
VGA Output	1 Output		
POE Input	4x RJ45	8x RJ45	16x RJ45
USB	USB 2.0 x 1 front & 1 rear		
Alarm I/O	None	None	8 In / 1 Out
Included HDD	2TB SATA		4TB SATA
Internal storage capacity	1 SATA HDD, up to 10TB	1 SATA HDD, up to 10TB	2 SATA, each HDD up to 10TB
General			
Power supply	48VDC@1.2A	48VDC@1.5A	48VDC@3.75A
Power consumption	5W	6W	8W
Dimensions (WxDxH)	11 ¹¹ / ₁₆ " x 8 ¹⁵ / ₁₆ " x 2 ¹ / ₁₆ " (300x227x53 mm)		14 ⁷ / ₈ " x 13 ³ / ₈ " x 2" (378x340x50 mm)
Operating temperature	32°~104°F (0°~40°C)		
Humidity	Less than 90%RH		

4K Network Video Recorders



DRN-104-2TB 4-Channel, 2TB HDD

DRN-108-2TB 8-Channel, 2TB HDD

DRN-116-4TB 16-Channel, 4TB HDD

The ENFORCER Network Video Recorder offers 4K and H.265 High Efficiency Video Coding, reducing bandwidth and storage requirements without giving up video quality. These NVRs are perfect for a wide range of applications due to their cost-effectiveness and simple-to-install design.

Features

- Compatible with up to 8MP (4K) IP Cameras
- QR code and Wizard assistance for easy first-time setup
- Plug-and-Play
- Built-in PoE Ports (IEEE 802.3af/at)
- VGA and HDMI outputs with up to 4K resolution
- Other HDD sizes available by special order, including 1/2/4/6/8/10 TB
- ONVIF® profiles S conformant
- Tri-stream encoding
- Live view recording and playback up to 4K@30FPS
- P2P for simple remote connections using PC or mobile device

DRN-116-4TB Additional Features

- Supports up to two HDDs
- Live view recording and playback up to 4K@45FPS
- 8 Sensor inputs, 1 alarm relay output

AI Functions

- Face detection
 - Human & vehicle detection
 - Perimeter intrusion detection
 - Line crossing detection
 - Stationary object detection
 - Cross counting
 - Heat map
 - Crowd density detection
 - Queue length detection
- With EV-N2806-2W4WQ 8MP Turret**
- Facial recognition
 - License plate detection
 - License plate recognition



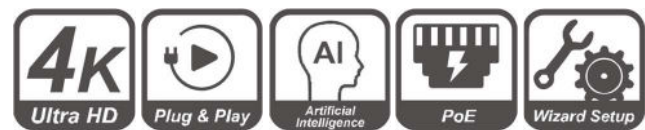
DRN-104-2TB



DRN-108-2TB



DRN-116-4TB



ONVIF is a trademark of ONVIF, Inc.

The Adopted Trademarks HDMI, HDMI High-Definition Multimedia Interface, HDMI trade dress and the HDMI Logos are trademarks or registered trademarks of HDMI Licensing Administrator, Inc. in the United States and other countries.

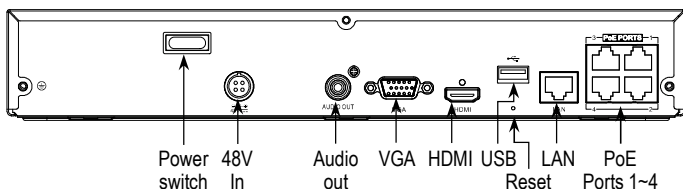


Specifications

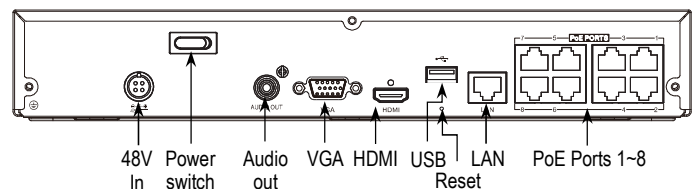
Model	DRN-104-2TB	DRN-108-2TB	DRN-116-4TB
Video			
Resolution	8MP (4K), 5MP, 2MP (1080p), 1.3MP (960p), 1.0MP (720p)		
Incoming bandwidth	50Mbps	76Mbps	112Mbps
Outgoing bandwidth	48Mbps	32Mbps	96Mbps
HDMI Output	1024x768, 1280x720, 1280x1024, 1440x900, 1920x1080, 2560x1440, 3840x2160 (4K)		
VGA Output	1024x768, 1280x720, 1280x1024, 1440x900, 1920x1080		
Frame rate	4K: Up to 30FPS 4MP: Up to 60FPS 2MP: Up to 120FPS		4K: Up to 45FPS 4MP: Up to 90FPS 2MP: Up to 180FPS
Compression	H.265+/H.265/H.264+/H.264		
AI	Support		
Playback function	Fast forward / backward (2x, 4x, 8x, 16x) Slow forward (1/2x, 1/4x, 1/8x, 1/16x)		
User Interface			
Local	UI5.0		
Web	IE10/11, Safari V12.1 above, Firefox V.52 above, Google Chrome V.57 above, Edge V.79 above		
Auxiliary Interface			
HDMI Output	1 Output		
VGA Output	1 Output		
POE Input	4x RJ45	8x RJ45	16x RJ45
USB	USB 2.0 x 1 front & 1 rear		
Alarm I/O	None	None	8 In / 1 Out
Included HDD	2TB SATA		4TB SATA
Internal storage capacity	1 SATA HDD, up to 10TB	1 SATA HDD, up to 10TB	2 SATA, up to 10TB each
General			
Power supply	48VDC@1.2A	48VDC@1.5A	48VDC@3.75A
Power consumption	5W	6W	8W
Dimensions	11 ¹³ / ₁₆ "x8 ¹⁵ / ₁₆ "x2 ¹ / ₁₆ " (300x227x53 mm)		14 ⁷ / ₈ "x13 ³ / ₈ "x2" (378x340x50 mm)
Operating temperature	32°~104°F (0°~40°C)		
Humidity	Less than 90%RH		

Rear Panel Overview

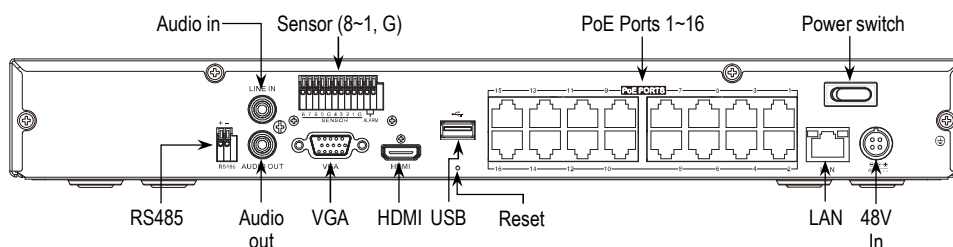
4 Channels



8 Channels



16 Channels



IP 5MP Motorized 2.8~12 mm Turret Camera

EV-N2506-NW4WQ 2.8~12 mm Lens

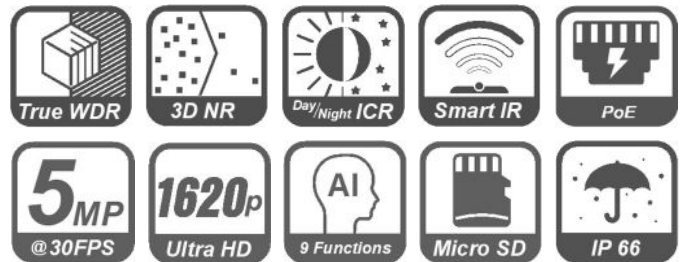


The ENFORCER Motorized Turret Camera offers high-resolution video and advanced technology in a compact and accessible package. The camera features H.265 video compression, reducing bandwidth and storage requirements without giving up video quality. With True Wide Dynamic Range (WDR), Digital Noise Reduction (3DNR) and Day/Night (ICR) capabilities, the camera provides excellent picture quality.



Features

- 1/2.7" 5MP SmartSens CMOS Sensor
- 30FPS@5MP, 1620p (2880x1620)
- 2.8~12 mm Lens
- Triple Stream Encoding: H.265, H.264 and MJPEG
- True Wide Dynamic Range (WDR)
- Digital Noise Reduction (3DNR)
- True Day & Night Function with ICR Module
- ICR Sensitivity adjustment
- Corridor mode
- Operating temperature: -40°~131° F (-40°~55° C)
- IP66 Weatherproof
- IR Range 147' (45m)
- Smart IRs adjust IR strength to conditions
- MicroSD slot (512GB max)
- PoE (IEEE 802.3af), 12VDC
- ONVIF® profiles G, S, and T conformant



AI Functions

- Face detection
- Human & vehicle detection
- Perimeter intrusion detection
- Line crossing detection
- Stationary object detection
- Cross counting
- Heat map
- Crowd density detection
- Queue length detection

Camera

Image sensor	1/2.7" 5MP SmartSens CMOS
Effective pixels	2880(H)x1620(V)
Scanning system	Progressive scan
Electronic shutter speed	Auto, Manual; 1/5 s to 1/20,000 s
Minimum illumination	Color: 0.002Lux at F1.2 (AGC on) 3Lux with IR on
IR Distance	Distance up to 147' (45m)
IR On/Off control	Auto, manual
IR LEDs	4x850nm LEDs

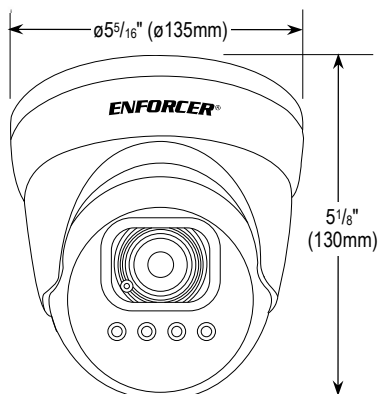
Lens

Lens type	Motorized
Focal length	2.8~12 mm
Maximum aperture	F1.8~3.3
Field of view	Horizontal: 107°~33.6° Vertical: 54.7°~18.90° Diagonal: 133.7°~37.6°

Video

Compression	H.265, H.264
Streaming capability	Triple (3) streams
Resolution	2880x1620, 2560x1440, 2304x1296, 1080p (1920x1080), 720p (1280x720)
Bit rate control	CBR/VBR
Bit rate	Main stream: 256 to 8192 Kbps Sub stream: 128 to 4096 Kbps Mobile stream: 8 to 1536 Kbps
Backlight	Disable (default), BLC, HLC, True WDR
White balance	Auto
Gain control	Auto
Noise reduction	3D DNR
Smart IR	Support
Image rotation	0°, 180°
Mirror	Disable, vertical, horizontal, all
Privacy masking	Off, on (4 areas, rectangle)
Region of interest	Support

Dimensions



Network

Ethernet	RJ45
Protocol	TCP/IP, HTTP, DHCP, DNS, DDNS, RTP, RTSP, SMTP, NTP, UPnP, SNMP, HTTPS, FTP
Interoperability	ONVIF® profiles G, S, and T conformant
Auto register	Support
Streaming method	Multicast
Max. user access	7
Web viewer	IE, Chrome, Firefox, Edge
On-board storage	Built in memory slot Supports up to 512GB MicroSD/SDHC/SDXC

Certifications

Certifications	CE, FCC, RoHS
ONVIF®	Profiles G, S, and T conformant
NDAA	Compliant

Electrical

Power supply	12VDC, or PoE (IEEE 802.3af Class 0)
Power consumption	< 6W

Environmental

Operating conditions	-40°~131° F (-40°~55° C) Less Than 95% RH
Storage conditions	-40°~140° F (-40°~60° C)
IP Rating	IP66 Weatherproof

Construction

Casting	Metal
Dimensions	ø5 5/16" x 5 1/8" (ø135x130 mm)
Weight	1-lb 9.6-oz (725g)

Accessories

Junction Box



EV-STWQ

IP 5MP 2.8mm Turret Camera

EV-N2506-2W4WQ 2.8mm Lens

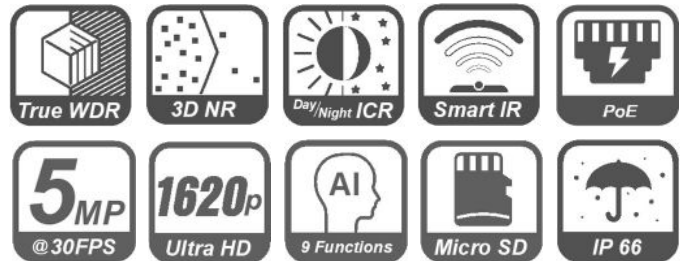


The ENFORCER Fixed Turret Camera offers high-resolution video and advanced technology in a compact and accessible package. The camera features H.265 video compression, reducing bandwidth and storage requirements without giving up video quality. With True Wide Dynamic Range (WDR), Digital Noise Reduction (3DNR) and Day/Night (ICR) capabilities, the camera provides excellent picture quality.



Features

- 1/2.7" 5MP SmartSens CMOS Sensor
- 30FPS@5MP, 1620p (2880x1620)
- 2.8mm Lens
- Triple Stream Encoding: H.265, H.264 and MJPEG
- True Wide Dynamic Range (WDR)
- Digital Noise Reduction (3DNR)
- True Day & Night Function with ICR Module
- ICR Sensitivity adjustment
- Corridor mode
- Operating temperature: -40°~131° F (-40°~55° C)
- IP66 Weatherproof
- IR Range 98' (30m)
- Smart IRs adjust IR strength to conditions
- MicroSD slot (512GB max)
- PoE (IEEE 802.3af), 12VDC
- ONVIF® profiles G, S, and T conformant



AI Functions

- Face detection
- Human & vehicle detection
- Perimeter intrusion detection
- Line crossing detection
- Stationary object detection
- Cross counting
- Heat map
- Crowd density detection
- Queue length detection

Camera

Image sensor	1/2.7" 5MP SmartSens CMOS
Effective pixels	2880(H)x1620(V)
Scanning system	Progressive scan
Electronic shutter speed	Auto, Manual; 1/5 s to 1/20,000 s
Minimum illumination	Color: 0.1Lux at F1.2 (AGC on) 0Lux with IR on
IR Distance	Distance up to 98' (30m)
IR On/Off control	Auto, manual
IR LEDs	2x850nm LEDs

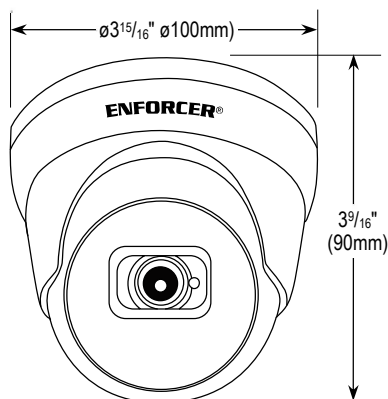
Lens

Lens type	Fixed
Focal length	2.8mm
Maximum aperture	F1.6
Field of view	Horizontal: 110° Vertical: 58° Diagonal: 133°

Video

Compression	H.265, H.264
Streaming capability	Triple (3) streams
Resolution	2880x1620, 2560x1440, 2304x1296, 1080p (1920x1080), 720p (1280x720)
Bit rate control	CBR/VBR
Bit rate	Main stream: 256 to 8192 Kbps Sub stream: 128 to 4096 Kbps Mobile stream: 8 to 1536 Kbps
Backlight	Disable (default), BLC, HLC, True WDR
White balance	Auto
Gain control	Auto
Noise reduction	3D DNR
Smart IR	Support
Image rotation	0°, 180°
Mirror	Disable, vertical, horizontal, all
Privacy masking	Off, on (4 areas, rectangle)
Region of interest	Support

Dimensions



Network

Ethernet	RJ45
Protocol	TCP/IP, HTTP, DHCP, DNS, DDNS, RTP, RTSP, SMTP, NTP, UPnP, SNMP, HTTPS, FTP
Interoperability	ONVIF® profiles G, S, and T conformant
Auto register	Support
Streaming method	Multicast
Max. user access	7
Web viewer	IE, Chrome, Firefox, Edge
On-board storage	Built in memory slot Supports up to 512GB MicroSD/SDHC/SDXC

Certifications

Certifications	CE, FCC, RoHS
ONVIF®	Profiles G, S, and T conformant
NDAA	Compliant

Electrical

Power supply	12VDC, or PoE (IEEE 802.3af Class 0)
Power consumption	< 6W

Environmental

Operating conditions	-40°~131° F (-40°~55° C) Less Than 95% RH
Storage conditions	-40°~140° F (-40°~60° C)
IP Rating	IP66 Weatherproof

Construction

Casting	Metal
Dimensions	$\varnothing 3\frac{15}{16}$ "x $3\frac{9}{16}$ " ($\varnothing 100$ x90 mm)
Weight	13.05-oz (370g)

Accessories

Junction Box



EV-SSWQ

IP 5MP Full Color 2.8mm Turret Camera

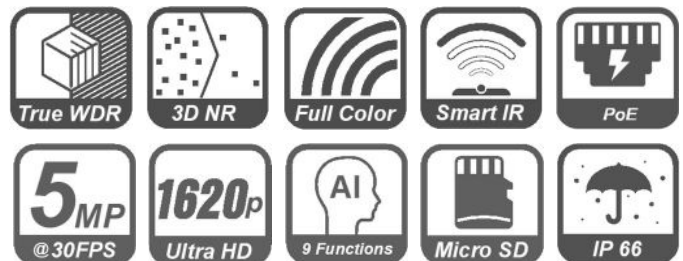
EV-N2506-2W4WLQ Full Color, 2.8mm Lens



The ENFORCER Full Color Turret Camera offers high-resolution video and advanced technology in a compact and accessible package. The built-in Warm Light can provide colorful display 24/7, or act as a deterrent warning light depending on the user's preference. With True Wide Dynamic Range (WDR), and Digital Noise Reduction (3DNR), the camera provides excellent picture quality.

Features

- Colorful Display 24/7
- 1/2.7" 5MP SmartSens CMOS Sensor
- 30FPS@5MP, 1620p (2880x1620)
- 2.8mm Lens
- Triple Stream Encoding: H.265, H.264 and MJPEG
- True Wide Dynamic Range (WDR)
- Digital Noise Reduction (3DNR)
- True Day & Night Function with ICR Module
- ICR Sensitivity adjustment
- Corridor mode
- Operating temperature: -40°~131° F (-40°~55° C)
- IP66 Weatherproof
- IR Range 98' (30m)
- White LED 120°
- Smart IRs adjust IR strength to conditions
- MicroSD slot (512GB max)
- PoE (IEEE 802.3af), 12VDC
- ONVIF® profiles G, S, and T conformant



AI Functions

- Face detection
- Human & vehicle detection
- Perimeter intrusion detection
- Line crossing detection
- Stationary object detection
- Cross counting
- Heat map
- Crowd density detection
- Queue length detection

Camera

Image sensor	1/2.7" 5MP SmartSens CMOS	
Effective pixels	2880(H)x1620(V)	
Scanning system	Progressive scan	
Electronic shutter speed	Auto, Manual; 1/5 s to 1/20,000 s	
Minimum illumination	Color: 0.1Lux at F1.2 (AGC on) 0Lux with IR on	
IR Distance	Distance up to 98' (30m)	
IR On/Off control	Auto, manual	
IR LEDs	2x850nm LEDs	
Warm light	Quantity	2 white LEDs
	Distance	25m
	Bowl degree	120°

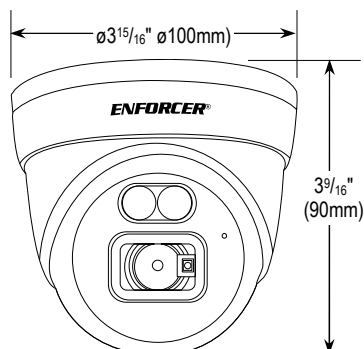
Lens

Lens type	Fixed
Focal length	2.8mm
Maximum aperture	F1.6
Field of view	Horizontal: 110° Vertical: 58° Diagonal: 133°

Video

Compression	H.265, H.264
Streaming capability	Triple (3) streams
Resolution	2880x1620, 2560x1440, 2304x1296, 1080p (1920x1080), 720p (1280x720)
Bit rate control	CBR/VBR
Bit rate	Main stream: 256 to 8192 Kbps Sub stream: 128 to 4096 Kbps Mobile stream: 8 to 1536 Kbps
Backlight	Disable (default), BLC, HLC, True WDR
White balance	Auto
Gain control	Auto
Noise reduction	3D DNR
Smart IR	Support
Image rotation	0°, 180°
Mirror	Disable, vertical, horizontal, all
Privacy masking	Off, on (4 areas, rectangle)
Region of interest	Support

Dimensions



Network

Ethernet	RJ45
Protocol	TCP/IP, HTTP, DHCP, DNS, DDNS, RTP, RTSP, SMTP, NTP, UPnP, SNMP, HTTPS, FTP
Interoperability	ONVIF® profiles G, S, and T conformant
Auto register	Support
Streaming method	Multicast
Max. user access	7
Web viewer	IE, Chrome, Firefox, Edge
On-board storage	Built in memory slot Supports up to 512GB MicroSD/SDHC/SDXC

Certifications

Certifications	CE, FCC, RoHS
ONVIF®	Profiles G, S, and T conformant
NDAA	Compliant

Electrical

Power supply	12VDC, or PoE (IEEE 802.3af Class 0)
Power consumption	< 6W

Environmental

Operating conditions	-40°~131° F (-40°~55° C) Less Than 95% RH
Storage conditions	-40°~140° F (-40°~60° C)
IP Rating	IP66 Weatherproof

Construction

Casting	Metal
Dimensions	ø3 15/16" x 3 9/16" (ø100x90 mm)
Weight	13.05-oz (370g)

Accessories

Junction Box



EV-SSWQ

IP 4K (8MP) 2.8mm Turret Camera

EV-N2806-2W4WQ 2.8mm Lens

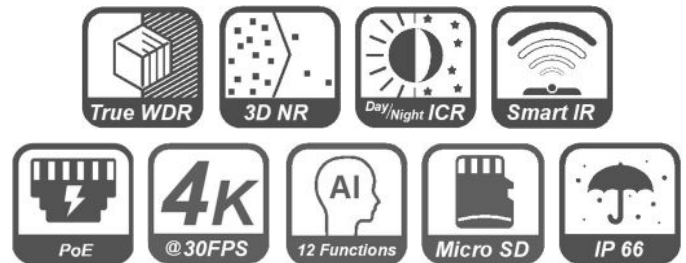


The ENFORCER fixed turret camera offers 4K-resolution video and advanced technology in a compact and accessible package. The camera features H.265 video compression, reducing bandwidth and storage requirements without giving up video quality. With True Wide Dynamic Range (WDR), Digital Noise Reduction (3DNR) and Day/Night (ICR) capabilities the camera provides excellent picture quality.



Features

- 1/2.8" 8MP Sony CMOS Sensor
- 30FPS@4K, 2160p (3840x2160)
- 2.8mm Lens
- Triple Stream Encoding
- H.265, H.264 and MJPEG
- True Wide Dynamic Range (WDR)
- Digital Noise Reduction (3DNR)
- True Day & Night Function ICR Module
- ICR Sensitivity adjustment
- Corridor mode
- Operating temperature: -40°~131° F (-40°~55° C)
- IP66 Weatherproof
- IR Range 98' (30m)
- Smart IRs adjust IR strength to conditions
- MicroSD slot (512GB max)
- PoE (IEEE 802.3af), 12VDC
- ONVIF® profiles G, S, and T conformant



AI Functions

- Face detection
- Face recognition
- Human & vehicle detection
- Perimeter intrusion detection
- Line crossing detection
- Stationary object detection
- Cross counting
- Heat map
- Crowd density detection
- Queue length detection
- License plate detection
- License plate recognition

Camera

Image sensor	1/2.8" 8MP Sony CMOS
Effective pixels	3840(H)x2160(V)
Scanning system	Progressive scan
Electronic shutter speed	Auto, Manual; 1/5 s to 1/20,000 s
Minimum illumination	Color: 0.005Lux at F1.2 (AGC on) 1Lux with IR on
IR Distance	Distance up to 98' (30m)
IR On/Off control	Auto, manual
IR LEDs	2x850nm LEDs

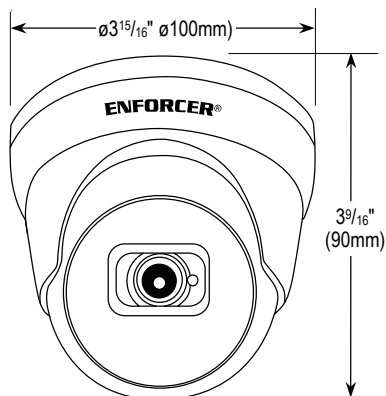
Lens

Lens type	Fixed
Focal length	2.8mm
Maximum aperture	F1.6
Field of view	Horizontal: 105° Vertical: 56° Diagonal: 126°

Video

Compression	H.265, H.264
Streaming capability	Triple (3) streams
Resolution	2880x1620, 2560x1440, 2304x1296, 1080p (1920x1080), 720p (1280x720)
Bit rate control	CBR/VBR
Bit rate	Main stream: 256 to 16384 Kbps Sub stream: 128 to 4096 Kbps Mobile stream: 8 to 1536 Kbps
Backlight	Disable (default) BLC, HLC, True WDR
White balance	Auto
Gain control	Auto
Noise reduction	3D DNR
Smart IR	Support
Image rotation	0°, 180°
Mirror	Disable, vertical, horizontal, all
Privacy masking	Off, on (4 areas, rectangle)
Region of interest	Support

Dimensions



Network

Ethernet	RJ45
Protocol	TCP/IP, HTTP, DHCP, DNS, DDNS, RTP, RTSP, SMTP, NTP, UPnP, SNMP, HTTPS, FTP
Interoperability	ONVIF® profiles G, S, and T conformant
Auto register	Support
Streaming method	Multicast
Max. user access	7
Web viewer	IE, Chrome, Firefox, Edge
On-board storage	Built in memory slot Supports up to 512GB MicroSD/SDHC/SDXC

Certifications

Certifications	CE, FCC, RoHS
ONVIF®	Profiles G, S, and T conformant
NDAA	Compliant

Electrical

Power supply	12VDC, or PoE (IEEE 802.3af Class 0)
Power consumption	< 6W

Environmental

Operating conditions	-40°~131° F (-40°~55° C) Less Than 95% RH
Storage conditions	-40°~140° F (-40°~60° C)
IP Rating	IP66 Weatherproof

Construction

Casting	Metal
Dimensions	$\varnothing 3\frac{15}{16}$ "x $3\frac{9}{16}$ " ($\varnothing 100$ x 90 mm)
Weight	13.05-oz (370g)

Accessories

Junction Box



EV-SSWQ

IP 5MP Motorized 2.8~12 mm Bullet Camera

EV-N1506-NW4WQ 2.8~12 mm Lens

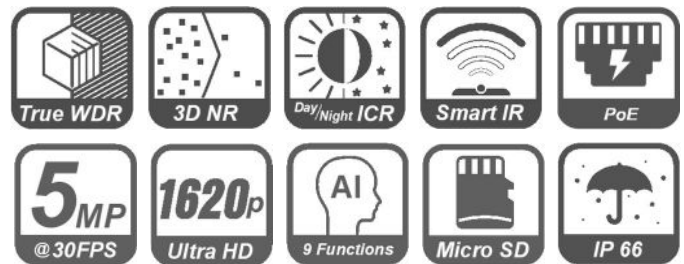


The ENFORCER Motorized Bullet Camera offers high-resolution video and advanced technology in a compact and accessible package. The camera features H.265 video compression, reducing bandwidth and storage requirements without giving up video quality. With True Wide Dynamic Range (WDR), Digital Noise Reduction (3DNR) and Day/Night (ICR) capabilities the camera provides excellent picture quality.



Features

- 1/2.7" 5MP SmartSens CMOS Sensor
- 30FPS@5MP, 1620p (2880x1620)
- 2.8~12 mm Lens
- Triple Stream Encoding: H.265, H.264 and MJPEG
- True Wide Dynamic Range (WDR)
- Digital Noise Reduction (3DNR)
- True Day & Night Function with ICR Module
- ICR Sensitivity adjustment
- Corridor mode
- Operating temperature: -40°~131° F (-40°~55° C)
- IP66 Weatherproof
- IR Range 147' (45m)
- Smart IRs adjust IR strength to conditions
- MicroSD slot (512GB max)
- PoE (IEEE 802.3af), 12VDC
- ONVIF® profiles G, S, and T conformant



AI Functions

- Face detection
- Human & vehicle detection
- Perimeter intrusion detection
- Line crossing detection
- Stationary object detection
- Cross counting
- Heat map
- Crowd density detection
- Queue length detection

Camera

Image sensor	1/2.7" 5MP SmartSens CMOS
Effective pixels	2880(H)x1620(V)
Scanning system	Progressive scan
Electronic shutter speed	Auto, Manual; 1/5 s to 1/20,000 s
Minimum illumination	Color: 0.002Lux at F1.2 (AGC on) 3Lux with IR on
IR Distance	Distance up to 147" (45m)
IR On/Off control	Auto, manual
IR LEDs	4x850nm LEDs

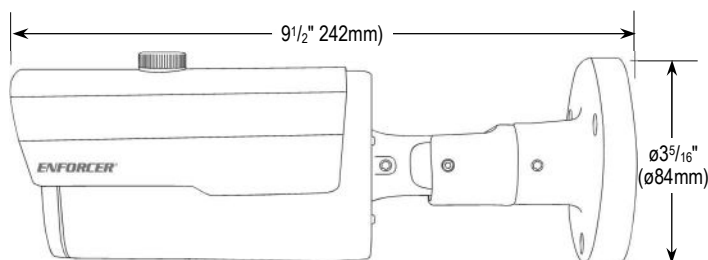
Lens

Lens type	Motorized
Focal length	2.8~12 mm
Maximum aperture	F1.8~3.3
Field of view	Horizontal: 107°~33.6° Vertical: 54.7°~18.90° Diagonal: 133.7°~37.6°

Video

Compression	H.265, H.264
Streaming capability	Triple (3) streams
Resolution	2880x1620, 2560x1440, 2304x1296, 1080p (1920x1080), 720p (1280x720)
Bit rate control	CBR/VBR
Bit rate	Main stream: 256 to 8192 Kbps Sub stream: 128 to 4096 Kbps Mobile stream: 8 to 1536 Kbps
Backlight	Disable (default) BLC, HLC, True WDR
White balance	Auto
Gain control	Auto
Noise reduction	3D DNR
Smart IR	Support
Image rotation	0°, 180°
Mirror	Disable, vertical, horizontal, all
Privacy masking	Off, on (4 areas, rectangle)
Region of interest	Support

Dimensions



Network

Ethernet	RJ45
Protocol	TCP/IP, HTTP, DHCP, DNS, DDNS, RTP, RTSP, SMTP, NTP, UPnP, SNMP, HTTPS, FTP
Interoperability	ONVIF® profiles G, S, and T conformant
Auto register	Support
Streaming method	Multicast
Max. user access	7
Web viewer	IE, Chrome, Firefox, Edge
On-board storage	Built in memory slot Supports up to 512GB MicroSD/SDHC/SDXC

Certifications

Certifications	CE, FCC, RoHS
ONVIF®	Profiles G, S, and T conformant
NDAA	Compliant

Electrical

Power supply	12VDC, or PoE (IEEE 802.3af Class 0)
Power consumption	< 6W

Environmental

Operating conditions	-40°~131° F (-40°~55° C) Less Than 95% RH
Storage conditions	-40°~140° F (-40°~60° C)
IP Rating	IP66 Weatherproof

Construction

Casting	Metal
Dimensions	ø3 5/16" x 9 1/2" (ø84x242 mm)
Weight	21.87-oz (620g)

Accessories

Junction Box



EV-SCWQ

IP 5MP 2.8mm Bullet Camera

EV-N1506-2W4WQ 2.8mm Lens

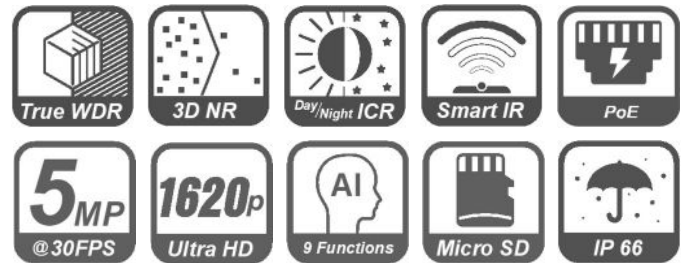


The ENFORCER Fixed Bullet Camera offers high-resolution video and advanced technology in a compact and accessible package. The camera features H.265 video compression, reducing bandwidth and storage requirements without giving up video quality. With True Wide Dynamic Range (WDR), Digital Noise Reduction (3DNR) and Day/Night (ICR) capabilities, the camera provides excellent picture quality.



Features

- 1/2.7" 5MP SmartSens CMOS Sensor
- 30FPS@5MP, 1620p (2880x1620)
- 2.8mm Lens
- Triple Stream Encoding: H.265, H.264 and MJPEG
- True Wide Dynamic Range (WDR)
- Digital Noise Reduction (3DNR)
- True Day & Night Function with ICR Module
- ICR Sensitivity adjustment
- Corridor mode
- Operating temperature: -40°~131° F (-40°~55° C)
- IP66 Weatherproof
- IR Range 98' (30m)
- Smart IRs adjust IR strength to conditions
- MicroSD slot (512GB max)
- PoE (IEEE 802.3af), 12VDC
- ONVIF® profiles G, S, and T conformant



AI Functions

- Face detection
- Human & vehicle detection
- Perimeter intrusion detection
- Line crossing detection
- Stationary object detection
- Cross counting
- Heat map
- Crowd density detection
- Queue length detection

Camera

Image sensor	1/2.7" 5MP SmartSens CMOS
Effective pixels	2880(H)x1620(V)
Scanning system	Progressive scan
Electronic shutter speed	Auto, Manual; 1/5 s to 1/20,000 s
Minimum illumination	Color: 0.1Lux at F1.2 (AGC on) 0Lux with IR on
IR Distance	Distance up to 98' (30m)
IR On/Off control	Auto, manual
IR LEDs	2x850nm LEDs

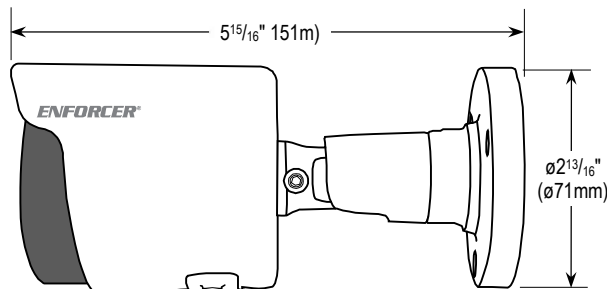
Lens

Lens type	Fixed
Focal length	2.8mm
Maximum aperture	F1.6
Field of view	Horizontal: 110° Vertical: 58° Diagonal: 133°

Video

Compression	H.265, H.264
Streaming capability	Triple (3) streams
Resolution	2880x1620, 2560x1440, 2304x1296, 1080p (1920x1080), 720p (1280x720)
Bit rate control	CBR/VBR
Bit rate	Main stream: 256 to 8192 Kbps Sub stream: 128 to 4096 Kbps Mobile stream: 8 to 1536 Kbps
Backlight	BLC, HLC, True WDR
White balance	Auto
Gain control	Auto
Noise reduction	3D DNR
Smart IR	Support
Image rotation	0°, 180°
Mirror	Disable, vertical, horizontal, all
Privacy masking	Off, on (4 areas, rectangle)
Region of interest	Support

Dimensions



Network

Ethernet	RJ45
Protocol	TCP/IP, HTTP, DHCP, DNS, DDNS, RTP, RTSP, SMTP, NTP, UPnP, SNMP, HTTPS, FTP
Interoperability	ONVIF® profiles G, S, and T conformant
Auto register	Support
Streaming method	Multicast
Max. user access	7
Web viewer	IE, Chrome, Firefox, Edge
On-board storage	Built in memory slot Supports up to 512GB MicroSD/SDHC/SDXC

Certifications

Certifications	CE, FCC, RoHS
ONVIF®	Profiles G, S, and T conformant
NDAA	Compliant

Electrical

Power supply	12VDC, or PoE (IEEE 802.3af Class 0)
Power consumption	< 6W

Environmental

Operating conditions	-40°~131° F (-40°~55° C) Less Than 95% RH
Storage conditions	-40°~140° F (-40°~60° C)
IP Rating	IP66 Weatherproof

Construction

Casting	Metal
Dimensions	ø2 13/16" x 5 15/16" (ø71x151 mm)
Weight	9.7-oz (275g)

Accessories

Junction Box



EV-SCWQ

IP 5MP Motorized 2.8~12 mm Vandal Dome Camera

EV-N2506-NW4WAQ 2.8~12 mm Lens

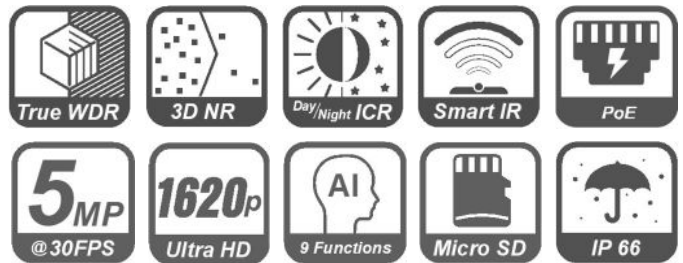


The ENFORCER Motorized Vandal Dome Camera offers high-resolution video and advanced technology in a compact and accessible package. The camera features H.265 video compression, reducing bandwidth and storage requirements without giving up video quality. With True Wide Dynamic Range (WDR), Digital Noise Reduction (3DNR) and Day/Night (ICR) capabilities the camera provides excellent picture quality.



Features

- 1/2.7" 5MP SmartSens CMOS Sensor
- 30FPS@5MP, 1620p (2880x1620)
- 2.8~12 mm Lens
- Triple Stream Encoding: H.265, H.264 and MJPEG
- True Wide Dynamic Range (WDR)
- Digital Noise Reduction (3DNR)
- True Day & Night Function with ICR Module
- ICR Sensitivity adjustment
- Corridor mode
- Operating temperature: -40°~131° F (-40°~55° C)
- IP66 Weatherproof
- IR Range 147' (45m)
- Smart IRs adjust IR strength to conditions
- MicroSD slot (512GB max)
- PoE (IEEE 802.3af), 12VDC
- ONVIF® profiles G, S, and T conformant



AI Functions

- Face detection
- Human & vehicle detection
- Perimeter intrusion detection
- Line crossing detection
- Stationary object detection
- Cross counting
- Heat map
- Crowd density detection
- Queue length detection

Camera

Image sensor	1/2.7" 5MP SmartSens CMOS
Effective pixels	2880(H)x1620(V)
Scanning system	Progressive scan
Electronic shutter speed	Auto, Manual; 1/5 s to 1/20,000 s
Minimum illumination	Color: 0.002Lux at F1.2 (AGC on) 3Lux with IR on
IR Distance	Distance up to 147' (45m)
IR On/Off control	Auto, manual
IR LEDs	4x850nm LEDs

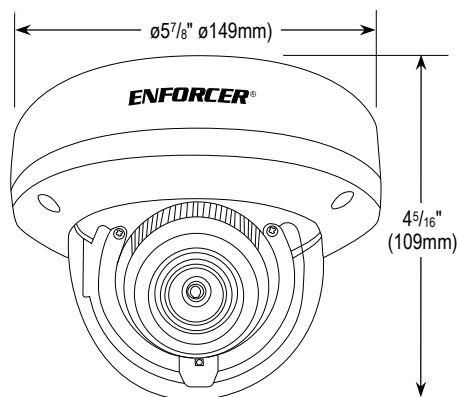
Lens

Lens type	Motorized
Focal length	2.8~12 mm
Maximum aperture	F1.8~3.3
Field of view	Horizontal: 107°~33.6° Vertical: 54.7°~18.90° Diagonal: 133.7°~37.6°

Video

Compression	H.265, H.264
Streaming capability	Triple (3) streams
Resolution	2880x1620, 2560x1440, 2304x1296, 1080p (1920x1080), 720p (1280x720)
Bit rate control	CBR/VBR
Bit rate	Main stream: 256 to 8192 Kbps Sub stream: 128 to 4096 Kbps Mobile stream: 8 to 1536 Kbps
Backlight	Disable (default), BLC, HLC, True WDR
White balance	Auto
Gain control	Auto
Noise reduction	3D DNR
Smart IR	Support
Image rotation	0°, 180°
Mirror	Disable, vertical, horizontal, all
Privacy masking	Off, on (4 areas, rectangle)
Region of interest	Support

Dimensions



Network

Ethernet	RJ45
Protocol	TCP/IP, HTTP, DHCP, DNS, DDNS, RTP, RTSP, SMTP, NTP, UPnP, SNMP, HTTPS, FTP
Interoperability	ONVIF® profiles G, S, and T conformant
Auto register	Support
Streaming method	Multicast
Max. user access	7
Web viewer	IE, Chrome, Firefox, Edge
On-board storage	Built in memory slot Supports up to 512GB MicroSD/SDHC/SDXC

Certifications

Certifications	CE, FCC, RoHS
ONVIF®	Profiles G, S, and T conformant
NDAA	Compliant

Electrical

Power supply	12VDC, or PoE (IEEE 802.3af Class 0)
Power consumption	< 6W

Environmental

Operating conditions	-40°~131° F (-40°~55° C) Less Than 95% RH
Storage conditions	-40°~140° F (-40°~60° C)
IP Rating	IP66 Weatherproof

Construction

Casting	Metal
Dimensions	ø5 7/8" x 4 5/16" (ø149x109 mm)
Weight	2-lb 1.2-oz (940g)

Accessories

Junction Box



EV-SDWQ

IP 5MP 2.8mm Mini Vandal Dome Camera

EV-N2506-2W4WMQ 2.8mm lens

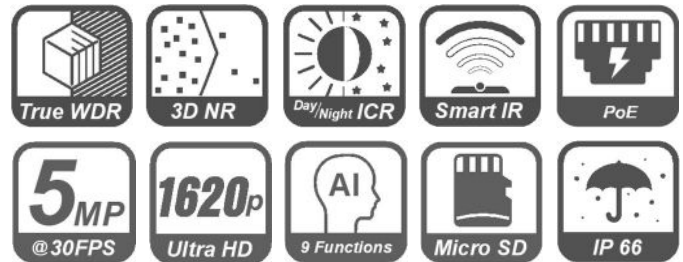


The ENFORCER Mini Vandal Dome Camera offers high-resolution video and advanced technology in a compact and accessible package. The camera features H.265 video compression, reducing bandwidth and storage requirements without giving up video quality. With True Wide Dynamic Range (WDR), Digital Noise Reduction (3DNR), and Day/Night (ICR) capabilities, the camera provides excellent picture quality.



Features

- 1/2.7" 5MP SmartSens CMOS Sensor
- 30FPS@5MP, 1620p (2880x1620)
- 2.8mm Lens
- Triple Stream Encoding
- H.265, H.264 and MJPEG
- True Wide Dynamic Range (WDR)
- Digital Noise Reduction (3DNR)
- True Day & Night Function ICR Module
- ICR Sensitivity adjustment
- Corridor mode
- Operating temperature: -40°~131° F (-40°~55° C)
- IP66 Weatherproof
- IR Range 66' (20m)
- Smart IRs adjust IR strength to conditions
- MicroSD slot (512GB, max.)
- PoE (IEEE 802.3af), 12VDC
- ONVIF® profiles G, S, and T conformant



AI Functions

- Face detection
- Human & vehicle detection
- Perimeter intrusion detection
- Line crossing detection
- Stationary object detection
- Cross counting
- Heat map
- Crowd density detection
- Queue length detection

Camera

Image sensor	1/2.7" 5MP SmartSens CMOS
Effective pixels	2880(H)x1620(V)
Scanning system	Progressive scan
Electronic shutter speed	Auto, Manual; 1/5 s to 1/20,000 s
Minimum illumination	Color: 0.1Lux at F1.2 (AGC on) 0Lux with IR on
IR distance	Distance up to 66' (20m)
IR on/off control	Auto, manual
IR LEDs	10x850nm LEDs

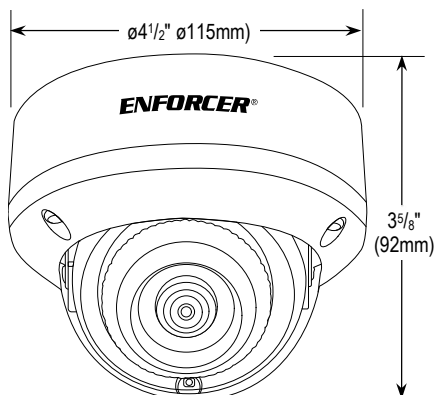
Lens

Lens type	Fixed
Focal length	2.8mm
Maximum aperture	F1.6
Field of view	Horizontal: 110° Vertical: 58° Diagonal: 133°

Video

Compression	H.265, H.264
Streaming capability	Triple (3) streams
Resolution	2880x1620, 2560x1440, 2304x1296, 1080p (1920x1080), 720p (1280x720)
Bit rate control	CBR/VBR
Bit rate	Main stream: 256 to 8192 Kbps Sub stream: 128 to 4096 Kbps Mobile stream: 8 to 1536 Kbps
Backlight	Disable (default) BLC, HLC, True WDR
White balance	Auto
Gain control	Auto
Noise reduction	3D DNR
Smart IR	Support
Image rotation	0°, 180°
Mirror	Disable, vertical, horizontal, all
Privacy masking	Off, on (4 areas, rectangle)
Region of interest	Support

Dimensions



Network

Ethernet	RJ45
Protocol	TCP/IP, HTTP, DHCP, DNS, DDNS, RTP, RTSP, SMTP, NTP, UPnP, SNMP, HTTPS, FTP
Interoperability	ONVIF® profiles G, S, and T conformant
Auto register	Support
Streaming method	Multicast
Max. user access	7
Web viewer	IE, Chrome, Firefox, Edge
On-board storage	Built in memory slot Supports up to 512GB MicroSD/SDHC/SDXC

Certifications

Certifications	CE, FCC, RoHS
ONVIF®	Profiles G, S, and T conformant
NDAA	Compliant

Electrical

Power supply	12VDC, or PoE (IEEE 802.3af Class 0)
Power consumption	< 6W

Environmental

Operating conditions	-40°~131° F (-40°~ 55° C) Less Than 95% RH
Storage conditions	-40°~140° F (-40°~60° C)
IP Rating	IP66 Weatherproof

Construction

Casting	Metal
Dimensions	ø4 1/2"x3 5/8" (ø115x92 mm)
Weight	1-lb 2.3-oz (520g)

Accessories

Junction Box



EV-SMWQ

IP Wall-Plate Camera



IP

PoE

STARVIS CMOS

ONVIF

1080p Resolution

Model Number

EV-N5205-3S4Q
IP, Wall-plate, 2.5mm, 2MP, PoE

Specifications

Sensor	1/2.8" 2MP Sony STARVIS™ CMOS	
Video encoding	H.265, H.264, MJPEG	
Resolution	2MP, (1920x1080)	
DNR	2DNR	Yes
	3DNR	Yes
D-WDR	Yes	
Lens	2.5mm	
IP Rating	IP65	
Operating voltage	12VDC, PoE (IEEE 802.3af)	
Operating temperature	32°~122° F (0°~50° C)	
Dimensions	2 ³ / ₄ "x4 ¹ / ₂ "x3 ¹ / ₁₆ " (70x114x78 mm)	
Weight	3.8-oz (110g)	

Features

- 1/2.8" 2MP Sony STARVIS™ CMOS
- H.265, H.264/MJPEG, Tri-stream IP Camera
- Max. 30FPS/Full HD 2MP (1920x1080)
- Weatherproof for indoor and outdoor use (IP65)
- Remote access via web browser
- Network Bandwidth Control
- Event Alarm, E-mail, FTP
- Function
- ONVIF Profile S
- Vandal-resistant metal front panel
- 3DNR & D-WDR
- 12VDC, PoE (IEEE 802.3af)

IP Corner-Mount Camera

Features

- 1440p resolution
- 1/2.8" 5MP Sony STARVIS™ CMOS
Designed to easily fit corners in office buildings, elevators, jail cells, and more
- 2.9mm Lens
- 12VDC and PoE 802.3af Operation
- Rugged, weather-resistant (IP65) design
- 10/100Mbps Ethernet interface (x24)
- ONVIF Profile S



IP

PoE

ONVIF

1440p Resolution

Model Number

EV-N4506-2S4Q
IP, Corner-mount, 2.9mm, 5MP, PoE

Specifications

CMOS	1/2.8" 5MP Sony IMX335
Max. streaming	1440p @30fps
Video output format	H.264/H.264, Tri-Stream IP Camera
Viewing angle	135°
IP Rating	IP65
# of IR LEDs	30 (940nm)
Dimensions	7 ¹ / ₂ "x5 ¹ / ₂ "x1 ¹ / ₁₆ " (190x140x43 mm)

IP PIR Camera

Features

- 1440p resolution
- 1/2.8" 5MP Sony CMOS
- 3.7mm Covert Pinhole Lens
- 12VDC and PoE 802.3af Operation
- 10/100Mbps Ethernet interface (x24)
- ONVIF Profile S
- Weather-resistant for indoor and outdoor use (IP65)
- 30FPS
- D-WDR
- 3DNR



IP

PoE

ONVIF

1440p Resolution










Model Number

EV-N6506-3W4Q
IP, PIR, 3.7mm, 5MP, PoE

Specifications

CMOS	1/2.8" 5MP Sony CMOS
Max. streaming	1440p @30fps
Video output format	H.265/MJPEG, Dual Stream
Viewing angle	120°
IP Rating	IP65
# of IR LEDs	18 Covert LEDs (940nm)
Dimensions	4 ¹ / ₁₆ "x2 ² / ₈ "x1 ⁵ / ₁₆ " (104x60x34 mm)

Camera Mounting Brackets

Conduit Box Brackets					
Model Numbers:	Compatible with:	Model Numbers:	Compatible with:	Model Numbers:	Compatible with:
EV-STWQ <i>Large turret, white</i> 	EV-N2506-NW4WQ EV-Y2501-AMWWQ	EV-SVWQ <i>Vandal dome, white</i> 	EV-Y2501-AMWAQ	EV-SMWQ <i>Mini vandal dome, white</i> 	EV-N2506-2W4WMQ
EV-SLGQ <i>Large turret, gray</i> 	EV-Y2501-AMGQ	EV-SLWQ <i>Large turret, white</i> 	EV-Y2501-AMWQ EV-Y2251-AMWQ	EV-SDWQ <i>Dome, white</i> 	EV-N2506-NW4WAQ
EV-SSGQ <i>Small turret, gray</i> 	EV-Y2501-A2GQ	EV-SSWQ <i>Small turret, white</i> 	EV-Y2501-A2WQ EV-Y2501-A2WWQ EV-Y2251-A2WQ EV-N2506-2W4Q EV-N2506-2W4WQ EV-N2506-2W4WLQ EV-N2806-2W4WQ	EV-SCWQ <i>Bullet, white</i> 	EV-N1506-2W4Q EV-N1506-2W4WQ EV-N1506-NW4WQ EV-Y1501-A2WQ EV-Y1501-AMWQ

Sample Applications



HD 5MP 2.8mm Turret Camera

EV-Y2501-A2WWQ 2.8mm Fixed Lens

HD

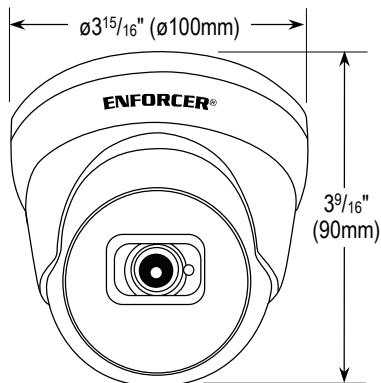
The ENFORCER HD 5MP Fixed Turret Camera offers high-resolution video and advanced technology in a compact and accessible package. With True Wide Dynamic Range (WDR), Digital Noise Reduction (3DNR) and Day/Night (ICR) capabilities, the camera provides excellent picture quality.

Features

- 1/2.8" 5MP Sony CMOS Sensor
- 20FPS@5MP, (2592x1944)
- 2.8mm Fixed lens
- TVI, CVI, AHD, CVBS (Analog)
- True Wide Dynamic Range (WDR)
- 3D Digital Noise Reduction (3DNR)
- True Day & Night Function with ICR Module
- IR Range 98' (30m)
- Operating temperature: -40°~131° F (-40°~55° C)
- Rugged weatherproof construction (IP66)
- Heavy-duty vandal-resistant design
- Cables concealed in bracket to prevent tampering
- 12VDC

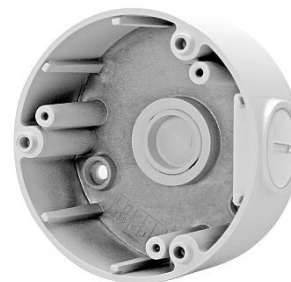


Dimensions



Accessories

Junction Box



EV-SSWQ

Camera

Image sensor	1/2.8" 5MP Sony CMOS
Effective pixels	2592(H)x1944(V)
Formats	TVI (Default) / CVI / AHD / Analog (CVBS)
OSD (On-screen display)	Yes
S/N ratio	35db
Minimum illumination	Color: 0.05Lux at F1.2 (AGC on) 0Lux with IR on
IR Distance	Distance up to 98' (30m)
IR LEDs	2x 850nm LEDS

Lens

Lens type	Fixed
Focal length	2.8mm
Maximum aperture	F1.6
Field of view	128°

Video

Resolution	2592x1944
WDR	Yes
Shutter control	Auto
White balance	Auto
Gain control	Auto
Noise reduction	3D DNR
Privacy masking	Off, on (4 areas, rectangle)

Certifications

Certifications	CE, FCC, RoHS
----------------	---------------

Electrical

Operating voltage	12VDC	
Current	IR On	440mA
Draw	IR Off	80mA

Environmental

Operating temperature	-40°~131° F (-40°~55° C)
IP Rating	IP66 Weatherproof

Construction

Casting	Metal
Dimensions	ø3 ¹⁵ / ₁₆ "x3 ⁹ / ₁₆ " (ø100x90 mm)
Weight	16.72-oz (474g)

HD 5MP 2.8~12 mm Varifocal Turret Camera

EV-Y2501-AMWWQ 2.8~12 mm Lens



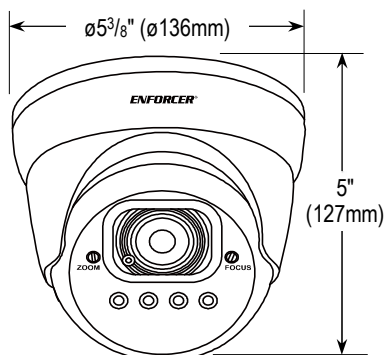
The ENFORCER HD 5MP Varifocal Turret Camera offers high-resolution video and advanced technology in a compact and accessible package. With True Wide Dynamic Range (WDR), Digital Noise Reduction (3DNR) and Day/Night (ICR) capabilities, the camera provides excellent picture quality.

Features

- 1/2.8" 5MP Sony CMOS Sensor
- 5MP@20FPS, (2592x1944)
- 2.8~12 mm Varifocal lens
- TVI, CVI, AHD, CVBS (Analog)
- True Wide Dynamic Range (WDR)
- 3D Digital Noise Reduction (3DNR)
- True Day & Night Function with ICR Module
- IR Range 115' (35m)
- Operating temperature: -40°~131° F (-40°~55° C)
- Rugged weatherproof construction (IP66)
- Heavy-duty vandal-resistant design
- Cables concealed in bracket to prevent tampering
- 12VDC



Dimensions



Accessories

Junction Box



EV-STWQ

Camera

Image sensor	1/2.8" 5MP Sony CMOS
Effective pixels	2592(H)x1944(V)
Formats	TVI (Default) / CVI / AHD / Analog (CVBS)
OSD (On-screen display)	Yes
S/N ratio	35db
Minimum illumination	Color: 0.05Lux at F1.2 (AGC on) 0Lux with IR on
IR Distance	Distance up to 115' (35m)
IR LEDs	4x 850nm LEDs

Lens

Lens type	Varifocal
Focal length	2.8~12 mm
Maximum aperture	F1.8~3.3
Field of view	37°~134°

Video

Resolution	2592x1944
WDR	Yes
Shutter control	Auto
White balance	Auto
Gain control	Auto
Noise reduction	3D DNR
Privacy masking	Off, on (4 areas, rectangle)

Certifications

Certifications	CE, FCC, RoHS
----------------	---------------

Electrical

Operating voltage	12VDC	
Current Draw	IR On	440mA
	IR Off	80mA

Environmental

Operating temperature	-40°~131° F (-40°~55° C)
IP Rating	IP66 Weatherproof

Construction

Casting	Metal
Dimensions	ø5 ³ / ₈ "x5" (ø136x127 mm)
Weight	1-lb 9.3-oz (720g)

HD 5MP 2.8mm Bullet Camera

EV-Y1501-A2WWQ 2.8mm Fixed Lens



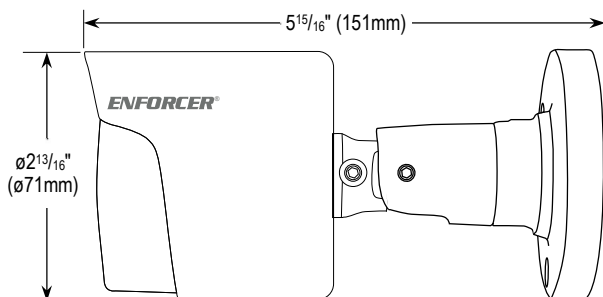
The ENFORCER HD 5MP Fixed Bullet Camera offers high-resolution video and advanced technology in a compact and accessible package. With True Wide Dynamic Range (WDR), Digital Noise Reduction (3DNR) and Day/Night (ICR) capabilities, the camera provides excellent picture quality.

Features

- 1/2.8" 5MP Sony CMOS Sensor
- 20FPS@5MP, (2592x1944)
- 2.8mm Fixed lens
- TVI, CVI, AHD, CVBS (Analog)
- True Wide Dynamic Range (WDR)
- 3D Digital Noise Reduction (3DNR)
- True Day & Night Function with ICR Module
- IR Range 98' (30m)
- Operating temperature: -40°~131° F (-40°~55° C)
- Rugged weatherproof construction (IP66)
- Heavy-duty vandal-resistant design
- Cables concealed in bracket to prevent tampering
- 12VDC



Dimensions



Accessories

Junction Box



EV-SCWQ

Camera

Image sensor	1/2.8" 5MP Sony CMOS
Effective pixels	2592(H)x1944(V)
Formats	TVI (Default) / CVI / AHD / Analog (CVBS)
OSD (On-screen display)	Yes
S/N ratio	35db
Minimum illumination	Color: 0.05Lux at F1.2 (AGC on) 0Lux with IR on
IR Distance	Distance up to 98' (30m)
IR LEDs	2x 850nm LEDs

Lens

Lens type	Fixed
Focal length	2.8mm
Maximum aperture	F1.6
Field of view	128°

Video

Resolution	2592x1944
WDR	Yes
Shutter control	Auto
White balance	Auto
Gain control	Auto
Noise reduction	3DNR
Privacy masking	Off, on (4 areas, rectangle)

Certifications

Certifications	CE, FCC, RoHS
----------------	---------------

Electrical

Operating voltage	12VDC	
Current Draw	IR On	440mA
	IR Off	80mA

Environmental

Operating temperature	-40°~131° F (-40°~55° C)
IP Rating	IP66 Weatherproof

Construction

Casting	Metal
Dimensions	ø2 ¹³ / ₁₆ "x5 ¹⁵ / ₁₆ " (ø71x151 mm)
Weight	0.7-lb (340g)

HD 5MP 2.8~12 mm Varifocal Bullet Camera

EV-Y1501-AMWWQ 2.8~12 mm Lens

HD

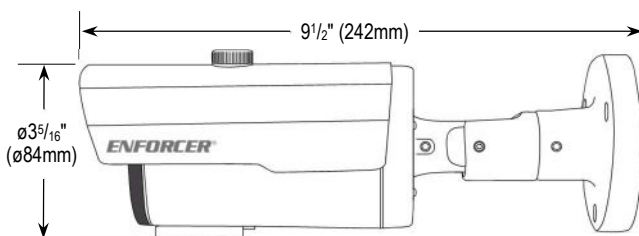
The ENFORCER HD 5MP Varifocal Bullet Camera offers high-resolution video and advanced technology in a compact and accessible package. With True Wide Dynamic Range (WDR), Digital Noise Reduction (3DNR) and Day/Night (ICR) capabilities, the camera provides excellent picture quality.

Features

- 1/2.8" 5MP Sony CMOS Sensor
- 5MP@20FPS, (2592x1944)
- 2.8~12 mm Varifocal lens
- TVI, CVI, AHD, CVBS (Analog)
- True Wide Dynamic Range (WDR)
- 3D Digital Noise Reduction (3DNR)
- True Day & Night Function with ICR Module
- IR Range 115' (35m)
- Operating temperature: -40°~131° F (-40°~55° C)
- Rugged weatherproof construction (IP66)
- Heavy-duty vandal-resistant design
- Cables concealed in bracket to prevent tampering
- 12VDC



Dimensions



Accessories

Junction Box



EV-SCWQ

Camera

Image sensor	1/2.8" 5MP Sony CMOS
Effective pixels	2592(H)x1944(V)
Formats	TVI (Default) / CVI / AHD / Analog (CVBS)
OSD (On-screen display)	Yes
S/N ratio	35db
Minimum illumination	Color: 0.05Lux at F1.2 (AGC on) 0Lux with IR on
IR Distance	Distance up to 115' (35m)
IR LEDs	4x 850nm LEDs

Lens

Lens type	Varifocal
Focal length	2.8~12 mm
Maximum aperture	F1.8~3.3
Field of view	37°~134°

Video

Resolution	2592x1944
WDR	Yes
Shutter control	Auto
White balance	Auto
Gain control	Auto
Noise reduction	3DNR
Privacy masking	Off, on (4 areas, rectangle)

Certifications

Certifications	CE, FCC, RoHS
----------------	---------------

Electrical

Operating voltage	12VDC	
Current	IR On	440mA
Draw	IR Off	80mA

Environmental

Operating temperature	-40°~131° F (-40°~55° C)
IP Rating	IP66 Weatherproof

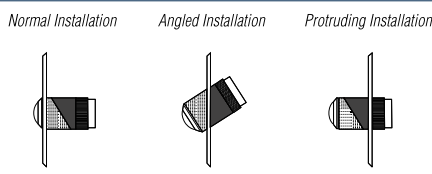
Construction

Casting	Metal
Dimensions	Ø3 ⁵ / ₁₆ "x9 ¹ / ₂ " (ø84x242 mm)
Weight	1-lb 6-oz (760g)

4-in-1 HD Wall-Plate Camera



Installation Options:



HD

STARVIS
CMOS

1080p
Resolution

Features

- 2.9mm Lens (155° viewing angle)
- 1/2.8" 2MP Sony STARVIS™ CMOS
- D-WDR (Digital Wide Dynamic Range)
- 2DNR (2D Digital Noise Reduction)
- Vandal-resistant
- Fits in a standard single-gang back box (not included)
- Adjustable mounting angle
- Each kit includes:
 - Camera
 - Single-gang plate
 - Slimline plate
 - Angled mounting rings
- Rugged, waterproof (IP67) design

Model Number

EV-Y5105-N2SQ
HD, Wall-plate, 2.9mm, 2MP, 12VDC

Specifications

Video output format	TVI / CVI / AHD / Analog	
CMOS	1/2.8" 2MP Sony STARVIS™ CMOS	
Resolution	1080p	
Video output	1.0Vp-p Complex video, 75Ω	
Lens	2.9mm	
Viewing angle	155°	
S/N Ratio	50dB	
Operating voltage	12VDC	
Current draw	130mA	
IP Rating	IP67	
Operating temperature	14°~122° F (-10°~50° C)	
Dimensions	Camera	1 ² / ₁₆ "x0 ¹¹ / ₈ " (36x028 mm)
	Single-gang plate	2 ³ / ₄ "x4 ¹ / ₂ " (70x114 mm)
	Slimline plate	1 ¹ / ₂ "x4 ¹ / ₂ " (38x114 mm)
Camera body weight	2.8-oz (80g)	

4-in-1 HD Corner-Mount Camera



HD

STARVIS
CMOS

DNR

1080p
Resolution

Features

- Supports HD TVI, CVI, AHD, and Analog formats
- 1200 TV Lines, 1080p resolution
- 1/2.8" 2MP Sony STARVIS™ CMOS
- 2.8mm ICR Lens
- 12VDC
- True Day & Night function with ICR mechanism
- 30 Covert IR SMT LEDs for discreet monitoring
- Built-in joystick OSD control
- Vandal-resistant metal front panel
- Designed to easily fit corners in office buildings, elevators, and more
- Rugged, weatherproof (IP65) design

Model Number

EV-Y4201-A2SQ
HD, Corner-mount, 2.8mm, 2MP, 12VDC

Specifications

Format	TVI / CVI / AHD / Analog
Viewing angle	130°
CMOS	1/2.8" 2MP Sony STARVIS™ CMOS
3DNR	Yes
D-WDR	Yes
IP rating	IP65
# of IR SMT LEDs	30 (940nm)
IR SMT LED range	Up to 82ft (25m)
Dimensions	7 ¹ / ₂ "x5 ¹ / ₂ "x1 ¹¹ / ₁₆ " (190x140x43 mm)
Weight	13.75-oz (390g)

4-In-1 HD Covert PIR Camera



HD

DNR

1440p
Resolution

Model Number

EV-Y6501-A3WQ
HD, PIR, 3.7mm, 5MP, 12VDC

Specifications

CMOS	1/2.8" 5MP Sony CMOS	
Resolution (HD)	2592x1944, 1440p	
Viewing angle	120°	
# of IR LEDs	18 Covert (940nm)	
IR Range	Up to 50ft (15m)	
FPS	20	
F Stop	2.2	
Minimum illumination	(IR On)	0.1 Lux
	(IR Off)	0.01 Lux
Operating voltage	80mA@12VDC	
IP Rating	IP65	
Operating temperature	-4°~140° F (-20°~60° C)	
Dimensions	4 1/16" x 2 3/8" x 1 5/16" (104x60x34 mm)	
Weight	12.3-oz (350g)	

Features

- Select between multiple formats: TVI, CVI, AHD, and Analog
- Joystick OSD Control
- D-WDR (Digital Wide Dynamic Range)
- Camera is hidden in a non-functioning PIR sensor housing
- 1/2.8" 5MP Sony CMOS
- 3.7mm Covert pinhole lens
- 18 Covert IR LEDs for discreet monitoring
- 1440p Resolution
- 2DNR (2D Digital Noise Reduction)

4-in-1 HD UFO Camera



HD

DNR

1080p
Resolution

Model Number

EV-Y6201-A3WQ
HD, UFO, 3.7mm, 2MP, 12VDC

Specifications

Viewing angle	90°	
CMOS	1/2.9" 2MP Sony CMOS	
3DNR	Yes	
D-WDR	Yes	
Onboard OSD	Yes	
Dimensions	3" x 1 15/16" (77x49 mm)	

Accessory

EV-6640SWQ
Optional surface-mount bracket



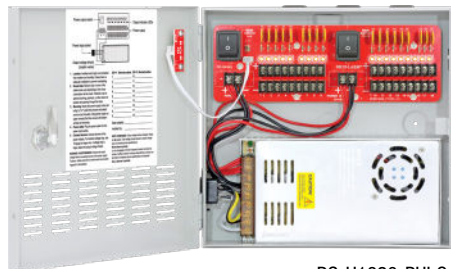
Features

- Supports HD TVI, CVI, AHD, and analog formats
- 1200 TV Lines, 1080p resolution
- 1/2.9" 2MP Sony CMOS
- 12VDC Operation
- Low-profile design, extends outward only one inch
- Day/Night operation captures images even in low light
- 3.7mm Pinhole lens
- Heavy-duty, vandal-resistant design
- Lens rotates to nearly any angle for flexible installation
- Rugged, weatherproof (IP66) design

12VDC Switching CCTV Power Supplies

Features

- 100~220 VAC Input*
- New lightweight, cost-effective design
- Improved efficiency
- Adjustable output to reduce voltage drop
- Outputs protected with PTC fuses
- Individual output status LEDs
- Heavy-duty steel case with cover
- Built-in short circuit and overheat protection



PC-U1820-PULQ shown



Model Numbers

PC-U0405-PULQ

4 Outputs, 5A cont., PTC fuses

PC-U0910-PULQ

9 Outputs, 10A cont., PTC fuses

PC-U1810-PULQ

18 Outputs, 10A cont., PTC fuses

PC-U1820-PULQ

18 Outputs, 20A cont., PTC fuses

PC-U1830-PULQ

18 Outputs, 30A cont., PTC fuses

Specifications

Model	PC-U0405-PULQ	PC-U0910-PULQ	PC-U1810-PULQ	PC-U1820-PULQ	PC-U1830-PULQ
Outputs	4	9	18	18	18
Total supply current	5A	10A	10A	20A	30A
Max. current per output	1.6A		1.1A	1.6A	1.85A
Output fuse	PTC				
Output voltage	11.0~13.8 VDC (adjustable by trimpot, ±10%)				
Input voltage*	100~220 VAC ±10% (47~63 Hz)			110/220 VAC (50/60 Hz)	
LED Indicators	Cover	Green: AC Input, Red: DC Output			
	PDM**	Red: DC Output			
Operating humidity	90% (non-condensing)				
Operating temperature	32°~104° F (0°~40° C)				
Dimensions	9 ⁷ / ₁₆ "x10 ¹ / ₄ "x2 ³ / ₈ " (240x260x60 mm)		10"x10 ⁵ / ₁₆ "x3 ¹ / ₈ " (254x262x79 mm)		
Weight	4-lb 3-oz (1.89kg)	4-lb 7-oz (2.01kg)	5-lb 2-oz (2.31kg)	6-lb 1-oz (2.76kg)	6-lb 4-oz (2.84kg)

* UL listed for 90~120 VAC ** Power distribution module

Rack-Mount Power Supply

Model Number

PH-U1820-PULQ

18 Outputs, 20A



Features

- 18 Outputs, 20A total
- PTC fuse protected outputs, 16 outputs at 1.6A and 2 outputs at 5A
- 11.7~13.6 VDC field-adjustable output
- 110/220 VAC Input with selection switch
- LCD Display of output voltage and total output current
- LED Status indicators for each output
- Removable screw terminal blocks for convenient installation and reliable connections
- For rack mounting or stacking on a shelf
- Compact 1U size fits standard racks
- Attractive, high-tech industrial design

Specifications

Input voltage	110/220 VAC (with selection switch)	
Input fuse	Glass, 10A	
Number of outputs	18	
Maximum current per output	Ch. 1~2	5A
	Ch. 3~18	1.6A
Output fuse type	PTC	
Output voltage	Adjustable, 11.7~13.6 VDC	
Rack-mount height	1U	
Operating humidity	Up to 90%, non-condensing	
Operating temperature	-14°~86° F (-26°~30° C)	
Dimensions	1 ³ / ₄ "x17 ¹ / ₂ "x7 ¹ / ₈ " (45x445x200 mm)	
Weight	5-lb 7-oz (2.47kg)	

Low-Noise CCTV Power Supply



Model Number

PC-L1620-PULQ
16 Outputs, 20A cont., PTC fuses

NEW

Specifications

Operating voltage	110/220 VAC (50/60Hz)
Outputs	16
Total supply current	20A
Max. current per output	1.25A
Output fuse	2A PTC (Per-channel)
Output voltage	12VDC ±5%
Efficiency	80%
LED Indicators	Individual per output, red indicates powered
Operating humidity	95% non-condensing
Operating temperature	32°~104° F (0°~40° C)
Dimensions	8" x 9 ³ / ₁₆ " x 3 ¹⁵ / ₁₆ " (204x250x100 mm)
Weight	6-lb (2.71kg)

Features

- Low-noise design for all CCTV applications where filtered power is needed, such as 4K (8MP) HD CCTV cameras, non-PoE IP cameras, and analog cameras
- 110/220 VAC input with 6kV surge protection
- Each output's voltage individually adjustable to compensate for voltage drop
- Outputs independently grounded with integrated noise filter for better noise reduction
- Outputs individually isolated and individually fused (2A PTC)
- Individual output status LEDs
- Heavy-duty steel case with cover and cam lock
- Built-in short circuit and overheat protection

4-Channel "Brick" Power Supply

Features

- 4-Channel, 5-Amp power distribution
- Can be mounted with the bracket for easy access and reduced power cord clutter
- Universal input voltage: 100~240 VAC
- Adjustable output voltage: 12~13.8 VDC
- Built-in 6.8-Amp overcurrent protection
- High voltage and overcurrent protection
- LED Power indicator



Model Number

PA-U0405-NULQ
4 Outputs, 5A Continuous

Power Adapters

Features

ST-UV12-S1.0Q, and ST-UV12-S2.0Q Only:

- Sideways plug for easy use on power strips
- Universal 100~240 VAC input
- Regulated 12VDC output
- 6ft (1.8m) Cord with 2.1mm plug (positive center)
- Low current drain

ST-UV12-S5.0Q Only:

- Convert AC input power to low-voltage DC output power
- LED Power indicator
- Universal 100~240 VAC input
- Regulated 12VDC output
- 6ft (1.8m) Cord with 2.1mm plug (positive center)
- Includes AC power cord (IEC320-C13)
- Low current drain



ST-UV12-S2.0Q

ST-UV12-S1.0Q



ST-UV12-S5.0Q



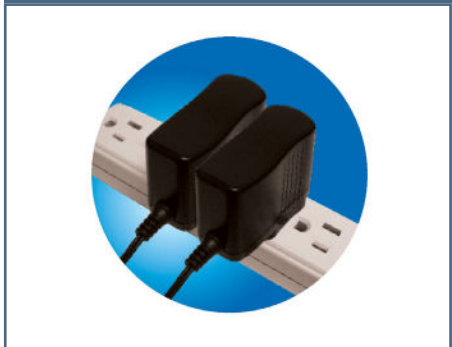
Model Numbers

ST-UV12-S1.0Q 1 Amp

ST-UV12-S2.0Q 2 Amps

ST-UV12-S5.0Q 5 Amps

Fits Easily with Power Strip



Power Converters

Features

- Three models available, providing varying degrees of low-voltage DC output
- Built-in overload protection
- Regulated and filtered output
- LED Indicates power input
- Red and blue LEDs indicate power output (ST-LA130-TTQ only)
- 2.1mm DC Plug with pigtail for simple and quick installations (ST-LA108-TPQ & ST-LA115-TPQ only)



ST-LA108-TPQ & ST-LA115-TPQ

Model Numbers

ST-LA108-TPQ / ST-LA115-TPQ
0.8A@12VDC / 1.5A@12VDC

ST-LA130-TTQ
3.0A@12/24 VDC



ST-LA130-TTQ

4-in-1 HD Video Distributor

Features

- Compatible with TVI, CVI, AHD, and Analog
- Distributes 1 video input to 2 video outputs
- Connect to a video camera, multiplexer, DVR, etc.
- LED Power indicator
- Signals are cleaned and buffered to ensure clear video over the camera's recommended maximum distance



Model Number

VA-1102B-WYQ
1 Input, 2 outputs

Rack-Mount Active Video Balun Hub



Features

- Rack-mount or stackable
- Transmits up to 3,940ft (1.2km) with passive baluns or 5,000ft (1.5km) with active transmitter
- Compact 1U mounts in a standard 19" rack
- Video in: 16 (terminal blocks)
- Video out: 32 (BNC connections)
- Power input: 12/24 VAC/VDC
- Includes 12VDC 1.5-Amp power adapter
- Current draw: 500mA
- Built-in video and data surge protection

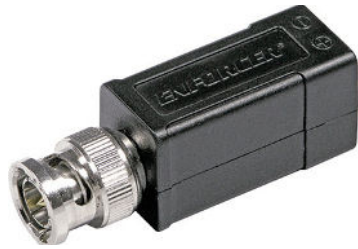
Model Number

EVT-AH16-VT2Q
16-Port active balun hub

Specifications

Video input	Unshielded Twisted Pair (UTP), removable terminal blocks
Video output ports	BNC, each 1.0Vp-p, 75Ω
Active to active range	5,000' (1.5km)
Passive to active range	3,940' (1.2km)
Video format	NTSC, PAL, SECAM
Power	Dual voltage: 12/24 VAC/VDC (1.5A@12VDC adapter included)
Surge protection	Video
Operating temperature	32°~131° F (0°~55° C)
Weight	5-lb (2.2kg)
Material	Steel cabinet, black matte finish

4-in-1 HD Passive Video Baluns



EB-P101-01HQ



EB-P101-20HQ

HD

4K

Model Numbers

EB-P101-01HQ

Standard balun

EB-P101-20HQ

Balun with 6" pig-tail

Specifications

Range over 4K	
HD-TVI	4MP-590ft (180m) 4K-426ft (130m)
HD-CVI	4MP/4K - 656ft (200m)
HD-AHD	4MP-656ft (200m) 4K-492ft (150m)
Analog	4MP/4K - 1,312ft (400m)

Features

- 4-in-1 TVI / CVI / AHD / Analog video
- up to 4K
- PAL / NTSC / SECAM compatible
- Built-in TVS surge protection
- Anti-static and wave filters
- Lightning protection – Grade III
- 60dB Crosstalk and noise immunity
- Real-time transmission over low-cost Cat5e/6 instead of costly coaxial
- Exceptional interference rejection
- Passive operation – No external power required
- Quick-connect terminals for easy installation
- Small size allows mounting of multiple baluns behind a DVR

4-in-1 HD Video Power Balun

Features

Includes all features listed above plus:

- Transmits video and power over Cat5e/6
- Pigtails for flexible installation
- Fast and easy to install
- Sold as a set



HD

Model Number

EB-P101-20PHQ

Power video balun

Specifications

Range over 4/5MP	
HD-TVI	1080p-820ft (250m), 5MP-590ft (180m)
HD-CVI	1080P-820ft (250m), 4MP 656ft (200m)
HD-AHD	1080p-820ft (250m), 5MP 590ft (180m)
Analog	Up to 1,312ft (400m)

4-in-1 HD Balun with Pass-Through

Features

Includes all features listed above plus:

- Patented ergonomic design includes built-in terminals for power or data pass-through
- Terminal blocks - No crimping required

Patented



HD

4K

Model Number

EB-P501-02HQ

Balun with pass-through

Specifications

Range over 4K	
HD-TVI	Up to 656ft (200m)
HD-CVI	Up to 820ft (250m)
HD-AHD	Up to 820ft (250m)
Analog	Up to 1,312ft (400m)

PoE Switches

Model Numbers

PoE

NS-104UT-MAQ
Unmanaged PoE switch, 4-Port

NS-508UT-GAQ
Unmanaged gigabit PoE switch, 8-Port



NS-508UT-GAQ



NS-104UT-MAQ

Features

- Provides both Ethernet data and power to multiple PoE devices including IP cameras, IP access, VOIP, IP speakers/intercoms, etc.
- Specially designed for video transmission with fast packet forwarding capability for clear images and smooth transmission
- 2 Uplink ports
- Easy plug-and-play installation
- Supports 10,100BaseT (NS-508UT-GAQ supports up to 1000BaseT)
- IEEE 802.3x Flow control – can operate as transmitter and receiver
- Sold as a set

PoE Extenders

Model Numbers

PoE

NR-P101E-TQ
Gigabit PoE extender, outdoor,
1-input to 1-output

NR-P401E-TQ
Gigabit PoE extender, 1-input to 4-output



NR-P101E-TQ



NR-P401E-TQ

Features

- Extends the range of PoE Ethernet devices over Cat5e or higher cables an additional 328ft (100m)
- Connects 10,100,1000BaseT PoE devices including cameras, VOIP, etc.
- Supports up to gigabit transmission rates
- Compliant with IEEE 802.3af, IEEE 802.3at
- Passive operation – no external power required
- Easy plug-and-play installation
- Automatically detects PoE equipment and protects from damage due to faulty installation
- Complies with FCC and CE class B EMI standards

NR-P401E-TQ

- 4 Output ports for up to 4 PoE devices
- Also compliant with IEEE 802.3bt 4 pairs

Passive Ethernet over Coax

Features

- 1 Channel Ethernet over coax
- 10/100 Mbps Full duplex
- Transmission distance: 650ft (200m)
- Link Cable: RG59/U or better
- Passive operation - no external power required
- Built-in surge protection
- Fast and easy to install
- Bidirectional – can operate as transmitter and receiver
- Sold as a set



Model Number

NE-SE01-020Q
Up to 650ft (200m)

PoE Repeater

Features

- Extends power and data beyond the normal limit of 328ft (100m)
- Standard PoE IEEE 802.3af compliant
- Installs on Cat5e/6 4-pair UTP cable with RJ45 jacks
- Supports 10/100/1000BASE-T transmission rates
- Easy plug-and-play installation
- Passive operation – no external power required
- Auto-sensing for detecting PoE or non-PoE devices
- Built-in LED status indicators
- Sealed and fanless for increased reliability
- Compact, wall-mountable



PoE

Model Number

NR-P101FQ
802.3af Compliant

PoE Injector

Model Number

PoE

NJ-P101M-PQ
Basic PoE Splitter/Injector



Features

- Includes splitter and injector
- Works with all DC powered non-PoE devices up to 50VDC
- Supports up to 100Mb/s networks
- Use existing Cat5e/6 wiring to extend power to non-PoE devices
- Plug & play installation
- For distances up to 328ft (100m)

SECO-LARM U.S.A., Inc.
 16842 Millikan Avenue
 Irvine, CA 92606
 Phone: (800) 662-0800
 (949) 261-2999
 Fax: (949) 261-7326
 Email: sales@seco-larm.com



CCTV Condensed Catalog

CCTV and Accessories



Manufacturers of reliable security systems and accessories since 1971.



Many other products and accessories, including connectors, converters, surge protectors, and more are also available.
 For a complete listing, visit www.seco-larm.com and consult our full catalog.

www.seco-larm.com



SECO-LARM's Security Systems and Accessories are protected by the following patents
 U.S. pat. nos. 7800644, 7164357, 6109110, 5760680, 5751072, 5739749, 5648754, 5483225, 5473305, 5298879, 5216407, 5084697, 4980666, 4975678, 4926160, 4835518, 4810998, 4761631, 4706064, 4700332, 4679033, 4550229, 4546629, 4543568, 4507945, 11246035B2, D485774, D479708, D350494, D319196, D314791
 Taiwan pat. nos. 158210, 133076, 118811, 116977, 105843, 100701, 94510, 89463, 86123, 84396, 76872, 75669, 66042, 61565, 59176, 56767, 52421, 50612, 46459, 43239, 40938, 40244, 39225, 37977, 37422, 35025, 33687, 33261, 33201, 32844, 32435, 32409, 31633, 30905, 30897, 30432, 30060, 28883, 28112, 26690, 24477, 23474, 22073, 21111, 20786, 20380, 19593, 18971, 17724, 16672, 16021, 15469, 14658, 12398, 11699, 9191, 3724, M335856, M328028, M319465, 319309, M589871, D164774, I699990
 U.K. pat. nos. 2279792, 2271009, 2215895, 2179482, 2177797, 2177529, 2141480, 2036522, 1041888
 German pat. nos. 29600370.0, G9203004.1, G9203003.3, G9212809.2
 Hungary pat. no. 85927 Sweden pat. no. 9202706.9
 Japan pat. no. 1882619 Korea pat. nos. 35097, 32332
 China pat. nos. ZL200720126532.5, ZL2006200113040.8, ZL03311103.0, ZL02305808.0, ZL97312768.6, ZL96249150.0, ZL95201587.0, ZL94300564.7, ZL201430057105.1, ZL202010264071.8
 Other international patents are pending

Copyright © 2023 SECO-LARM U.S.A., Inc. All rights reserved.
 Trademarks are the property of SECO-LARM U.S.A., Inc. or their respective owners.
 The SECO-LARM policy is one of continual development. For that reason, SECO-LARM reserves the right to change prices and specifications without notice. SECO-LARM is not responsible for misprints.

ISO 9001 Quality You Can Count On!

Anyone can talk about quality. But can they make sure the products you source offer consistent quality, order after order?

SECO-LARM's quality control management system is compliant with all the requirements of ISO 9001, the accepted measure of quality worldwide

ISO 9001 is not another quality control theory. SECO-LARM's entire manufacturing process was probed in great detail by an independent quality system certification body, and was found compliant with internationally accepted quality standards.

A quality management system certified as ISO 9001 compliant ensures that SECO-LARM can deliver products that meet your quality requirements time and time again.

ISO 9001. World-class quality management from a world-class security manufacturer.



2023-C3B

Order Part# AD-CAT-ECCE

2023_CCTV Catalog_230301.indd