

ENFORCER®

DIP-Switch Coded Long-Range RF Transmitter

HL-951T1-SDQ (917MHz)

Installation Manual



The ENFORCER HL-Series RF transmitters and receivers offers significantly increased range with greatly increased immunity to interference, whether physical obstacles, temperature extremes, or other environmental factors. DIP-switch coding allows you to easily program multiple transmitters with the same code and easily change the code later if needed. This can be very useful for job sites, gated communities, and any situation where multiple users need to control the same receiver.

-
- Includes one 3VDC lithium battery (CR-2032)
 - Operating range up to 1,800ft (550m)*
 - LED transmission and low-battery indicator
 - Compatible with all SECO-LARM HL-series receivers of the same frequency
 - Waterproof – IP68
 - Also available without logo – HL-951T1-SDUQ

*Actual range will vary depending on the installation and operating environment

SECO-LARM®

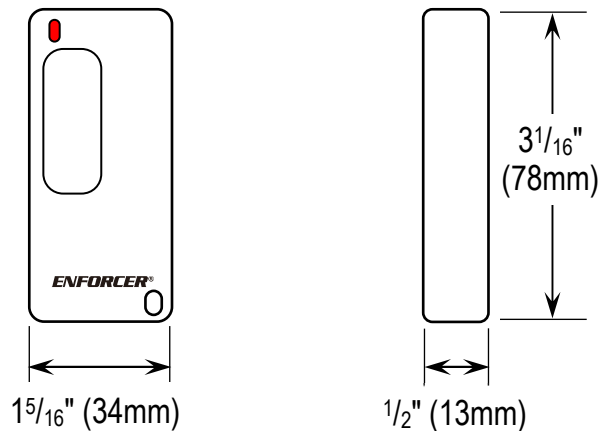
Specifications

Type	DIP-Switch programmed
Power	1x 3VDC button battery (CR-2032, included)
Battery life	Up to 10 years*
RF Frequency	917MHz†
Operating range	up to 1,800ft (550m)‡
# of Buttons	1
Channels	1
Code combinations	254 with 8-pin DIP switch
IP Rating	IP68 Waterproof
Dimensions	3 ¹ / ₁₆ "x1 ⁵ / ₁₆ "x1 ¹ / ₂ " (78x34x13 mm)

*Calculated based on ten 1-second button presses per day. †868MHz also available which has CE certification

‡Actual operating range will vary based on installation and operating environment

Dimensions



DIP Switch Coding

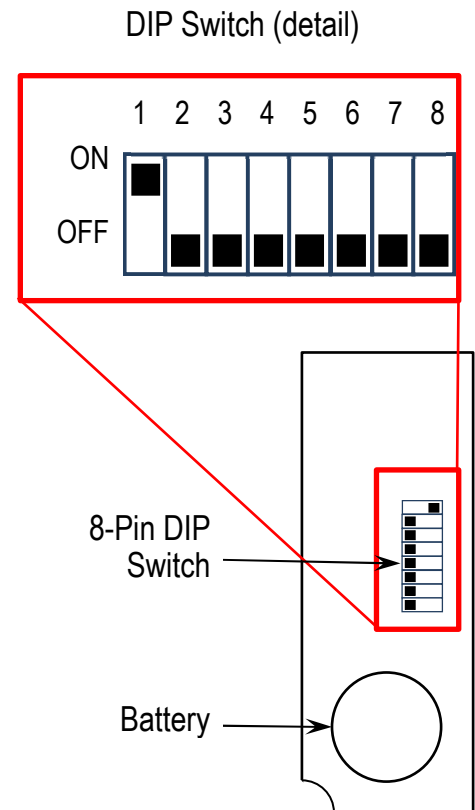
The HL 951T1 SDQ can be programmed to one of 254 unique codes using an 8 pin DIP switch (see PCB diagram and detail in Fig. 1).

1. Open the case and, using a small tool, set any combination of switches as desired, noting your choice (default, 1 - ON, 2~8 - OFF).
2. Repeat with any other transmitters that require the same code.
3. Program your receiver to learn your code.

NOTES

- The LED indicator will flash slowly when the button is pressed to indicate a low battery.
- DIP switches cannot be set to *all ON* or *all OFF*.

Fig. 1



Troubleshooting

- | | |
|--------------------------------------|--|
| Receiver is unable to learn the code | <ul style="list-style-type: none">• Ensure that the DIP switches are not set to <i>all ON</i> or <i>all OFF</i>. At least one must be set to be different from the rest. |
| Range is diminished | <ul style="list-style-type: none">• Check the battery. Change to a fresh battery if needed. |

Accessories Available from SECO-LARM

HL-Series 1-Channel Receiver



HL-951R1-SQ

HL-Series 2-Channel Receiver



HL-951R2-SQ

3VDC Lithium Battery (CR-2032)



X-930-096

FCC COMPLIANCE STATEMENT (HL-951T1-SDQ)

FCC ID: K4E951T1SW

THIS DEVICE COMPLIES WITH PART 15 OF THE FCC RULES. OPERATION IS SUBJECT TO THE FOLLOWING TWO CONDITIONS: (1) THIS DEVICE MAY NOT CAUSE HARMFUL INTERFERENCE AND (2) THIS DEVICE MUST ACCEPT ANY INTERFERENCE RECEIVED, INCLUDING INTERFERENCE THAT MAY CAUSE UNDESIRE OPERATION.

Notice: The changes or modifications not expressly approved by the party responsible for compliance could void the user's authority to operate the equipment.

IMPORTANT NOTE: To comply with the FCC RF exposure compliance requirements, no change to the antenna or the device is permitted. Any change to the antenna or the device could result in the device exceeding the RF exposure requirements and void user's authority to operate the device.

IMPORTANT: Users and installers of this product are responsible for ensuring that the installation and configuration of this product complies with all national, state, and local laws and codes. SECO-LARM will not be held responsible for the use of this product in violation of any current laws or codes.

California Proposition 65 Warning: These products may contain chemicals which are known to the State of California to cause cancer and birth defects or other reproductive harm. For more information, go to www.P65Warnings.ca.gov.

WARRANTY: This SECO-LARM product is warranted against defects in material and workmanship while used in normal service for one (1) year from the date of sale to the original customer. SECO-LARM's obligation is limited to the repair or replacement of any defective part if the unit is returned, transportation prepaid, to SECO-LARM. This Warranty is void if damage is caused by or attributed to acts of God, physical or electrical misuse or abuse, neglect, repair or alteration, improper or abnormal usage, or faulty installation, or if for any other reason SECO-LARM determines that such equipment is not operating properly as a result of causes other than defects in material and workmanship. The sole obligation of SECO-LARM and the purchaser's exclusive remedy, shall be limited to the replacement or repair only, at SECO-LARM's option. In no event shall SECO-LARM be liable for any special, collateral, incidental, or consequential personal or property damage of any kind to the purchaser or anyone else.

NOTICE: The SECO-LARM policy is one of continual development and improvement. For that reason, SECO-LARM reserves the right to change specifications without notice. SECO-LARM is also not responsible for misprints. All trademarks are the property of SECO-LARM U.S.A., Inc. or their respective owners. Copyright © 2023 SECO-LARM U.S.A., Inc. All rights reserved.

SECO-LARM® U.S.A., Inc.

16842 Millikan Avenue, Irvine, CA 92606
Phone: (949) 261-2999 | (800) 662-0800

Website: www.seco-larm.com
Email: sales@seco-larm.com



PITSW1

MI_HL-951T1-SDQ_WEB_230612.docx