

IP Fixed Bullet Camera

EV-N1506-2W4Q

Features

- 1/2.7" 5MP SMARTSENS CMOS
- H.265/H.264, Tri-stream IP Camera
- 12VDC, PoE 802.3af
- True Day & Night function with ICR mechanism
- IR Range up to 98' (30m)
- Max. 20FPS/5MP, 1440p (2592x1944)
- Weather-resistant (IP66)
- 3DNR
- D-WDR
- ONVIF Profile S, Profile G
- Conduit Box available EV-SBWQ

Specifications

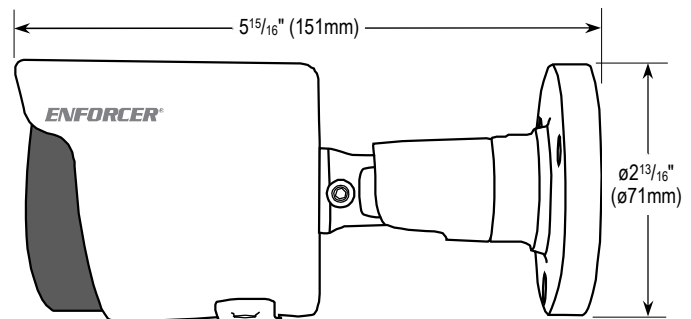
Type	Fixed Bullet Camera	
Sensor	1/2.7" 5MP SMARTSENS CMOS	
Video encoding	H.265/H.264	
Megapixels	5MP	
Resolution	1440p, 2592x1944	
DNR	2DNR	N/A
	3DNR	Yes
Scanning system	Progressive 1080p	
# of IR LEDs	2pcs (850nm)	
IR Range	Up to 98' (30m)	
Lens	2.8mm	
Viewing angle	131°	
Minimum illumination	0.05 Lux	
F Stop	1.2	
Gamma correction	Auto	
S/N Ratio	N/A	
Gain control	Auto	
White balance	Auto	
Operating voltage	12VDC, PoE 802.3af	
Current draw (IR Off)	80mA max.	
IP Rating	IP66	
Operating temperature	-22°~131° F (-30°~55° C)	
Dimensions	ø2 ¹³ / ₁₆ " x 5 ¹⁵ / ₁₆ " (ø71x151 mm)	
Weight	13.4-oz (370g)	



NDAA
COMPLIANT



Dimensions



SECO-LARM® U.S.A., Inc.

16842 Millikan Avenue, Irvine, CA 92606

Phone: (949) 261-2999 | (800) 662-0800 Fax: (949) 261-7326

Website: www.seco-larm.com Email: sales@seco-larm.com



Copyright © 2021 SECO-LARM U.S.A., Inc. All rights reserved.
All trademarks are the property of SECO-LARM U.S.A., Inc. or their respective owners.
The SECO-LARM policy is one of continual development. For that reason, SECO-LARM reserves the right to change prices and specifications without notice. SECO-LARM is not responsible for misprints.

SECO-LARM® ENFORCER® CRIMEBUSTER® CBA® SLI®

PI_EV-N1506-2W4Q_230707.docx