

IP Wall-Plate Camera

EV-N5205-3S4Q

Features:

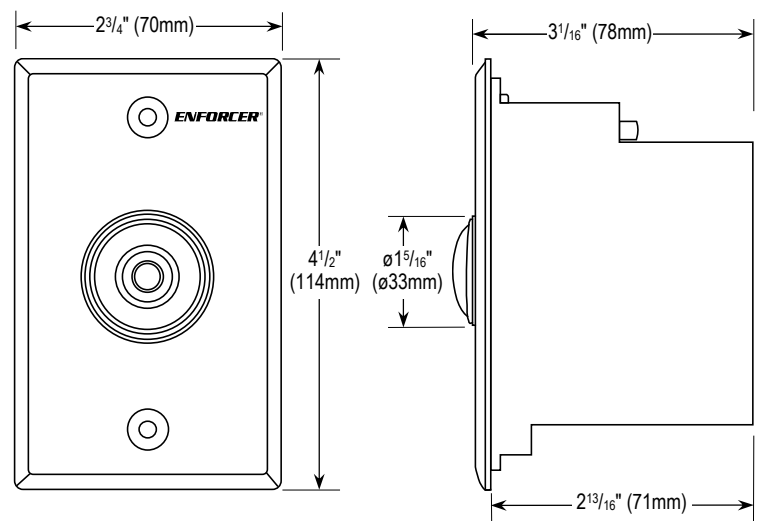
- 1/2.8" 2MP Sony STARVIS™ CMOS
- H.265, H.264/MJPEG, Tri-stream IP Camera
- Max. 30FPS/Full HD 2MP (1920x1080)
- IP65 Weather-resistant*
- Remote access via web browser
- Network Bandwidth Control
- Event Alarm, E-mail, FTP Function
- ONVIF Profile S
- Vandal-resistant metal front panel
- 3DNR & D-WDR
- 12VDC, PoE (IEEE 802.3af)



Specifications:

Type	Wall-plate Camera	
Sensor	1/2.8" 2MP Sony STARVIS™ CMOS	
Video encoding	H.265, H.264, MJPEG	
Resolution	2MP, (1920x1080)	
DNR	2DNR	Yes
	3DNR	Yes
D-WDR	Yes	
Lens	2.5mm	
Viewing angle	120°	
Minimum illumination	0.01 Lux	
F Stop	2.0	
Gamma correction	0.45	
S/N Ratio	50dB	
Gain control	Auto	
White balance	Auto	
Operating voltage	12VDC, PoE (IEEE 802.3af)	
Current draw	140mA max.	
Operating temperature	32°~122° F (0°~50° C)	
Dimensions	2 3/4" x 4 1/2" x 3 1/16" (70x114x78 mm)	
Weight	3.8-oz (110g)	

Dimensions:



*Use silicone sealant for weather-resistant installation

SECO-LARM® U.S.A., Inc.

16842 Millikan Avenue, Irvine, CA 92606

Phone: (949) 261-2999 | (800) 662-0800 Fax: (949) 261-7326

Website: www.seco-larm.com Email: sales@seco-larm.com



Copyright © 2020 SECO-LARM U.S.A., Inc. All rights reserved.
All trademarks are the property of SECO-LARM U.S.A., Inc. or their respective owners.
The SECO-LARM policy is one of continual development. For that reason, SECO-LARM reserves the right to change prices and specifications without notice. SECO-LARM is not responsible for misprints.

SECO-LARM® ENFORCER® CRIMEBUSTER® CBA® SLI®

PI_EV-N5205-3S4Q_230707.docx