

### Electromagnetic Gate Lock with Door Cord

**E-942FC-600AR** 600-lb Holding Force

**E-942FC-1K2AR** 1,200-lb Holding Force



The SECO-LARM Electromagnetic Gate Lock with Door Cord combines a strong and durable gate lock with an armored door cord for ease of installation and greater security. With variants of both 1,200-lb (544kg) and 600-lb (272kg) holding force, it is suitable for almost any gate installation and can be installed horizontally as well as vertically.



E-942FC-1K2AR shown

#### Features

- 12/24 VDC
- For use with nearly all types of outdoor sliding and swinging electric gates
- Low current draw of 500mA@12VDC, 250mA@24VDC
- Can be mounted horizontally or vertically
- 18" (457mm) Armored door cord with terminal block encased in a housing with security screws (security wrench included)
- IP65 Weatherproof
- Limited Lifetime Warranty

**18"**  
Armored  
Cord

**Low**  
Current  
Draw

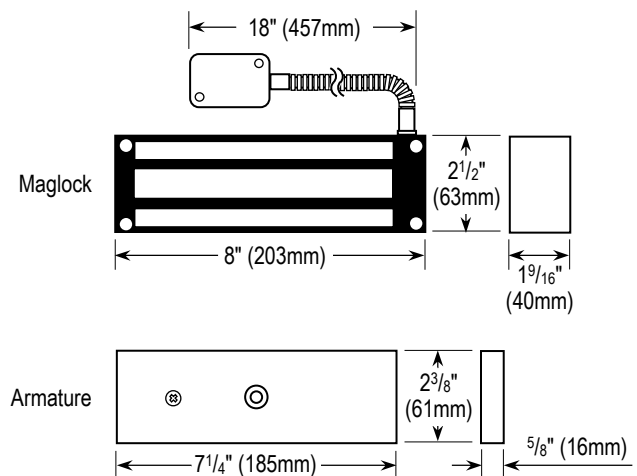
**12/24**  
VDC

**Terminal**  
Block  
Housing

#### Specifications

Model	E-942FC-600AR	E-942FC-1K2AR
Operating voltage	12/24 VDC	
Holding force	600-lb (272kg)	1,200-lb (544kg)
Current	500mA	
draw (max.)	250mA	
IP Rating	IP65 Weatherproof	
Connections	18" Armored door cord	
Operating temperature	14°~131° F (-10°~55° C)	
Dimensions	Maglock	8"x1 1/16"x1 9/16" (203x43x40 mm)
	Armature	7 1/4"x1 5/8"x9/16" (185x41x14 mm)
Weight	Maglock	4-lb 2-oz (1.86kg)
	Armature	2-lb (0.9kg)

#### Overview



E-942FC-1K2AR shown. E-942FC-600AR similar except dimensions

#### SECO-LARM® U.S.A., Inc.

16842 Millikan Avenue, Irvine, CA 92606

Phone: (949) 261-2999 | (800) 662-0800 Fax: (949) 261-7326

Website: www.seco-larm.com Email: sales@seco-larm.com



Copyright © 2023 SECO-LARM U.S.A., Inc. All rights reserved. All trademarks are the property of SECO-LARM U.S.A., Inc. or their respective owners. The SECO-LARM policy is one of continual development. For that reason, SECO-LARM reserves the right to change prices and specifications without notice. SECO-LARM is not responsible for misprints.

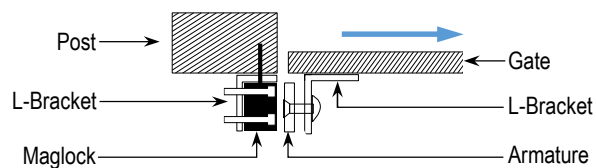
**SECO-LARM® ENFORCER® CRIMEBUSTER® CBA® SLI®**

PI\_E-942FC-xxxAR\_230624.docx

## Sample Installations

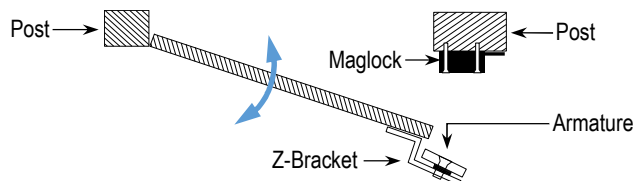
### Sliding Gate

If the gate slides away from a fixed gate post, use two L-brackets (see *Accessories* below) to mount the electromagnet to the post and the armature to the gate perpendicular to each other. The cord will often be hidden within the gate post if possible.



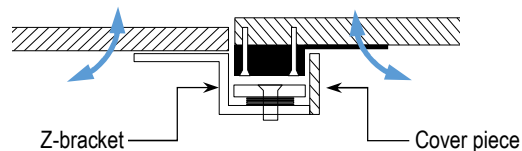
### Single-Swing Gate

To install on a gate that swings on one end and closes on a fixed gate post, the most common installation is to mount the electromagnet to the gate post and mount the armature to the free end of the gate with an optional Z-bracket (see *Accessories* below).



### Double-Swing Gate

When two gates swing in the same direction when activated, the electromagnet is fixed to the free end of one gate, and the armature is fixed to the free end of the other gate using an optional Z-bracket (see *Accessories* below). A cover piece should also be attached to the Z-bracket as shown to help prevent unauthorized users from prying the armature and the electromagnet apart.



## Accessories

### Z-Brackets



E-942F-600/Z (for 600-lb)  
E-942F-1300/ZQ (for 1,200-lb)

### L-Brackets



E-942F-600/L (for 600-lb)  
E-942F-1300/L (for 1,200-lb)

### Weldable Brackets



E-942F-600G/WQ (for 600-lb)  
E-942F-1K2G/WQ (for 1,200-lb)