

IP 8MP Ultra-Low-Light Active Deterrence Turret Camera



EV-N2806-2W4D 2.8mm Lens

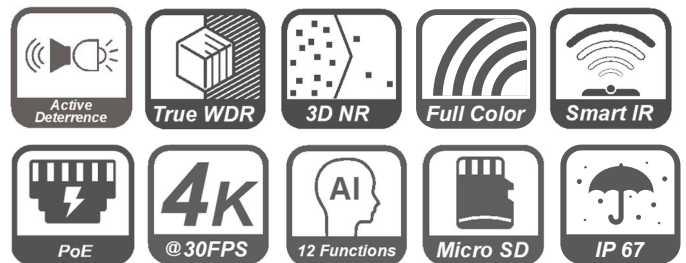
The ENFORCER Ultra-Low-Light Active Deterrence Turret Camera combines 4K-resolution with Active Deterrence. Using a Sony CMOS sensor and ultra-low-light technology, the camera adjusts color information to provide clear images even in dark environments. With Active Deterrence the camera uses AI to distinguish between environmental issues and actual threats and uses red/blue LEDs and sound to warn off intruders, for significantly increased security.

Features

- Active Deterrence – uses light and sound to warn intruders they are being monitored, providing an extra level of protection
- Upload your own custom message to play when an alarm is triggered (WAV or PCM format, up to 256KB)
- 1/1.8" 8MP Sony CMOS Sensor
- Ultra-low-light technology
- 4K@30FPS, 2160p (3840x2160)
- 2.8mm, F1.0 Lens
- Tri-Stream Encoding: H.265, H.264 and MJPEG
- Corridor mode
- Operating temperature: -40°~131° F (-40°~55° C)
- IP67 Weatherproof
- MicroSD slot (512GB max.)
- PoE (IEEE 802.3af), 12VDC

AI Functions

- Face detection
- Facial recognition
- Human & vehicle detection
- Perimeter intrusion detection
- Line crossing detection
- Stationary object detection
- Cross counting
- Heat map
- Crowd density detection
- Queue length detection
- License plate detection
- License plate recognition



ONVIF is a trademark of ONVIF, Inc.

SECO-LARM® U.S.A., Inc.

16842 Millikan Avenue, Irvine, CA 92606

Phone: (949) 261-2999 | (800) 662-0800 Fax: (949) 261-7326

Website: www.seco-larm.com Email: sales@seco-larm.com



Copyright © 2024 SECO-LARM U.S.A., Inc. All rights reserved. All trademarks are the property of SECO-LARM U.S.A., Inc. or their respective owners. The SECO-LARM policy is one of continual development. For that reason, SECO-LARM reserves the right to change prices and specifications without notice. SECO-LARM is not responsible for misprints.
SECO-LARM® ENFORCER® CRIMEBUSTER® CBA® SLI®

PI_EV-N2806-2W4D_231218.docx

Camera

Image sensor	1/1.8" 8MP Sony CMOS
Effective pixels	3840(H)x2160(V)
Scanning system	Progressive scan
Electronic shutter speed	Auto, manual; 1/5 s to 1/20,000 s
Minimum illumination	Color: 0.0005Lux at F1.0 (AGC on) 0Lux with Warmlight on
Warmlight viewable length	Distance up to 82' (25m)
LEDs	2x Warmlight, 1x red, 1x blue

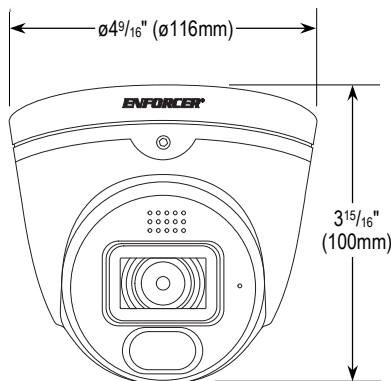
Lens

Lens type	Fixed
Focal length	2.8mm
Maximum aperture	F1.0
Field of view	Horizontal: 110° Vertical: 59° Diagonal: 132°

Video

Compression	H.265, H.264
Streaming capability	Triple (3) streams
Resolution	2880x1620, 2560x1440, 2304x1296, 1080p (1920x1080), 720p (1280x720)
Bit rate control	CBR/VBR
Bit rate	Main stream: 256 to 16384 Kbps Sub stream: 128 to 4096 Kbps Mobile stream: 8 to 1536 Kbps
Backlight	Disable (default), BLC, HLC, True WDR
White balance	Auto
Gain control	Auto
Noise reduction	3D DNR
Image rotation	0°, 180°
Mirror	Disable, vertical, horizontal, all
Privacy masking	Off, on (4 areas, rectangle)
Region of interest	Support
Active deterrence	Support

Dimensions



Network

Ethernet	RJ45
Protocol	TCP/IP, HTTP, DHCP, DNS, DDNS, RTP/RTSP, SMTP, NTP, UPnP, SNMP, HTTPS, FTP
Interoperability	ONVIF® profiles G, S, and T conformant
Auto register	Support
Streaming method	Multicast / Unicast
Max. user access	7
Web viewer	IE, Chrome, Firefox, Edge
On-board storage	Built in memory slot Supports up to 512GB MicroSD/SDHC/SDXC

Certifications

Certifications	CE, FCC, RoHS
ONVIF®	Profiles G, S, and T conformant
NDAA	Compliant

Electrical

Power supply	12VDC, or PoE (IEEE 802.3af Class 0)
Power consumption	< 6W

Environmental

Operating conditions	-40°~131° F (-40°~55° C) Less Than 95% RH
Storage conditions	-40°~140° F (-40°~60° C)
IP Rating	IP67 Weatherproof

Construction

Casting	Metal
Dimensions	ø4 9/16" x 3 15/16" (ø116x100 mm)
Weight	1-lb 5-oz (580g)

Accessories

Junction Box



EV-STWQ