

SECO-LARM®

Low-Profile Door Strike with Horizontal Adjustment

SD-996C-NUHQ



The SECO-LARM SD-996C-NUHQ Low-Profile Door Strike with Horizontal Adjustment can be used with virtually any cylindrical-locking system and can be configured for use in wood or metal frames. Included are two different ANSI-sized faceplates to match the door frame type. The strike is easily field-configurable for fail-safe or fail-secure applications. For indoor use only.

- Field selectable for fail-safe or fail-secure
- 12/24 VAC/VDC Operating voltage
- Static strength – 1,500-lb (6,673N)
- Dynamic strength – 70ft-lb (98J)
- Includes wiring harness and connectors for either 12VAC/VDC or 24VAC/VDC
- Trim plate included
- Mounting tabs included for mounting to hollow aluminum door
- Includes 2 faceplates for nearly any type of frame:
 - Metal door frames – SD-996SS-11Q
 - Wood door frames – SD-996SS-31Q
- Reversible non-handed design fits either right-hand or left-hand doors
- Low profile: Strike is only 1" (26mm) deep for use with aluminum frames
- Optional lip-extension brackets available:
 - SD-995C-LE25 1" Lip Extension
 - SD-995C-LE50 2" Lip Extension

SECO-LARM®

Table of Contents

Parts List	2	Selecting Fail-Secure or Fail-Safe	5
Specifications	2	Sample Installations	6
Basic Installation	3	Metal Door Frame	6
Measuring Latch Line and Center Line	3	Wood Door Frame.....	7
Mounting the Template	4	Wiring Diagram	8
Preparing the Door Frame	4	For 12VAC/VDC operation	8
Mounting the Trim Plate	4	For 24VAC/VDC operation	8
Mounting the Strike Using Mounting Tabs ..	5	Troubleshooting	8
Horizontal Adjustment	5		

Parts List

1x Door strike	2x Faceplates	1x Mounting template	2x Electrical connectors
1x Trim plate	2x Trim plate screws	2x Wiring connectors	2x Mounting tabs
2x Wood screws	6x Philips screws	1x Manual	1x Security star bit
1x Hex wrench	2x Phillip shoulder screws	4x Security star bit screws	

Not all parts will be used in every installation.

Specifications

Operating voltage	12/24 VAC/VDC*	
Current draw	12VDC	300mA
	12VAC*	300mA
	24VDC	150mA
	24VAC*	150mA
Latch throw	⁹ / ₁₆ " (15mm), ¹ / ₂ " (12mm) strike depth + ¹ / ₈ " (3mm) door gap	
Static strength	1,500-lb (6,673N)	
Dynamic strength	70ft-lb (95J)	
Endurance	1,000,000 cycles (factory tested)	
Operating humidity	0~85%, Non-condensing	
Operating temperature	32°~120° F (0°~49° C)	
Dimensions	3 ³ / ₈ "x1 ³ / ₄ "x1" (86x45x26 mm)	
Weight	11.2-oz (318g)	

*DC power must be used for any continuous duty application and can also be used for intermittent duty. AC power is suitable only for intermittent duty (maximum of 2 minutes on and 30 seconds off).

Basic Installation

1. Select the type of faceplate that will be used (see *Sample Installations*, pgs. 6~7). If the door is pre-cut for a strike, skip to step 6.
2. Measure and mark the door latch line and the center line of the door (see *Measuring Latch Line and Center Line*, pg. 3).
3. Apply the included stick-on template to the door frame (see *Mounting the Template*, pg. 4).
4. Prepare the door frame for installation and mount the trim plate if needed (see *Preparing the Door Frame*, pg. 4 and *Mounting the Trim Plate*, pg. 4).
5. If the door frame material is unsuitable for mounting the strike directly, use the included mounting tabs and small black anchor nuts for installation. This is recommended for aluminum door frames (see *Mounting the Strike Using Mounting Tabs*, pg. 5).
6. Adjust the lip bracket if necessary (see *Horizontal Adjustment*, pg. 5).
7. Program for either fail-safe or fail-secure operation (see *Selecting Fail-Secure or Fail-Safe*, pg. 5).
8. Connect to power (see *Wiring Diagram*, pg. 8).

Measuring Latch Line and Center Line

1. Measure the center line of the door latch from the top of the door frame. This is shown as "Y" on the diagram in Fig. 1, right.
2. Measure the distance from the door latch to the edge of the door frame. This is the door latch line. This is shown as "X" on the diagrams in Figs. 2 and 3 below.

Fig. 1

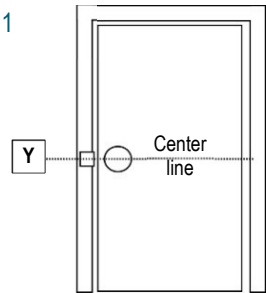


Fig. 2

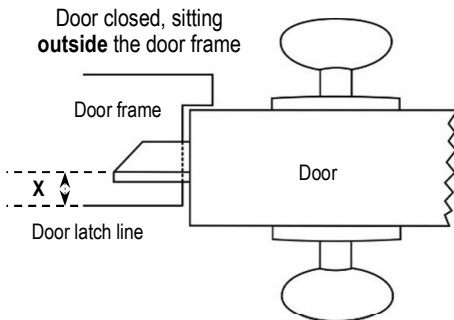
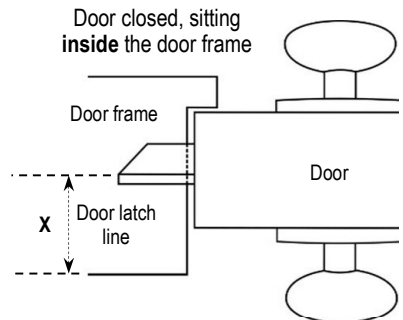


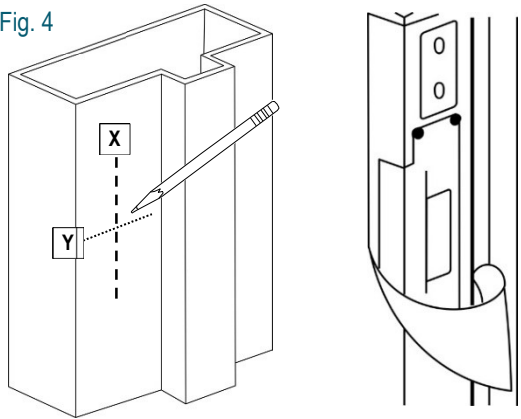
Fig. 3



Mounting the Template

1. Measure distance "X" from the side of the door frame, and distance "Y" from the top of the door frame. Use a pencil to mark the exact spot where the two lines intersect.
2. Carefully peel off the short, thin tab in the center of the stick-on template. When placed against the frame, this opening in the template will easily line up with the X-Y mark.
3. Peel the template from the backing, and carefully apply it to the door frame.

Fig. 4



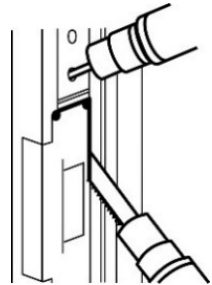
NOTE: The electric strike must be installed in such a way and in such a location as not to impair the operation of any emergency exit and panic-mounted hardware on the door.

Preparing the Door Frame

Using the stick-on template as a guide, refer to Fig. 5.

1. Drill holes for mounting the strike and cut a hole for the size of the faceplate being used. It is recommended to cut the hole slightly smaller than necessary.
2. Use a file to finish the shaping of the frame. This will improve the fit and finish of the installation.

Fig. 5



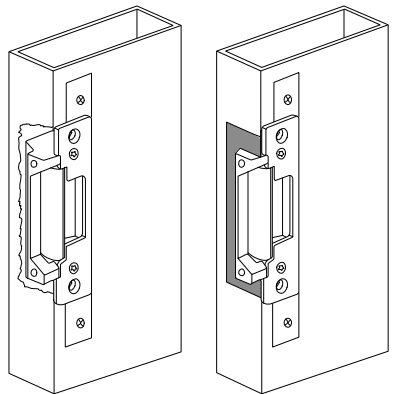
Mounting the Trim Plate

If the hole cut for the faceplate is too large or is jagged, the trim plate can be mounted over the hole to improve the installation's appearance (see Fig. 6).

To mount, screw the trim plate into the mounting holes at the top and bottom of the strike using the included trim plate screws.

NOTE: The trim plate is optional and may not be required. Only use to cover any gaps in the frame.

Fig. 6

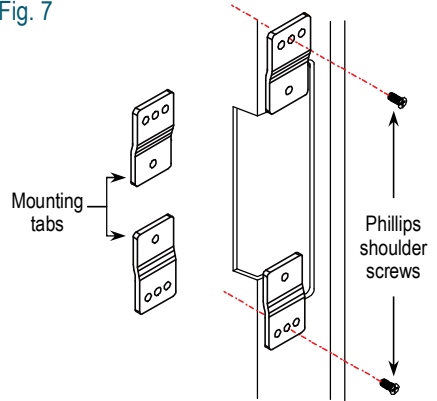


Mounting the Strike Using Mounting Tabs

To mount the strike where the hollow door frame material is unsuitable for mounting, refer to Fig. 7 as you follow the instructions below.

1. Using the template, punch or drill holes for installation of the mounting tabs.
2. When installing, be careful not to over-tighten the screws since small adjustments may later be required to secure a snug fit for the door strike.

Fig. 7



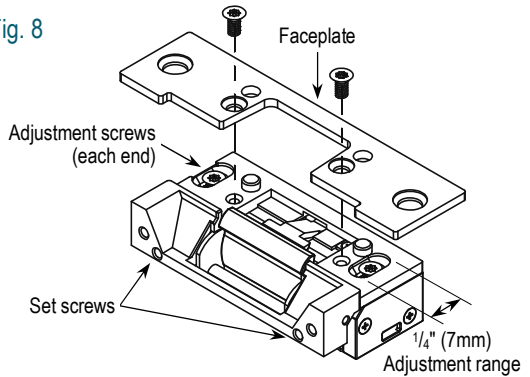
NOTE: The mounting tabs are commonly needed when retrofitting door frames.

Horizontal Adjustment

The strike lip bracket can be adjusted horizontally up to $\frac{1}{4}$ " (7mm) if needed.

1. Before installing the faceplate, loosen the adjustment screws (see Fig. 8) and move the lip bracket to the correct position.
2. Tighten the two adjustment screws.
3. Secure the lip bracket in position with the two set screws.
4. Install the faceplate.

Fig. 8

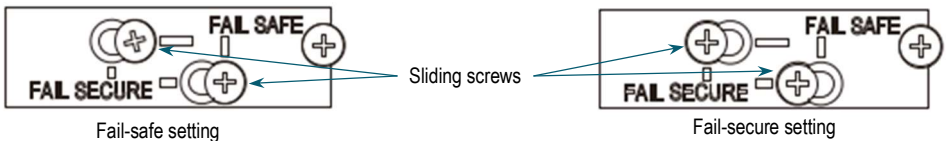


Selecting Fail-Secure or Fail-Safe

Loosen the sliding screws (see Fig. 9). Slide to the desired setting, to the left for fail-secure and to the right for fail-safe, and retighten both screws.

Fig. 9

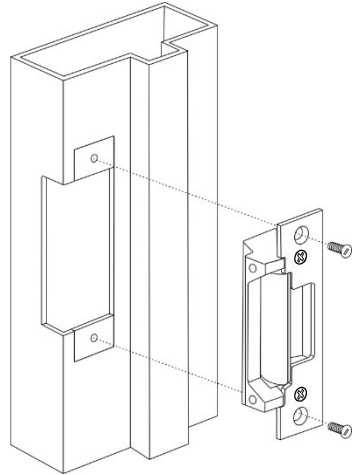
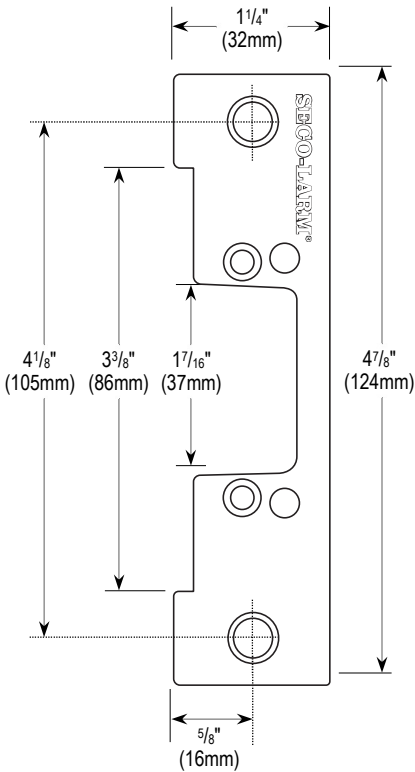
Factory default: Fail-Secure



Sample Installations

Metal Door Frame

For installation to a hollow metal door frame, the short steel faceplate (SD-996SS-11Q) is recommended.

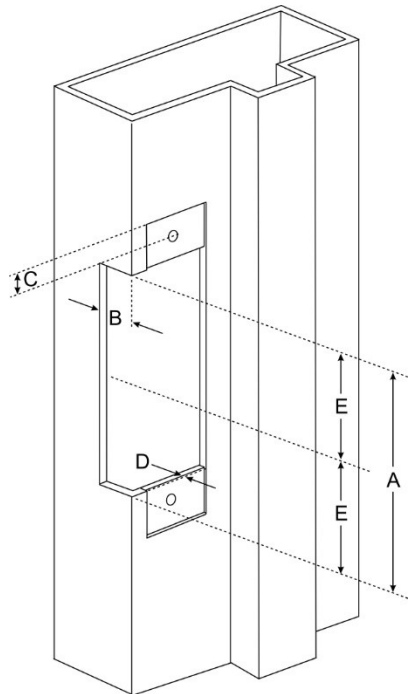


NOTE: If it is necessary to cut a hole in the frame, mounting tabs may be required to strengthen the installation. See *Mounting the Strike Using Mounting Tabs* on pg. 5 for more information.

Measurement Key

A	3 3/8"	86mm
B	1 1/16"	17mm
C	3/8"	9mm
D*	1/8"	3mm
E	1 9/16"	39mm

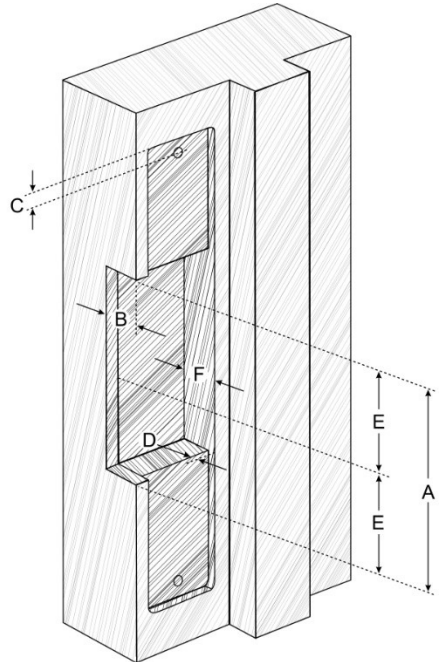
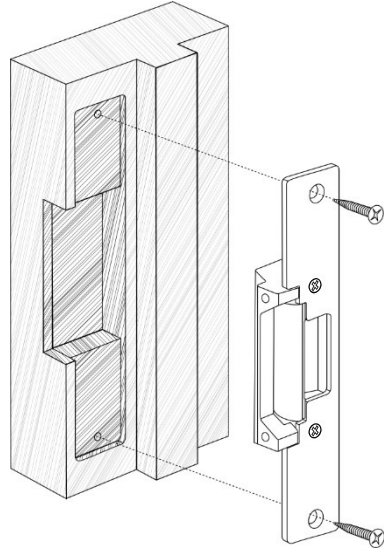
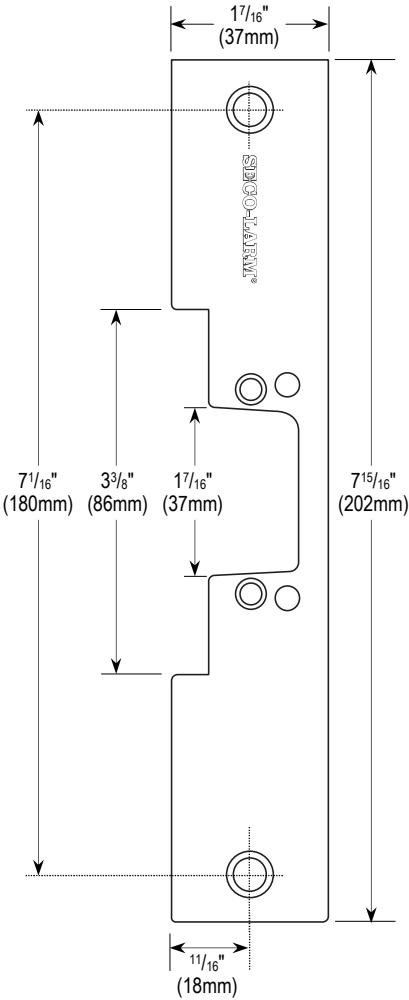
*Measurement "D" refers to the thickness of the faceplate.



Sample Installations (Continued)

Wood Door Frame

For installation to a wooden door frame, the long, steel faceplate (SD-996SS-31Q) is recommended.



Measurement Key

A	$3\frac{3}{8}$ "	86mm
B	$1\frac{11}{16}$ "	17mm
C	$7\frac{1}{16}$ "	11mm
D*	$\frac{1}{8}$ "	3mm
E	$1\frac{9}{16}$ "	39mm
F	$1\frac{5}{16}$ "	33mm

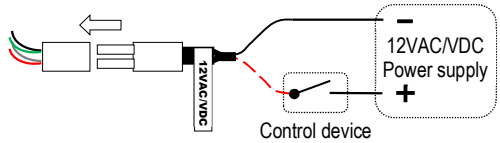
*Measurement "D" refers to the thickness of the faceplate.

SECO-LARM Low-Profile Door Strike with Horizontal Adjustment

Wiring Diagram

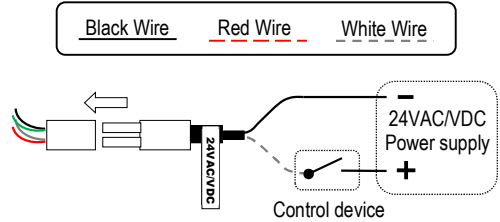
For 12VAC/VDC operation

1. Use the included wiring connector marked 12VAC/VDC.
2. Plug the male wiring connector into the female wiring harness connector of the door strike.



For 24VAC/VDC operation

1. Use the included wiring connector marked 24VAC/VDC.
2. Plug the male wiring connector into the female wiring harness connector of the door strike.



NOTE: DC power **must** be used for any continuous duty application and can also be used for intermittent duty. AC powered strikes are **not** suitable for continuous duty use and should only be used for intermittent duty (2 minutes triggered with 30 seconds rest in between).

Troubleshooting

Electric strike does not activate

- Remove the strike and check that the wiring connector is connected properly.
- Ensure the wiring connector is connected to a 12 or 24 VAC/VDC power source.
- Use a multimeter to test that the strike is receiving the proper voltage and amperage. If it is not, it may be necessary to use heavier gauge wires, or increase the output of the power supply.
- Make sure the activation device (keypad or push-button switch) is working properly.

Door does not open when the strike is activated

- Check that the door latch is operating properly and replace if necessary.
- The position of the electric strike may need to be adjusted by moving it or adding washers or shims.

Strike makes a buzzing sound

- Use DC power supply instead of AC power

IMPORTANT: Users and installers of this product are responsible for ensuring that the installation and configuration of this product complies with all national, state, and local laws and codes. SECO-LARM will not be held responsible for the use of this product in violation of any current laws or codes.

California Proposition 65 Warning: These products may contain chemicals which are known to the State of California to cause cancer and birth defects or other reproductive harm. For more information, go to www.P65Warnings.ca.gov.

WARRANTY: This SECO-LARM product is warranted against defects in material and workmanship while used in normal service for one (1) year from the date of sale to the original customer. SECO-LARM's obligation is limited to the repair or replacement of any defective part if the unit is returned, transportation prepaid, to SECO-LARM. This Warranty is void if damage is caused by or attributed to acts of God, physical or electrical misuse or abuse, neglect, repair or alteration, improper or abnormal usage, or faulty installation, or if for any other reason SECO-LARM determines that such equipment is not operating properly as a result of causes other than defects in material and workmanship. The sole obligation of SECO-LARM and the purchaser's exclusive remedy, shall be limited to the replacement or repair only, at SECO-LARM's option. In no event shall SECO-LARM be liable for any special, collateral, incidental, or consequential personal or property damage of any kind to the purchaser or anyone else.

NOTICE: The SECO-LARM policy is one of continual development and improvement. For that reason, SECO LARM reserves the right to change specifications without notice. SECO-LARM is also not responsible for misprints. All trademarks are the property of SECO-LARM U.S.A., Inc. or their respective owners. Copyright © 2023 SECO-LARM U.S.A., Inc. All rights reserved.

SECO-LARM® U.S.A., Inc.

16842 Millikan Avenue, Irvine, CA 92606
Phone: (949) 261-2999 | (800) 662-0800

Website: www.seco-larm.com
Email: sales@seco-larm.com

 PITGW1

ML_SD-996C-NUHQ_231002.docx