

# Everything CCTV

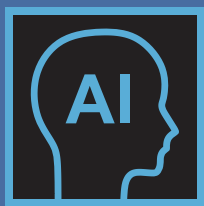
## We've got you covered!

IP Cameras

**NVR** | NVR & Camera **Kits**

**HD** Cameras

Brackets | Accesories



SECO-LARM Offers a Complete Line of ENFORCER CCTV Products

## NVR and Camera Kits

**DRN-K104-04** 4K 4-Channel NVR + 4 IP 5MP Cameras + 2TB HDD

**DRN-K108-06** 4K 8-Channel NVR + 6 IP 5MP Cameras + 2TB HDD

**DRN-K116-12** 4K 16-Channel NVR + 12 IP 5MP Cameras + 4TB HDD



ENFORCER Surveillance Kits offer all the elements of an easy plug-and-play installation. The included IP cameras provide excellent picture quality with True Wide Dynamic Range (WDR) and Digital Noise Reduction (3DNR). The NVR features built-in AI functions for multiple security purposes. The kits are suitable for various applications due to their cost-effectiveness and simple-to-install design.



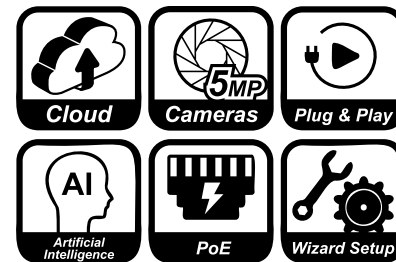
DRN-K104-04

### NVR Features

- EV-N2506-2W4WQ 5MP 2.8mm Turret Cameras included
- Compatible with 8MP (4K) IP Cameras
- Wizard assistance for easy first-time setup
- Plug-and-Play
- Built-in PoE ports (IEEE 802.3af/at)
- VGA and HDMI outputs with up to 4K resolution
- Includes one 2TB HDD
- Other HDD sizes available by special order, including 1/2/4/6/8/10 TB
- ONVIF® profile S conformant
- Easy app setup with QR code
- Live view recording and playback up to 4K@30FPS
- Tri-stream encoding
- P2P for simple remote connections using PC or mobile device
- 11 AI functions including human and vehicle detection
- Cloud storage with Dropbox and Google Drive™\*
- Includes SL Vision™ app (pg. 45)
- Includes SL VMS™ for Windows (pgs. 46-51 for details)

### DRN-116-4TB Additional Features

- Includes 4TB HDD
- Supports up to 2 HDD
- 8 Sensor inputs, 1 alarm relay output
- Live view recording and playback up to 4K@45FPS



### Camera Features

- 1/2.7" 5MP SmartSens CMOS sensor
- 30FPS@5MP (2880x1620)
- 2.8mm lens
- H.265, H.264, and MJPEG
- True Wide Dynamic Range (WDR)
- Digital Noise Reduction (3DNR)
- True Day & Night function with ICR module
- IP66 Weatherproof
- IR Range 98' (30mm)
- ONVIF® profile G, S, and T conformant
- Smart IRs adjust IR strength to conditions

### AI Functions

- Face detection
  - Human & vehicle detection
  - Perimeter intrusion detection
  - Line crossing detection
  - Stationary object detection
  - Cross counting
  - Heat map
  - Crowd density detection
  - Queue length detection
  - License plate detection
  - License plate recognition
- With EV-N2806-2W4WQ 8MP Turret Camera (optional)**
- Facial recognition

\*The storage capacity of cloud-based services depends on the storage allocated to each individual account. ONVIF is a trademark of ONVIF, Inc. | Google Drive is a trademark of Google LLC. | Dropbox is registered trademark of Dropbox Inc. The Adopted Trademarks HDMI, HDMI High-Definition Multimedia Interface, HDMI trade dress and the HDMI Logos are trademarks or registered trademarks of HDMI Licensing Administrator, Inc. in the United States and other countries.



## Camera Specifications

Image sensor	1/2.7" 5MP SmartSens CMOS sensor
Effective pixels	2880(H)x1620(V)
Scanning system	Progressive scan
Electronic shutter speed	Auto, manual: 1/5 s to 1/20,000 s
Minimum illumination	Color: 0.1Lux at F1.2 (AGC on) 0Lux with IR on
IR Distance	Distance up to 98' (30m)
IR On/Off control	Auto, manual
IR LEDs	2pcs (850nm) LEDs
Focal length	2.8mm
Maximum aperture	F1.6
Field of view	Horizontal: 110°, Vertical: 58°, Diagonal:133°
Bit rate control	CBR/VBR
Bit rate	Main stream: 256 to 8192 Kbps, Sub stream: 128 to 4096 Kbps, Mobile stream: 8 to 1536 Kbps
Backlight	Disable (default) BLC, HLC, True WDR
White balance	Auto
Gain control	Auto
Noise reduction	3DNR
Smart IR	Support
Image rotation	0°, 180°
Mirror	Disable, vertical, horizontal, all
Privacy masking	Off, on (4 areas, rectangle)

## Other Kit Photos



DRN-K108-06



DRN-K116-12

## NVR Specifications

Model	DRN-K104-04	DRN-K108-06	DRN-K116-12
IP Camera included	4x EV-N2506-2W4WQ	6x EV-N2506-2W4WQ	12x EV-N2506-2W4WQ
<b>Video</b>			
Camera support	Up to 8MP (4K)		
Incoming bandwidth	50Mbps	76Mbps	112Mbps
Outgoing bandwidth	48Mbps	32Mbps	96Mbps
HDMI Output	1024x768, 1280x720, 1280x1024, 1440x900, 1920x1080, 2560x1440, 3840x2160 (4K)		
VGA Output	1024x768, 1280x720, 1280x1024, 1440x900, 1920x1080		
Decoding capability	1-CH 4K@30FPS, 2-CH 4MP@30FPS, 4-CH 2MP@30FPS		1-CH 4K@45FPS, 3-CH 4MP@30FPS, 6-CH 2MP@30FPS
Compression	H.265+, H.265, H.264+, H.264		
AI	Support		
Playback functions	Fast forward / backward (2x, 4x, 8x, 16x), Slow forward (1/2x, 1/4x, 1/8x, 1/16x)		
<b>User Interface</b>			
Local	UI5.0		
Web	IE10/11, Safari V12.1 above, Firefox V.52 above, Google Chrome V.57 above, Edge V.79 above		
<b>Auxiliary Interface</b>			
HDMI Output	1 Output		
VGA Output	1 Output		
POE Input	4x RJ45	8x RJ45	16x RJ45
USB	USB 2.0 x 1 front & 1 rear		
Alarm I/O	None	None	8 In / 1 Out
Included HDD	2TB SATA		4TB SATA
Internal storage capacity	1 SATA HDD, up to 10TB	1 SATA HDD, up to 10TB	2 SATA, each HDD up to 10TB
<b>General</b>			
Power supply	48VDC@1.2A	48VDC@1.5A	48VDC@3.75A
Power consumption	5W	6W	8W
Dimensions (WxDxH)	11 <sup>1</sup> / <sub>16</sub> " x 8 <sup>15</sup> / <sub>16</sub> " x 2 <sup>1</sup> / <sub>16</sub> " (300x227x53 mm)		14 <sup>7</sup> / <sub>8</sub> " x 13 <sup>3</sup> / <sub>8</sub> " x 2" (378x340x50 mm)
Operating temperature	32°~104°F (0°~40°C)		
Humidity	Less than 90%RH		

## 4K Network Video Recorders

- DRN-104-2TB** 4-Channel, 2TB HDD
- DRN-108-2TB** 8-Channel, 2TB HDD
- DRN-116-4TB** 16-Channel, 4TB HDD
- DRN-132** 32-Channel



The ENFORCER Network Video Recorder offers 4K and H.265 High Efficiency Video Coding, reducing bandwidth and storage requirements without giving up video quality. These NVRs are perfect for a wide range of applications due to their cost-effectiveness and simple-to-install design.

### Features

- Compatible with up to 8MP (4K) IP Cameras
- QR code and Wizard assistance for easy first-time setup
- Plug-and-Play
- Built-in PoE Ports (IEEE 802.3af/at)
- VGA and HDMI outputs with up to 4K resolution
- Other HDD sizes available by special order, including 1/2/4/6/8/10 TB
- ONVIF® profiles S conformant
- Tri-stream encoding
- Live view recording and playback up to 4K@30FPS
- P2P for simple remote connections using PC or mobile device
- Cloud storage with Dropbox and Google Drive™\*
- Includes the SL Vision™ app (see pg. 45)
- Includes SL VMS™ for Windows (see pgs. 46~51)

### DRN-116-4TB Additional Features

- Supports up to two HDDs
- Live view recording and playback up to 4K@45FPS
- 8 Sensor inputs, 1 alarm relay output

### AI Functions

- |                                 |                                |
|---------------------------------|--------------------------------|
| • Face detection                | • License plate detection      |
| • Human & vehicle detection     | • License plate recognition    |
| • Perimeter intrusion detection | • Crowd density detection      |
| • Line crossing detection       | • Queue length detection       |
| • Stationary object detection   |                                |
| • Cross counting                | With EV-N2806-2W4WQ 8MP Turret |
| • Heat map                      | • Facial recognition           |



DRN-108-2TB



DRN-116-4TB



DRN-132



### DRN-132 Additional Features

- Compatible with up to 12MP IP Cameras
- Supports up to four HDDs
- Supports eSATA
- 16 Sensor inputs, 1 alarm relay output
- ONVIF Profile G, S, T conformant

\*The storage capacity of cloud-based services depends on the storage allocated to each individual account. ONVIF is a trademark of ONVIF, Inc. | Google Drive is a trademark of Google LLC. | Dropbox is registered trademark of Dropbox Inc. The Adopted Trademarks HDMI, HDMI High-Definition Multimedia Interface, HDMI trade dress and the HDMI Logos are trademarks or registered trademarks of HDMI Licensing Administrator, Inc. in the United States and other countries.



## Specifications

Model	DRN-104-2TB	DRN-108-2TB	DRN-116-4TB	DRN-132
<b>Video</b>				
Resolution	8MP (4K), 5MP, 2MP (1080p), 1.3MP (960p), 1.0MP (720p)			12MP, 8MP, 5MP, 4MP, 3MP, 1080p, 720p
Incoming bandwidth	50Mbps	76Mbps	112Mbps	320M
Outgoing bandwidth	48Mbps	32Mbps	96Mbps	320M
HDMI Output	1024x768, 1280x720, 1280x1024, 1440x900, 1920x1080, 2560x1440, 3840x2160 (4K)		<b>HDMI 1</b> 1024x768, 1280x720, 1280x1024, 1440x900, 1920x1080, 2560x1440 (2K), 3840x2160 (4K)  <b>HDMI 2</b> 1024x768, 1280x720, 1280x1024, 1440x900, 1920x1080 /EDID Async out	
VGA Output	1024x768, 1280x720, 1280x1024, 1440x900, 1920x1080		1024x768, 1280x720, 1280x1024, 1440x900, 1920x1080	
Decoding capability	1-CH 4K@30FPS 2-CH 4MP@30FPS 4-CH 2MP@30FPS		1-CH 4K@45FPS 3-CH 4MP@30FPS 6-CH 2MP@30FPS	
Compression	H.265+/H.265/H.264+/H.264			
AI	Support			
Playback function	Fast forward / backward (2x, 4x, 8x, 16x) Slow forward (1/2x, 1/4x, 1/8x, 1/16x)			
<b>User Interface</b>				
Local	UI5.0			
Web	IE10/11, Safari V12.1 above, Firefox V.52 above, Google Chrome V.57 above, Edge V.79 above			
<b>Auxiliary Interface</b>				
HDMI Output	1 Output		2 Outputs	
VGA Output	1 Output			
POE Input	4x RJ45	8x RJ45	16x RJ45	
USB	USB 2.0 x 1 front & 1 rear		USB2.0 x 1 (front) USB3.0 x & USB2.0 x 1 (rear)	
Alarm I/O	None	None	8 In / 1 Out	16 In / 1 Out
Included HDD	2TB SATA		4TB SATA	Not included
Internal storage capacity	1 SATA HDD, up to 10TB	1 SATA HDD, up to 10TB	2 SATA, up to 10TB each	4 SATA HDD, up to 12TB, 1 eSATA
<b>General</b>				
Power supply	48VDC@1.2A	48VDC@1.5A	48VDC@3.75A	53V@4.53A
Power consumption	5W	6W	8W	12W
Dimensions	11 <sup>13</sup> / <sub>16</sub> "x8 <sup>15</sup> / <sub>16</sub> "x2 <sup>1</sup> / <sub>16</sub> " (300x227x53 mm)	14 <sup>7</sup> / <sub>8</sub> "x13 <sup>3</sup> / <sub>8</sub> "x2" (378x340x50 mm)		14 <sup>7</sup> / <sub>8</sub> "x12 <sup>3</sup> / <sub>16</sub> "x1 <sup>1</sup> / <sub>4</sub> " (378x326x66 mm)
Operating temperature	32°~104°F (0°~40°C)			32°~122°F (0°~50°C)
Humidity	Less than 90%RH			

## IP 5MP Motorized 2.8~12 mm Turret Camera

**EV-N2506-NW4WQ** 2.8~12 mm Lens

Motorized

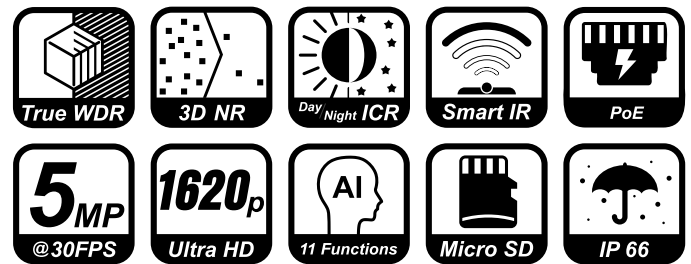
IP

The ENFORCER Motorized Turret Camera offers high-resolution video and advanced technology in a compact and accessible package. The camera features H.265 video compression, reducing bandwidth and storage requirements without giving up video quality. With True Wide Dynamic Range (WDR), Digital Noise Reduction (3DNR) and Day/Night (ICR) capabilities, the camera provides excellent picture quality.



### Features

- 1/2.7" 5MP SmartSens CMOS Sensor
- 30FPS@5MP, 1620p (2880x1620)
- 2.8~12 mm Lens
- Triple Stream Encoding: H.265, H.264 and MJPEG
- True Wide Dynamic Range (WDR)
- Digital Noise Reduction (3DNR)
- True Day & Night Function with ICR Module
- ICR Sensitivity adjustment
- Corridor mode
- Operating temperature: -40°~131° F (-40°~55° C)
- IP66 Weatherproof
- IR Range 147' (45m)
- Smart IRs adjust IR strength to conditions
- MicroSD slot (512GB max)
- PoE (IEEE 802.3af), 12VDC
- ONVIF® profiles G, S, and T conformant



### AI Functions

- Face detection
- Human & vehicle detection
- Perimeter intrusion detection
- Line crossing detection
- Stationary object detection
- Cross counting
- Heat map
- Crowd density detection
- Queue length detection
- License plate detection
- License plate recognition

## Camera

Image sensor	1/2.7" 5MP SmartSens CMOS
Effective pixels	2880(H)x1620(V)
Scanning system	Progressive scan
Electronic shutter speed	Auto, Manual; 1/5 s to 1/20,000 s
Minimum illumination	Color: 0.002Lux at F1.2 (AGC on) 3Lux with IR on
IR Distance	Distance up to 147' (45m)
IR On/Off control	Auto, manual
IR LEDs	4x850nm LEDs

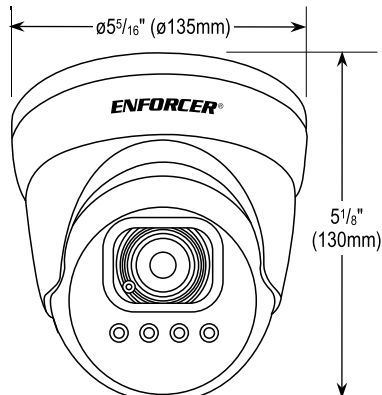
## Lens

Lens type	Motorized
Focal length	2.8~12 mm
Maximum aperture	F1.8~3.3
Field of view	Horizontal: 107°~33.6° Vertical: 54.7°~18.90° Diagonal: 133.7°~37.6°

## Video

Compression	H.265, H.264
Streaming capability	Triple (3) streams
Resolution	2880x1620, 2560x1440, 2304x1296, 1080p (1920x1080), 720p (1280x720)
Bit rate control	CBR/VBR
Bit rate	Main stream: 256 to 8192 Kbps Sub stream: 128 to 4096 Kbps Mobile stream: 8 to 1536 Kbps
Backlight	Disable (default), BLC, HLC, True WDR
White balance	Auto
Gain control	Auto
Noise reduction	3D DNR
Smart IR	Support
Image rotation	0°, 180°
Mirror	Disable, vertical, horizontal, all
Privacy masking	Off, on (4 areas, rectangle)
Region of interest	Support

## Dimensions



## Network

Ethernet	RJ45
Protocol	TCP/IP, HTTP, DHCP, DNS, DDNS, RTP, RTSP, SMTP, NTP, UPnP, SNMP, HTTPS, FTP
Interoperability	ONVIF® profiles G, S, and T conformant
Auto register	Support
Streaming method	Multicast
Max. user access	7
Web viewer	IE, Chrome, Firefox, Edge
On-board storage	Built in memory slot Supports up to 512GB MicroSD/SDHC/SDXC

## Certifications

Certifications	CE, FCC, RoHS
ONVIF®	Profiles G, S, and T conformant
NDAA	Compliant

## Electrical

Power supply	12VDC, or PoE (IEEE 802.3af Class 0)
Power consumption	< 6W

## Environmental

Operating conditions	-40°~131° F (-40°~55° C) Less Than 95% RH
Storage conditions	-40°~140° F (-40°~60° C)
IP Rating	IP66 Weatherproof

## Construction

Casting	Metal
Dimensions	5 5/16" x 5 1/8" (135x130 mm)
Weight	1-lb 9.6-oz (725g)

## Accessories

### Junction Box



EV-STWQ

## IP 5MP 2.8mm Turret Camera

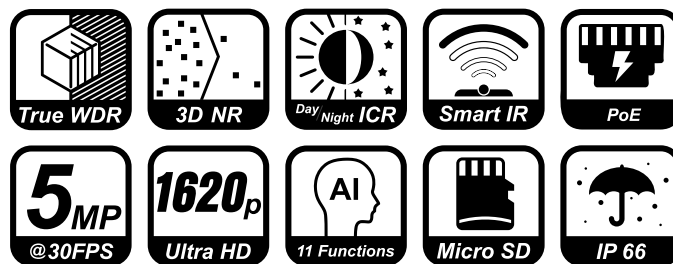
**EV-N2506-2W4WQ** 2.8mm Lens



The ENFORCER Fixed Turret Camera offers high-resolution video and advanced technology in a compact and accessible package. The camera features H.265 video compression, reducing bandwidth and storage requirements without giving up video quality. With True Wide Dynamic Range (WDR), Digital Noise Reduction (3DNR) and Day/Night (ICR) capabilities, the camera provides excellent picture quality.

### Features

- 1/2.7" 5MP SmartSens CMOS Sensor
- 30FPS@5MP, 1620p (2880x1620)
- 2.8mm Lens
- Triple Stream Encoding: H.265, H.264 and MJPEG
- True Wide Dynamic Range (WDR)
- Digital Noise Reduction (3DNR)
- True Day & Night Function with ICR Module
- ICR Sensitivity adjustment
- Corridor mode
- Operating temperature: -40°~131° F (-40°~55° C)
- IP66 Weatherproof
- IR Range 98' (30m)
- Smart IRs adjust IR strength to conditions
- MicroSD slot (512GB max)
- PoE (IEEE 802.3af), 12VDC
- ONVIF® profiles G, S, and T conformant



### AI Functions

- Face detection
- Human & vehicle detection
- Perimeter intrusion detection
- Line crossing detection
- Stationary object detection
- Cross counting
- Heat map
- Crowd density detection
- Queue length detection
- License plate detection
- License plate recognition

## Camera

Image sensor	1/2.7" 5MP SmartSens CMOS
Effective pixels	2880(H)x1620(V)
Scanning system	Progressive scan
Electronic shutter speed	Auto, Manual; 1/5 s to 1/20,000 s
Minimum illumination	Color: 0.1Lux at F1.2 (AGC on) 0Lux with IR on
IR Distance	Distance up to 98' (30m)
IR On/Off control	Auto, manual
IR LEDs	2x850nm LEDs

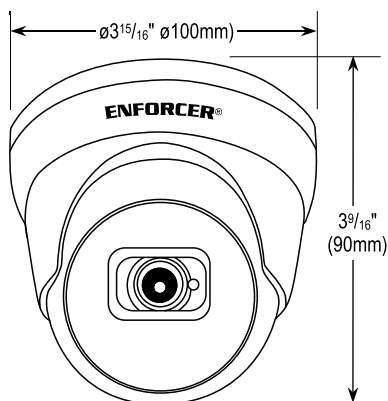
## Lens

Lens type	Fixed
Focal length	2.8mm
Maximum aperture	F1.6
Field of view	Horizontal: 110° Vertical: 58° Diagonal: 133°

## Video

Compression	H.265, H.264
Streaming capability	Triple (3) streams
Resolution	2880x1620, 2560x1440, 2304x1296, 1080p (1920x1080), 720p (1280x720)
Bit rate control	CBR/VBR
Bit rate	Main stream: 256 to 8192 Kbps Sub stream: 128 to 4096 Kbps Mobile stream: 8 to 1536 Kbps
Backlight	Disable (default), BLC, HLC, True WDR
White balance	Auto
Gain control	Auto
Noise reduction	3D DNR
Smart IR	Support
Image rotation	0°, 180°
Mirror	Disable, vertical, horizontal, all
Privacy masking	Off, on (4 areas, rectangle)
Region of interest	Support

## Dimensions



## Network

Ethernet	RJ45
Protocol	TCP/IP, HTTP, DHCP, DNS, DDNS, RTP, RTSP, SMTP, NTP, UPnP, SNMP, HTTPS, FTP
Interoperability	ONVIF® profiles G, S, and T conformant
Auto register	Support
Streaming method	Multicast
Max. user access	7
Web viewer	IE, Chrome, Firefox, Edge
On-board storage	Built in memory slot Supports up to 512GB MicroSD/SDHC/SDXC

## Certifications

Certifications	CE, FCC, RoHS
ONVIF®	Profiles G, S, and T conformant
NDAA	Compliant

## Electrical

Power supply	12VDC, or PoE (IEEE 802.3af Class 0)
Power consumption	< 6W

## Environmental

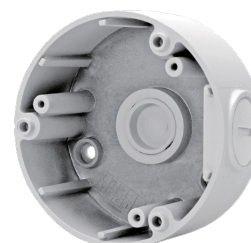
Operating conditions	-40°~131° F (-40°~55° C) Less Than 95% RH
Storage conditions	-40°~140° F (-40°~60° C)
IP Rating	IP66 Weatherproof

## Construction

Casting	Metal
Dimensions	ø3 15/16" x 3 9/16" (ø100x90 mm)
Weight	13.05-oz (370g)

## Accessories

### Junction Box



EV-SSWQ

## IP 5MP Full Color 2.8mm Turret Camera

**EV-N2506-2W4WLQ** Full Color, 2.8mm Lens



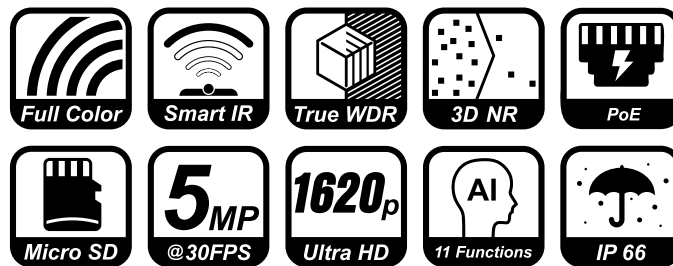
The ENFORCER Full Color Turret Camera offers high-resolution video and advanced technology in a compact and accessible package. The built-in Warm Light can provide colorful display 24/7, or act as a deterrent warning light depending on the user's preference. With True Wide Dynamic Range (WDR), and Digital Noise Reduction (3DNR), the camera provides excellent picture quality.

### Features

- Colorful Display 24/7
- 1/2.7" 5MP SmartSens CMOS Sensor
- 30FPS@5MP, 1620p (2880x1620)
- 2.8mm Lens
- Triple Stream Encoding: H.265, H.264 and MJPEG
- True Wide Dynamic Range (WDR)
- Digital Noise Reduction (3DNR)
- True Day & Night Function with ICR Module
- ICR Sensitivity adjustment
- Corridor mode
- Operating temperature: -40°~131° F (-40°~55° C)
- IP66 Weatherproof
- IR Range 98' (30m)
- White LED 120°
- Smart IRs adjust IR strength to conditions
- MicroSD slot (512GB max)
- PoE (IEEE 802.3af), 12VDC
- ONVIF® profiles G, S, and T conformant

### AI Functions

- Face detection
- Human & vehicle detection
- Perimeter intrusion detection
- Line crossing detection
- Stationary object detection
- Cross counting
- Heat map
- Crowd density detection
- Queue length detection
- License plate detection
- License plate recognition



## Camera

Image sensor	1/2.7" 5MP SmartSens CMOS	
Effective pixels	2880(H)x1620(V)	
Scanning system	Progressive scan	
Electronic shutter speed	Auto, Manual; 1/5 s to 1/20,000 s	
Minimum illumination	Color: 0.1Lux at F1.2 (AGC on) 0Lux with IR on	
IR Distance	Distance up to 98' (30m)	
IR On/Off control	Auto, manual	
IR LEDs	2x850nm LEDS	
Warm light	Quantity	2 white LEDs
	Distance	25m
	Bowl degree	120°

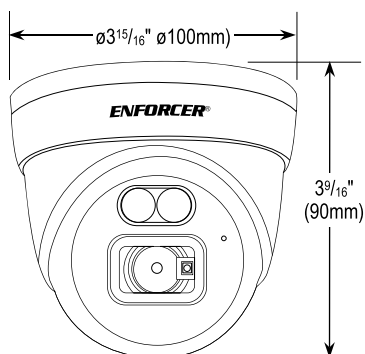
## Lens

Lens type	Fixed
Focal length	2.8mm
Maximum aperture	F1.6
Field of view	Horizontal: 110° Vertical: 58° Diagonal: 133°

## Video

Compression	H.265, H.264
Streaming capability	Triple (3) streams
Resolution	2880x1620, 2560x1440, 2304x1296, 1080p (1920x1080), 720p (1280x720)
Bit rate control	CBR/VBR
Bit rate	Main stream: 256 to 8192 Kbps Sub stream: 128 to 4096 Kbps Mobile stream: 8 to 1536 Kbps
Backlight	Disable (default), BLC, HLC, True WDR
White balance	Auto
Gain control	Auto
Noise reduction	3D DNR
Smart IR	Support
Image rotation	0°, 180°
Mirror	Disable, vertical, horizontal, all
Privacy masking	Off, on (4 areas, rectangle)
Region of interest	Support

## Dimensions



## Network

Ethernet	RJ45
Protocol	TCP/IP, HTTP, DHCP, DNS, DDNS, RTP, RTSP, SMTP, NTP, UPnP, SNMP, HTTPS, FTP
Interoperability	ONVIF® profiles G, S, and T conformant
Auto register	Support
Streaming method	Multicast
Max. user access	7
Web viewer	IE, Chrome, Firefox, Edge
On-board storage	Built in memory slot Supports up to 512GB MicroSD/SDHC/SDXC

## Certifications

Certifications	CE, FCC, RoHS
ONVIF®	Profiles G, S, and T conformant
NDAA	Compliant

## Electrical

Power supply	12VDC, or PoE (IEEE 802.3af Class 0)
Power consumption	< 6W

## Environmental

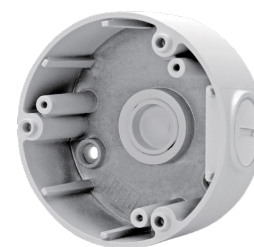
Operating conditions	-40°~131° F (-40°~55° C) Less Than 95% RH
Storage conditions	-40°~140° F (-40°~60° C)
IP Rating	IP66 Weatherproof

## Construction

Casting	Metal
Dimensions	$\varnothing 3\frac{15}{16}$ "x $3\frac{9}{16}$ " ( $\varnothing 100$ x $90$ mm)
Weight	13.05-oz (370g)

## Accessories

### Junction Box



EV-SSWQ

## IP 4K (8MP) 2.8mm Turret Camera

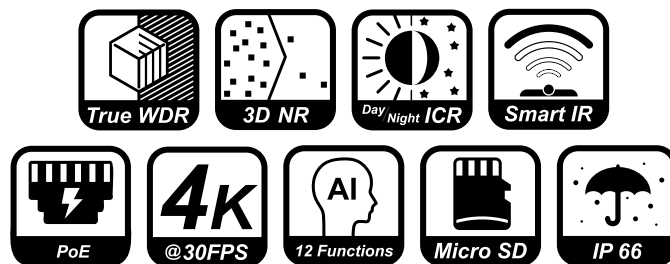
**EV-N2806-2W4WQ** 2.8mm Lens



The ENFORCER fixed turret camera offers 4K-resolution video and advanced technology in a compact and accessible package. The camera features H.265 video compression, reducing bandwidth and storage requirements without giving up video quality. With True Wide Dynamic Range (WDR), Digital Noise Reduction (3DNR) and Day/Night (ICR) capabilities the camera provides excellent picture quality.

### Features

- 1/2.8" 8MP Sony CMOS Sensor
- 30FPS@4K, 2160p (3840x2160)
- 2.8mm Lens
- Triple Stream Encoding
- H.265, H.264 and MJPEG
- True Wide Dynamic Range (WDR)
- Digital Noise Reduction (3DNR)
- True Day & Night Function ICR Module
- ICR Sensitivity adjustment
- Corridor mode
- Operating temperature: -40°~131° F (-40°~55° C)
- IP66 Weatherproof
- IR Range 98' (30m)
- Smart IRs adjust IR strength to conditions
- MicroSD slot (512GB max)
- PoE (IEEE 802.3af), 12VDC
- ONVIF® profiles G, S, and T conformant



### AI Functions

- Face detection
- Facial recognition
- Human & vehicle detection
- Perimeter intrusion detection
- Line crossing detection
- Stationary object detection
- Cross counting
- Heat map
- Crowd density detection
- Queue length detection
- License plate detection
- License plate recognition

## Camera

Image sensor	1/2.8" 8MP Sony CMOS
Effective pixels	3840(H)x2160(V)
Scanning system	Progressive scan
Electronic shutter speed	Auto, Manual; 1/5 s to 1/20,000 s
Minimum illumination	Color: 0.005Lux at F1.2 (AGC on) 1Lux with IR on
IR Distance	Distance up to 98' (30m)
IR On/Off control	Auto, manual
IR LEDs	2x850nm LEDS

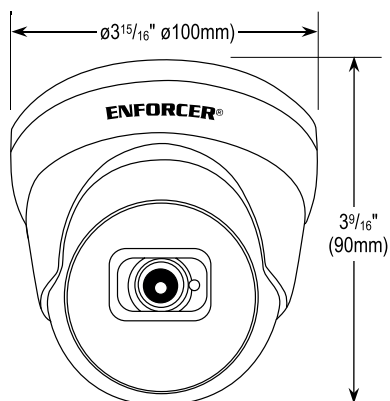
## Lens

Lens type	Fixed
Focal length	2.8mm
Maximum aperture	F1.6
Field of view	Horizontal: 105° Vertical: 56° Diagonal: 126°

## Video

Compression	H.265, H.264
Streaming capability	Triple (3) streams
Resolution	2880x1620, 2560x1440, 2304x1296, 1080p (1920x1080), 720p (1280x720)
Bit rate control	CBR/VBR
Bit rate	Main stream: 256 to 16384 Kbps Sub stream: 128 to 4096 Kbps Mobile stream: 8 to 1536 Kbps
Backlight	Disable (default) BLC, HLC, True WDR
White balance	Auto
Gain control	Auto
Noise reduction	3D DNR
Smart IR	Support
Image rotation	0°, 180°
Mirror	Disable, vertical, horizontal, all
Privacy masking	Off, on (4 areas, rectangle)
Region of interest	Support

## Dimensions



## Network

Ethernet	RJ45
Protocol	TCP/IP, HTTP, DHCP, DNS, DDNS, RTP, RTSP, SMTP, NTP, UPnP, SNMP, HTTPS, FTP
Interoperability	ONVIF® profiles G, S, and T conformant
Auto register	Support
Streaming method	Multicast
Max. user access	7
Web viewer	IE, Chrome, Firefox, Edge
On-board storage	Built in memory slot Supports up to 512GB MicroSD/SDHC/SDXC

## Certifications

Certifications	CE, FCC, RoHS
ONVIF®	Profiles G, S, and T conformant
NDAA	Compliant

## Electrical

Power supply	12VDC, or PoE (IEEE 802.3af Class 0)
Power consumption	< 6W

## Environmental

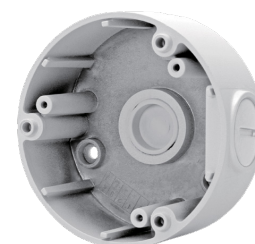
Operating conditions	-40°~131° F (-40°~55° C) Less Than 95% RH
Storage conditions	-40°~140° F (-40°~60° C)
IP Rating	IP66 Weatherproof

## Construction

Casting	Metal
Dimensions	$\varnothing 3^{15}/_{16}$ "x $3^{9}/_{16}$ " ( $\varnothing 100$ x90 mm)
Weight	13.05-oz (370g)

## Accessories

### Junction Box



EV-SSWQ

## IP 5MP Motorized 2.8~12 mm Bullet Camera

**EV-N1506-NW4WQ** 2.8~12 mm Lens

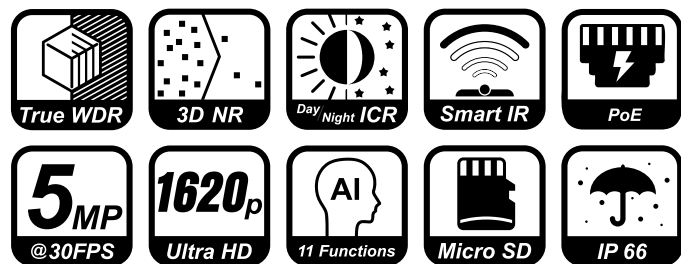
Motorized

IP

The ENFORCER Motorized Bullet Camera offers high-resolution video and advanced technology in a compact and accessible package. The camera features H.265 video compression, reducing bandwidth and storage requirements without giving up video quality. With True Wide Dynamic Range (WDR), Digital Noise Reduction (3DNR) and Day/Night (ICR) capabilities the camera provides excellent picture quality.

### Features

- 1/2.7" 5MP SmartSens CMOS Sensor
- 30FPS@5MP, 1620p (2880x1620)
- 2.8~12 mm Lens
- Triple Stream Encoding: H.265, H.264 and MJPEG
- True Wide Dynamic Range (WDR)
- Digital Noise Reduction (3DNR)
- True Day & Night Function with ICR Module
- ICR Sensitivity adjustment
- Corridor mode
- Operating temperature: -40°~131° F (-40°~55° C)
- IP66 Weatherproof
- IR Range 147' (45m)
- Smart IRs adjust IR strength to conditions
- MicroSD slot (512GB max)
- PoE (IEEE 802.3af), 12VDC
- ONVIF® profiles G, S, and T conformant



### AI Functions

- Face detection
- Human & vehicle detection
- Perimeter intrusion detection
- Line crossing detection
- Stationary object detection
- Cross counting
- Heat map
- Crowd density detection
- Queue length detection
- License plate detection
- License plate recognition

## Camera

Image sensor	1/2.7" 5MP SmartSens CMOS
Effective pixels	2880(H)x1620(V)
Scanning system	Progressive scan
Electronic shutter speed	Auto, Manual; 1/5 s to 1/20,000 s
Minimum illumination	Color: 0.002Lux at F1.2 (AGC on) 3Lux with IR on
IR Distance	Distance up to 147" (45m)
IR On/Off control	Auto, manual
IR LEDs	4x850nm LEDS

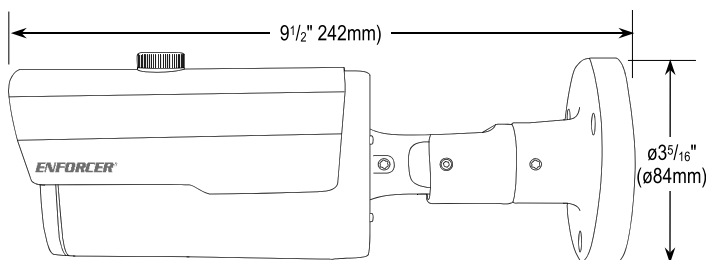
## Lens

Lens type	Motorized
Focal length	2.8~12 mm
Maximum aperture	F1.8~3.3
Field of view	Horizontal: 107°~33.6° Vertical: 54.7°~18.90° Diagonal: 133.7°~37.6°

## Video

Compression	H.265, H.264
Streaming capability	Triple (3) streams
Resolution	2880x1620, 2560x1440, 2304x1296, 1080p (1920x1080), 720p (1280x720)
Bit rate control	CBR/VBR
Bit rate	Main stream: 256 to 8192 Kbps Sub stream: 128 to 4096 Kbps Mobile stream: 8 to 1536 Kbps
Backlight	Disable (default) BLC, HLC, True WDR
White balance	Auto
Gain control	Auto
Noise reduction	3D DNR
Smart IR	Support
Image rotation	0°, 180°
Mirror	Disable, vertical, horizontal, all
Privacy masking	Off, on (4 areas, rectangle)
Region of interest	Support

## Dimensions



## Network

Ethernet	RJ45
Protocol	TCP/IP, HTTP, DHCP, DNS, DDNS, RTP, RTSP, SMTP, NTP, UPnP, SNMP, HTTPS, FTP
Interoperability	ONVIF® profiles G, S, and T conformant
Auto register	Support
Streaming method	Multicast
Max. user access	7
Web viewer	IE, Chrome, Firefox, Edge
On-board storage	Built in memory slot Supports up to 512GB MicroSD/SDHC/SDXC

## Certifications

Certifications	CE, FCC, RoHS
ONVIF®	Profiles G, S, and T conformant
NDAA	Compliant

## Electrical

Power supply	12VDC, or PoE (IEEE 802.3af Class 0)
Power consumption	< 6W

## Environmental

Operating conditions	-40°~131° F (-40°~55° C) Less Than 95% RH
Storage conditions	-40°~140° F (-40°~60° C)
IP Rating	IP66 Weatherproof

## Construction

Casting	Metal
Dimensions	ø3 5/16" x 9 1/2" (ø84x242 mm)
Weight	21.87-oz (620g)

## Accessories

### Junction Box



EV-SCWQ

## IP 5MP 2.8mm Bullet Camera

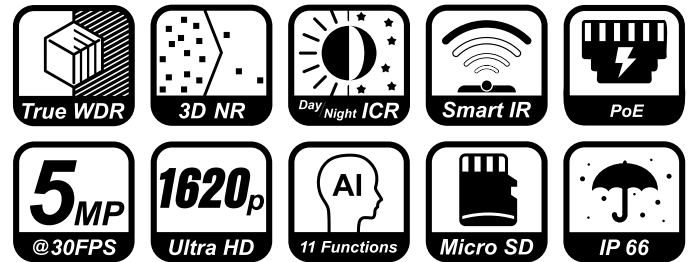
**EV-N1506-2W4WQ** 2.8mm Lens



The ENFORCER Fixed Bullet Camera offers high-resolution video and advanced technology in a compact and accessible package. The camera features H.265 video compression, reducing bandwidth and storage requirements without giving up video quality. With True Wide Dynamic Range (WDR), Digital Noise Reduction (3DNR) and Day/Night (ICR) capabilities, the camera provides excellent picture quality.

### Features

- 1/2.7" 5MP SmartSens CMOS Sensor
- 30FPS@5MP, 1620p (2880x1620)
- 2.8mm Lens
- Triple Stream Encoding: H.265, H.264 and MJPEG
- True Wide Dynamic Range (WDR)
- Digital Noise Reduction (3DNR)
- True Day & Night Function with ICR Module
- ICR Sensitivity adjustment
- Corridor mode
- Operating temperature: -40°~131° F (-40°~55° C)
- IP66 Weatherproof
- IR Range 98' (30m)
- Smart IRs adjust IR strength to conditions
- MicroSD slot (512GB max)
- PoE (IEEE 802.3af), 12VDC
- ONVIF® profiles G, S, and T conformant



### AI Functions

- Face detection
- Human & vehicle detection
- Perimeter intrusion detection
- Line crossing detection
- Stationary object detection
- Cross counting
- Heat map
- Crowd density detection
- Queue length detection
- License plate detection
- License plate recognition

## Camera

Image sensor	1/2.7" 5MP SmartSens CMOS
Effective pixels	2880(H)x1620(V)
Scanning system	Progressive scan
Electronic shutter speed	Auto, Manual; 1/5 s to 1/20,000 s
Minimum illumination	Color: 0.1Lux at F1.2 (AGC on) 0Lux with IR on
IR Distance	Distance up to 98' (30m)
IR On/Off control	Auto, manual
IR LEDs	2x850nm LEDS

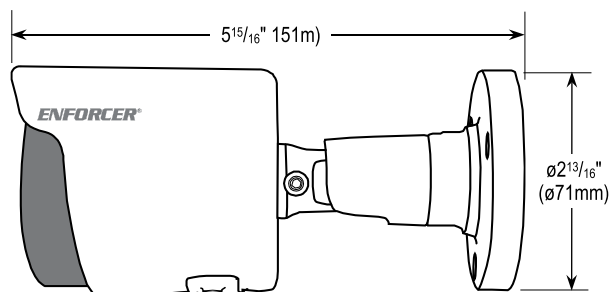
## Lens

Lens type	Fixed
Focal length	2.8mm
Maximum aperture	F1.6
Field of view	Horizontal: 110° Vertical: 58° Diagonal: 133°

## Video

Compression	H.265, H.264
Streaming capability	Triple (3) streams
Resolution	2880x1620, 2560x1440, 2304x1296, 1080p (1920x1080), 720p (1280x720)
Bit rate control	CBR/VBR
Bit rate	Main stream: 256 to 8192 Kbps Sub stream: 128 to 4096 Kbps Mobile stream: 8 to 1536 Kbps
Backlight	BLC, HLC, True WDR
White balance	Auto
Gain control	Auto
Noise reduction	3D DNR
Smart IR	Support
Image rotation	0°, 180°
Mirror	Disable, vertical, horizontal, all
Privacy masking	Off, on (4 areas, rectangle)
Region of interest	Support

## Dimensions



## Network

Ethernet	RJ45
Protocol	TCP/IP, HTTP, DHCP, DNS, DDNS, RTP, RTSP, SMTP, NTP, UPnP, SNMP, HTTPS, FTP
Interoperability	ONVIF® profiles G, S, and T conformant
Auto register	Support
Streaming method	Multicast
Max. user access	7
Web viewer	IE, Chrome, Firefox, Edge
On-board storage	Built in memory slot Supports up to 512GB MicroSD/SDHC/SDXC

## Certifications

Certifications	CE, FCC, RoHS
ONVIF®	Profiles G, S, and T conformant
NDAA	Compliant

## Electrical

Power supply	12VDC, or PoE (IEEE 802.3af Class 0)
Power consumption	< 6W

## Environmental

Operating conditions	-40°~131° F (-40°~55° C) Less Than 95% RH
Storage conditions	-40°~140° F (-40°~60° C)
IP Rating	IP66 Weatherproof

## Construction

Casting	Metal
Dimensions	2 13/16"x5 15/16" (71x151 mm)
Weight	9.7-oz (275g)

## Accessories

### Junction Box



EV-SCWQ

## IP 5MP Motorized 2.8~12 mm Vandal Dome Camera

**EV-N2506-NW4WAQ** 2.8~12 mm Lens

Motorized

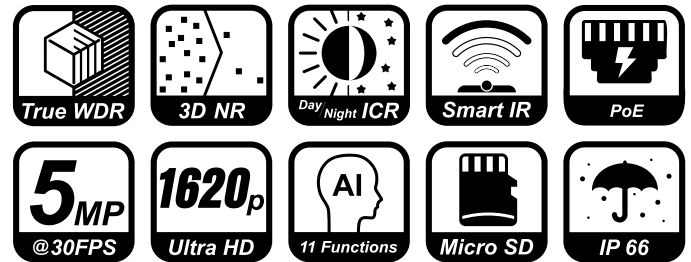
IP

The ENFORCER Motorized Vandal Dome Camera offers high-resolution video and advanced technology in a compact and accessible package. The camera features H.265 video compression, reducing bandwidth and storage requirements without giving up video quality. With True Wide Dynamic Range (WDR), Digital Noise Reduction (3DNR) and Day/Night (ICR) capabilities the camera provides excellent picture quality.



### Features

- 1/2.7" 5MP SmartSens CMOS Sensor
- 30FPS@5MP, 1620p (2880x1620)
- 2.8~12 mm Lens
- Triple Stream Encoding: H.265, H.264 and MJPEG
- True Wide Dynamic Range (WDR)
- Digital Noise Reduction (3DNR)
- True Day & Night Function with ICR Module
- ICR Sensitivity adjustment
- Corridor mode
- Operating temperature: -40°~131° F (-40°~55° C)
- IP66 Weatherproof
- IR Range 147' (45m)
- Smart IRs adjust IR strength to conditions
- MicroSD slot (512GB max)
- PoE (IEEE 802.3af), 12VDC
- ONVIF® profiles G, S, and T conformant



### AI Functions

- Face detection
- Human & vehicle detection
- Perimeter intrusion detection
- Line crossing detection
- Stationary object detection
- Cross counting
- Heat map
- Crowd density detection
- Queue length detection
- License plate detection
- License plate recognition

## Camera

Image sensor	1/2.7" 5MP SmartSens CMOS
Effective pixels	2880(H)x1620(V)
Scanning system	Progressive scan
Electronic shutter speed	Auto, Manual; 1/5 s to 1/20,000 s
Minimum illumination	Color: 0.002Lux at F1.2 (AGC on) 3Lux with IR on
IR Distance	Distance up to 147' (45m)
IR On/Off control	Auto, manual
IR LEDs	4x850nm LEDS

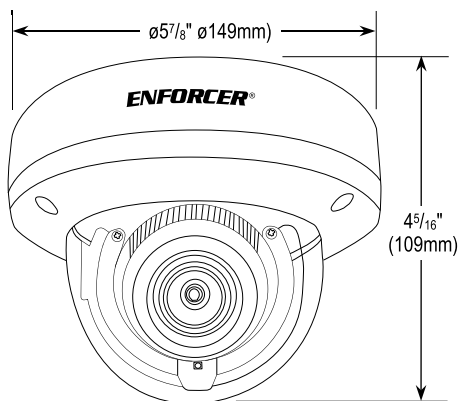
## Lens

Lens type	Motorized
Focal length	2.8~12 mm
Maximum aperture	F1.8~3.3
Field of view	Horizontal: 107°~33.6° Vertical: 54.7°~18.9° Diagonal: 133.7°~37.6°

## Video

Compression	H.265, H.264
Streaming capability	Triple (3) streams
Resolution	2880x1620, 2560x1440, 2304x1296, 1080p (1920x1080), 720p (1280x720)
Bit rate control	CBR/VBR
Bit rate	Main stream: 256 to 8192 Kbps Sub stream: 128 to 4096 Kbps Mobile stream: 8 to 1536 Kbps
Backlight	Disable (default), BLC, HLC, True WDR
White balance	Auto
Gain control	Auto
Noise reduction	3D DNR
Smart IR	Support
Image rotation	0°, 180°
Mirror	Disable, vertical, horizontal, all
Privacy masking	Off, on (4 areas, rectangle)
Region of interest	Support

## Dimensions



## Network

Ethernet	RJ45
Protocol	TCP/IP, HTTP, DHCP, DNS, DDNS, RTP, RTSP, SMTP, NTP, UPnP, SNMP, HTTPS, FTP
Interoperability	ONVIF® profiles G, S, and T conformant
Auto register	Support
Streaming method	Multicast
Max. user access	7
Web viewer	IE, Chrome, Firefox, Edge
On-board storage	Built in memory slot Supports up to 512GB MicroSD/SDHC/SDXC

## Certifications

Certifications	CE, FCC, RoHS
ONVIF®	Profiles G, S, and T conformant
NDAA	Compliant

## Electrical

Power supply	12VDC, or PoE (IEEE 802.3af Class 0)
Power consumption	< 6W

## Environmental

Operating conditions	-40°~131° F (-40°~55° C) Less Than 95% RH
Storage conditions	-40°~140° F (-40°~60° C)
IP Rating	IP66 Weatherproof

## Construction

Casting	Metal
Dimensions	5 7/8" x 4 5/16" (149x109 mm)
Weight	2-lb 1.2-oz (940g)

## Accessories



## IP 5MP 2.8mm Mini Vandal Dome Camera

**EV-N2506-2W4WMQ** 2.8mm Lens

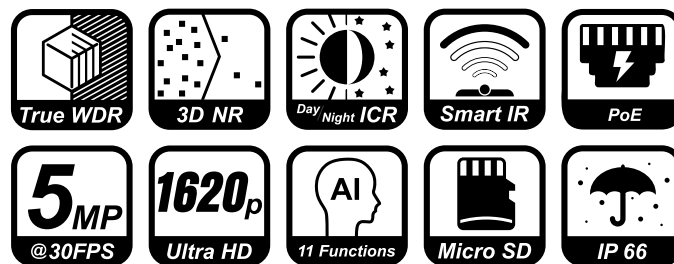


The ENFORCER Mini Vandal Dome Camera offers high-resolution video and advanced technology in a compact and accessible package. The camera features H.265 video compression, reducing bandwidth and storage requirements without giving up video quality. With True Wide Dynamic Range (WDR), Digital Noise Reduction (3DNR), and Day/Night (ICR) capabilities, the camera provides excellent picture quality.



### Features

- 1/2.7" 5MP SmartSens CMOS Sensor
- 30FPS@5MP, 1620p (2880x1620)
- 2.8mm Lens
- Triple Stream Encoding
- H.265, H.264 and MJPEG
- True Wide Dynamic Range (WDR)
- Digital Noise Reduction (3DNR)
- True Day & Night Function ICR Module
- ICR Sensitivity adjustment
- Corridor mode
- Operating temperature: -40°~131° F (-40°~55° C)
- IP66 Weatherproof
- IR Range 66' (20m)
- Smart IRs adjust IR strength to conditions
- MicroSD slot (512GB, max.)
- PoE (IEEE 802.3af), 12VDC
- ONVIF® profiles G, S, and T conformant



### AI Functions

- Face detection
- Human & vehicle detection
- Perimeter intrusion detection
- Line crossing detection
- Stationary object detection
- Cross counting
- Heat map
- Crowd density detection
- Queue length detection
- License plate detection
- License plate recognition

## Camera

Image sensor	1/2.7" 5MP SmartSens CMOS
Effective pixels	2880(H)x1620(V)
Scanning system	Progressive scan
Electronic shutter speed	Auto, Manual; 1/5 s to 1/20,000 s
Minimum illumination	Color: 0.1Lux at F1.2 (AGC on) 0Lux with IR on
IR distance	Distance up to 66' (20m)
IR on/off control	Auto, manual
IR LEDs	10x850nm LEDs

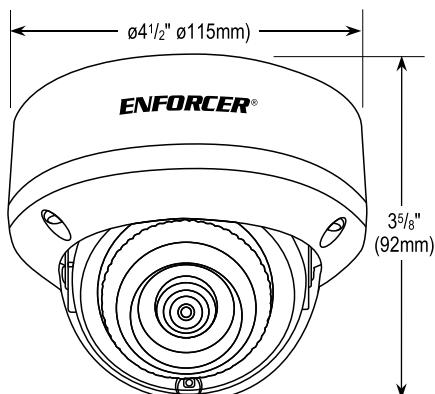
## Lens

Lens type	Fixed
Focal length	2.8mm
Maximum aperture	F1.6
Field of view	Horizontal: 110° Vertical: 58° Diagonal: 133°

## Video

Compression	H.265, H.264
Streaming capability	Triple (3) streams
Resolution	2880x1620, 2560x1440, 2304x1296, 1080p (1920x1080), 720p (1280x720)
Bit rate control	CBR/VBR
Bit rate	Main stream: 256 to 8192 Kbps Sub stream: 128 to 4096 Kbps Mobile stream: 8 to 1536 Kbps
Backlight	Disable (default) BLC, HLC, True WDR
White balance	Auto
Gain control	Auto
Noise reduction	3D DNR
Smart IR	Support
Image rotation	0°, 180°
Mirror	Disable, vertical, horizontal, all
Privacy masking	Off, on (4 areas, rectangle)
Region of interest	Support

## Dimensions



## Network

Ethernet	RJ45
Protocol	TCP/IP, HTTP, DHCP, DNS, DDNS, RTP, RTSP, SMTP, NTP, UPnP, SNMP, HTTPS, FTP
Interoperability	ONVIF® profiles G, S, and T conformant
Auto register	Support
Streaming method	Multicast
Max. user access	7
Web viewer	IE, Chrome, Firefox, Edge
On-board storage	Built in memory slot Supports up to 512GB MicroSD/SDHC/SDXC

## Certifications

Certifications	CE, FCC, RoHS
ONVIF®	Profiles G, S, and T conformant
NDAA	Compliant

## Electrical

Power supply	12VDC, or PoE (IEEE 802.3af Class 0)
Power consumption	< 6W

## Environmental

Operating conditions	-40°~131° F (-40°~55° C) Less Than 95% RH
Storage conditions	-40°~140° F (-40°~60° C)
IP Rating	IP66 Weatherproof

## Construction

Casting	Metal
Dimensions	ø4 1/2"x3 5/8" (ø115x92 mm)
Weight	1-lb 2.3-oz (520g)

## Accessories

### Junction Box



## IP 4K (8MP) Ultra-Low-Light Active Deterrence Bullet Camera



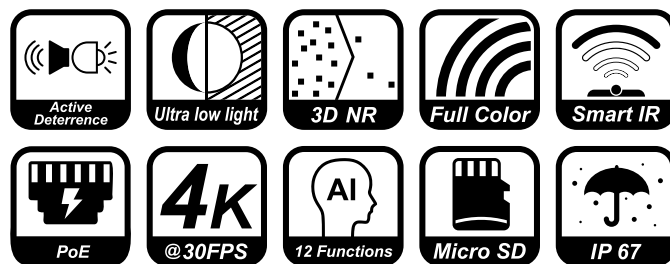
**EV-N1806-2W4D** 2.8mm Lens

The ENFORCER Ultra-Low-Light Active Deterrence Bullet Camera combines 4K-resolution with Active Deterrence. Using a Sony CMOS sensor and ultra-low-light technology, the camera adjusts color information to provide clear images even in dark environments. With Active Deterrence the camera uses AI to distinguish between environmental issues and actual threats and uses red/blue LEDs and sound to warn off intruders, for significantly increased security.



### Features

- Active Deterrence – uses light and sound to warn intruders they are being monitored, providing an extra level of protection
- Upload your own custom message to play when an alarm is triggered (WAV or PCM format, up to 256KB)
- 1/1.8" 8MP Sony CMOS Sensor
- Ultra-low-light technology
- 4K@30FPS, 2160p (3840x2160)
- 2.8mm, F1.0 Lens
- Tri-Stream Encoding: H.265, H.264 and MJPEG
- Corridor mode
- Operating temperature: -40°~131° F (-40°~55° C)
- IP67 Weatherproof
- MicroSD slot (512GB max.)
- PoE (IEEE 802.3af), 12VDC



### AI Functions

- Face detection
- Facial recognition
- Human & vehicle detection
- Perimeter intrusion detection
- Line crossing detection
- Stationary object detection
- Cross counting
- Heat map
- Crowd density detection
- Queue length detection
- License plate detection
- License plate recognition

## Camera

Image sensor	1/1.8" 8MP Sony CMOS
Effective pixels	3840(H)x2160(V)
Scanning system	Progressive scan
Electronic shutter speed	Auto, manual; 1/5 s to 1/20,000 s
Minimum illumination	Color: 0.0005Lux at F1.0 (AGC on) 0Lux with Warmlight on
Warmlight viewable length	Distance up to 82' (25m)
LEDs	2x Warmlight, 1x red, 1x blue

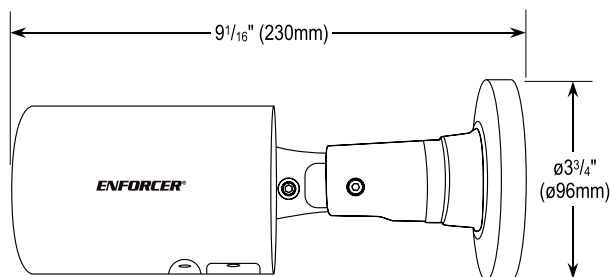
## Lens

Lens type	Fixed
Focal length	2.8mm
Maximum aperture	F1.0
Field of view	Horizontal: 110° Vertical: 59° Diagonal: 132°

## Video

Compression	H.265, H.264
Streaming capability	Triple (3) streams
Resolution	2880x1620, 2560x1440, 2304x1296, 1080p (1920x1080), 720p (1280x720)
Bit rate control	CBR/VBR
Bit rate	Main stream: 256 to 16384 Kbps Sub stream: 128 to 4096 Kbps Mobile stream: 8 to 1536 Kbps
Backlight	Disable (default), BLC, HLC, True WDR
White balance	Auto
Gain control	Auto
Noise reduction	3D DNR
Image rotation	0°, 180°
Mirror	Disable, vertical, horizontal, all
Privacy masking	Off, on (4 areas, rectangle)
Region of interest	Support
Active deterrence	Support

## Dimensions



## Network

Ethernet	RJ45
Protocol	TCP/IP, HTTP, DHCP, DNS, DDNS, RTP/RTSP, SMTP, NTP, UPnP, SNMP, HTTPS, FTP
Interoperability	ONVIF® profiles G, S, and T conformant
Auto register	Support
Streaming method	Multicast / Unicast
Max. user access	7
Web viewer	IE, Chrome, Firefox, Edge
On-board storage	Built in memory slot Supports up to 512GB MicroSD/SDHC/SDXC

## Certifications

Certifications	CE, FCC, RoHS
ONVIF®	Profiles G, S, and T conformant
NDAA	Compliant

## Electrical

Power supply	12VDC, or PoE (IEEE 802.3af Class 0)
Power consumption	< 6W

## Environmental

Operating conditions	-40°~131° F (-40°~55° C) Less Than 95% RH
Storage conditions	-40°~140° F (-40°~60° C)
IP Rating	IP67 Weatherproof

## Construction

Casting	Metal
Dimensions	ø3 3/4" x 9 1/16" (ø96x230 mm)
Weight	1-lb 12-oz (800g)

## Accessories

### Junction Box



EV-SCWQ

## IP 4K (8MP) Ultra-Low-Light Active Deterrence Turret Camera

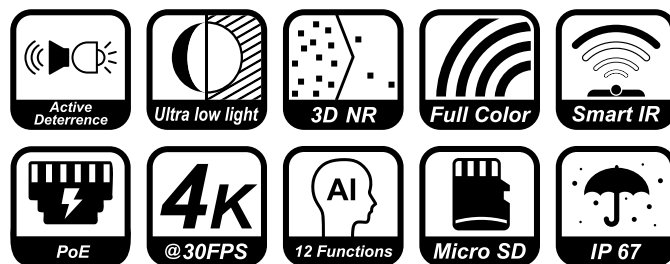


**EV-N2806-2W4D** 2.8mm Lens

The ENFORCER Ultra-Low-Light Active Deterrence Turret Camera combines 4K-resolution with Active Deterrence. Using a Sony CMOS sensor and ultra-low-light technology, the camera adjusts color information to provide clear images even in dark environments. With Active Deterrence the camera uses AI to distinguish between environmental issues and actual threats and uses red/blue LEDs and sound to warn off intruders, for significantly increased security.

### Features

- Active Deterrence – uses light and sound to warn intruders they are being monitored, providing an extra level of protection
- Upload your own custom message to play when an alarm is triggered (WAV or PCM format, up to 256KB)
- 1/1.8" 8MP Sony CMOS Sensor
- Ultra-low-light technology
- 4K@30FPS, 2160p (3840x2160)
- 2.8mm, F1.0 Lens
- Tri-Stream Encoding: H.265, H.264 and MJPEG
- Corridor mode
- Operating temperature: -40°~131° F (-40°~55° C)
- IP67 Weatherproof
- MicroSD slot (512GB max.)
- PoE (IEEE 802.3af), 12VDC



### AI Functions

- Face detection
- Facial recognition
- Human & vehicle detection
- Perimeter intrusion detection
- Line crossing detection
- Stationary object detection
- Cross counting
- Heat map
- Crowd density detection
- Queue length detection
- License plate detection
- License plate recognition

## Camera

Image sensor	1/1.8" 8MP Sony CMOS
Effective pixels	3840(H)x2160(V)
Scanning system	Progressive scan
Electronic shutter speed	Auto, manual; 1/5 s to 1/20,000 s
Minimum illumination	Color: 0.0005Lux at F1.0 (AGC on) 0Lux with Warmlight on
Warmlight viewable length	Distance up to 82' (25m)
LEDs	2x Warmlight, 1x red, 1x blue

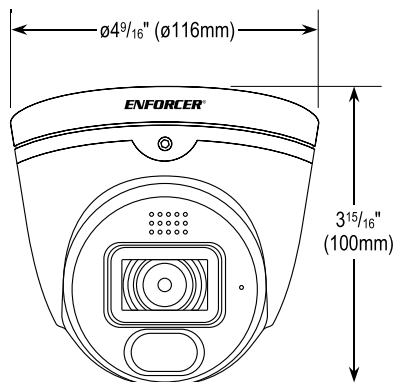
## Lens

Lens type	Fixed
Focal length	2.8mm
Maximum aperture	F1.0
Field of view	Horizontal: 110° Vertical: 59° Diagonal: 132°

## Video

Compression	H.265, H.264
Streaming capability	Triple (3) streams
Resolution	2880x1620, 2560x1440, 2304x1296, 1080p (1920x1080), 720p (1280x720)
Bit rate control	CBR/VBR
Bit rate	Main stream: 256 to 16384 Kbps Sub stream: 128 to 4096 Kbps Mobile stream: 8 to 1536 Kbps
Backlight	Disable (default), BLC, HLC, True WDR
White balance	Auto
Gain control	Auto
Noise reduction	3D DNR
Image rotation	0°, 180°
Mirror	Disable, vertical, horizontal, all
Privacy masking	Off, on (4 areas, rectangle)
Region of interest	Support
Active deterrence	Support

## Dimensions



## Network

Ethernet	RJ45
Protocol	TCP/IP, HTTP, DHCP, DNS, DDNS, RTP/RTSP, SMTP, NTP, UPnP, SNMP, HTTPS, FTP
Interoperability	ONVIF® profiles G, S, and T conformant
Auto register	Support
Streaming method	Multicast / Unicast
Max. user access	7
Web viewer	IE, Chrome, Firefox, Edge
On-board storage	Built in memory slot Supports up to 512GB MicroSD/SDHC/SDXC

## Certifications

Certifications	CE, FCC, RoHS
ONVIF®	Profiles G, S, and T conformant
NDAA	Compliant

## Electrical

Power supply	12VDC, or PoE (IEEE 802.3af Class 0)
Power consumption	< 6W

## Environmental

Operating conditions	-40°~131° F (-40°~55° C) Less Than 95% RH
Storage conditions	-40°~140° F (-40°~60° C)
IP Rating	IP67 Weatherproof

## Construction

Casting	Metal
Dimensions	ø4 9/16" x 3 15/16" (ø116x100 mm)
Weight	1-lb 5-oz (580g)

## Accessories

### Junction Box



EV-STWQ

## IP Corner-Mount Camera

### Features

- 1440p resolution
- 1/2.8" 5MP Sony STARVIS™ CMOS  
Designed to easily fit corners in office buildings, elevators, jail cells, and more
- 2.9mm Lens
- 12VDC and PoE 802.3af Operation
- Rugged, weather-resistant (IP65) design
- 10/100Mbps Ethernet interface (x24)



### Model Number

**EV-N4506-2S4Q**

*IP, Corner-mount, 2.9mm, 5MP, PoE*

### Specifications

CMOS	1/2.8" 5MP Sony IMX335
Max. streaming	1440p @30fps
Video output format	H.264/H.265, Tri-Stream IP Camera
Viewing angle	135°
IP Rating	IP65
# of IR LEDs	30 (940nm)
Dimensions	7 1/2"x5 1/2"x1 1/16" (190x140x43 mm)

## IP Wall-Plate Camera

### Features

- 1/2.8" 2MP Sony STARVIS™ CMOS
- H.265, H.264/MJPEG, Tri-stream IP Camera
- Max. 30FPS/Full HD 2MP (1920x1080)
- Weatherproof for indoor and outdoor use (IP65)
- Remote access via web browser
- Network Bandwidth Control
- Event Alarm, E-mail, FTP Function
- Vandal-resistant metal front panel
- 3DNR & D-WDR
- 12VDC, PoE (IEEE 802.3af)



### Model Number

**EV-N5205-3S4Q**

*IP, Wall-plate, 2.5mm, 2MP, PoE*

### Specifications

Sensor	1/2.8" 2MP Sony STARVIS™ CMOS	
Video encoding	H.265, H.264, MJPEG	
Resolution	2MP, (1920x1080)	
DNR	2DNR	Yes
	3DNR	Yes
D-WDR	Yes	
Lens	2.5mm	
IP Rating	IP65	
Operating voltage	12VDC, PoE (IEEE 802.3af)	
Operating temperature	32°~122° F (0°~50° C)	
Dimensions	2 3/4"x4 1/2"x3 1/16" (70x114x78 mm)	
Weight	3.8-oz (110g)	

## IP PIR Camera

### Features

- 1440p resolution
- 1/2.8" 5MP Sony CMOS
- 3.7mm Covert Pinhole Lens
- 12VDC and PoE 802.3af Operation
- 10/100Mbps Ethernet interface (x24)
- Weather-resistant for indoor and outdoor use (IP65)
- 30FPS
- D-WDR
- 3DNR



### Model Number

**EV-N6506-3W4Q**

*IP, PIR, 3.7mm, 5MP, PoE*

### Specifications

CMOS	1/2.8" 5MP Sony CMOS
Max. streaming	1440p @30fps
Video output format	H.265/MJPEG, Dual Stream
Viewing angle	120°
IP Rating	IP65
# of IR LEDs	18 Covert LEDs (940nm)
Dimensions	4 1/16"x2 3/8"x1 5/16" (104x60x34 mm)



# Save to Cloud Services for Backup and Sharing

All ENFORCER NVRs support saving all video, image, and setup data to Dropbox and Google Drive™ online storage service.



ONVIF® is a trademark of ONVIF, Inc.

The storage capacity of cloud-based services depends on the storage allocated to each individual account

Dropbox is a registered trademark of Dropbox, Inc.

Google Drive™ is a trademark of Google LLC.



(800) 662-0800



(949) 261-7326



sales@seco-larm.com



www.seco-larm.com



16842 Millikan Ave. Irvine, CA 92606

SECO-LARM® ENFORCER® CRIMEBUSTER® CBA® SLI®



## HD 5MP 2.8mm Turret Camera

**EV-Y2501-A2WWQ** 2.8mm Fixed Lens



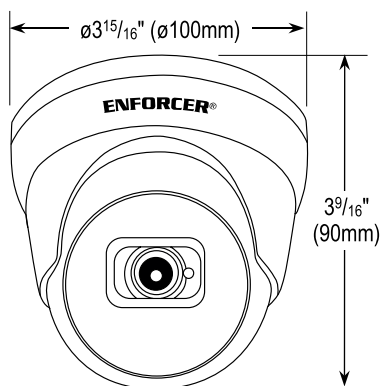
The ENFORCER HD 5MP Fixed Turret Camera offers high-resolution video and advanced technology in a compact and accessible package. With True Wide Dynamic Range (WDR), Digital Noise Reduction (3DNR) and Day/Night (ICR) capabilities, the camera provides excellent picture quality.

### Features

- 1/2.8" 5MP Sony CMOS Sensor
- 20FPS@5MP, (2592x1944)
- 2.8mm Fixed lens
- TVI, CVI, AHD, CVBS (Analog)
- True Wide Dynamic Range (WDR)
- 3D Digital Noise Reduction (3DNR)
- True Day & Night Function with ICR Module
- IR Range 98' (30m)
- Operating temperature: -40°~131° F (-40°~55° C)
- Rugged weatherproof construction (IP66)
- Heavy-duty vandal-resistant design
- Cables concealed in bracket to prevent tampering
- 12VDC

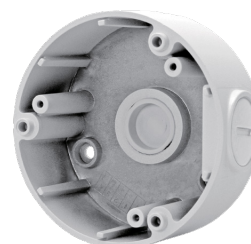


### Dimensions



### Accessories

Junction Box



EV-SSWQ

## Camera

Image sensor	1/2.8" 5MP Sony CMOS
Effective pixels	2592(H)x1944(V)
Formats	TVI (Default) / CVI / AHD / Analog (CVBS)
OSD (On-screen display)	Yes
S/N ratio	35db
Minimum illumination	Color: 0.05Lux at F1.2 (AGC on) 0Lux with IR on
IR Distance	Distance up to 98' (30m)
IR LEDs	2x 850nm LEDS

## Lens

Lens type	Fixed
Focal length	2.8mm
Maximum aperture	F1.6
Field of view	128°

## Video

Resolution	2592x1944
WDR	Yes
Shutter control	Auto
White balance	Auto
Gain control	Auto
Noise reduction	3D DNR
Privacy masking	Off, on (4 areas, rectangle)

## Certifications

Certifications	CE, FCC, RoHS
----------------	---------------

## Electrical

Operating voltage	12VDC	
Current Draw	IR On	440mA
	IR Off	80mA

## Environmental

Operating temperature	-40°~131° F (-40°~55° C)
IP Rating	IP66 Weatherproof

## Construction

Casting	Metal
Dimensions	ø3 <sup>15</sup> / <sub>16</sub> "x3 <sup>9</sup> / <sub>16</sub> " (ø100x90 mm)
Weight	16.72-oz (474g)

## HD 5MP 2.8~12 mm Varifocal Turret Camera

**EV-Y2501-AMWWQ** 2.8~12 mm Lens



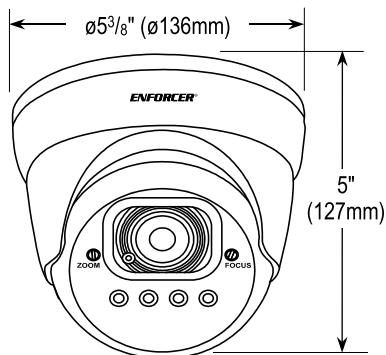
The ENFORCER HD 5MP Varifocal Turret Camera offers high-resolution video and advanced technology in a compact and accessible package. With True Wide Dynamic Range (WDR), Digital Noise Reduction (3DNR) and Day/Night (ICR) capabilities, the camera provides excellent picture quality.

### Features

- 1/2.8" 5MP Sony CMOS Sensor
- 5MP@20FPS, (2592x1944)
- 2.8~12 mm Varifocal lens
- TVI, CVI, AHD, CVBS (Analog)
- True Wide Dynamic Range (WDR)
- 3D Digital Noise Reduction (3DNR)
- True Day & Night Function with ICR Module
- IR Range 115' (35m)
- Operating temperature: -40°~131° F (-40°~55° C)
- Rugged weatherproof construction (IP66)
- Heavy-duty vandal-resistant design
- Cables concealed in bracket to prevent tampering
- 12VDC



### Dimensions



### Accessories

Junction Box



EV-STWQ

## Camera

Image sensor	1/2.8" 5MP Sony CMOS
Effective pixels	2592(H)x1944(V)
Formats	TVI (Default) / CVI / AHD / Analog (CVBS)
OSD (On-screen display)	Yes
S/N ratio	35db
Minimum illumination	Color: 0.05Lux at F1.2 (AGC on) 0Lux with IR on
IR Distance	Distance up to 115' (35m)
IR LEDs	4x 850nm LEDES

## Lens

Lens type	Varifocal
Focal length	2.8~12 mm
Maximum aperture	F1.8~3.3
Field of view	37°~134°

## Video

Resolution	2592x1944
WDR	Yes
Shutter control	Auto
White balance	Auto
Gain control	Auto
Noise reduction	3D DNR
Privacy masking	Off, on (4 areas, rectangle)

## Certifications

Certifications	CE, FCC, RoHS
----------------	---------------

## Electrical

Operating voltage	12VDC	
Current	IR On	440mA
Draw	IR Off	80mA

## Environmental

Operating temperature	-40°~131° F (-40°~55° C)
IP Rating	IP66 Weatherproof

## Construction

Casting	Metal
Dimensions	ø5 <sup>3</sup> / <sub>8</sub> "x5" (ø136x127 mm)
Weight	1-lb 9.3-oz (720g)

## HD 5MP 2.8mm Bullet Camera

**EV-Y1501-A2WWQ** 2.8mm Fixed Lens



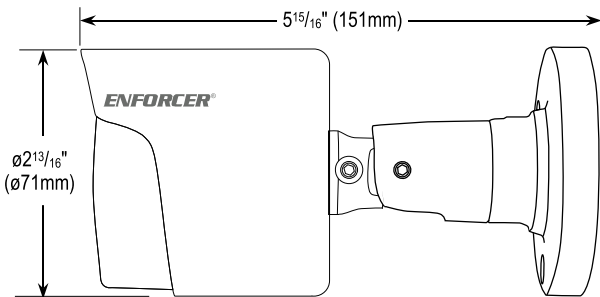
The ENFORCER HD 5MP Fixed Bullet Camera offers high-resolution video and advanced technology in a compact and accessible package. With True Wide Dynamic Range (WDR), Digital Noise Reduction (3DNR) and Day/Night (ICR) capabilities, the camera provides excellent picture quality.

### Features

- 1/2.8" 5MP Sony CMOS Sensor
- 20FPS@5MP, (2592x1944)
- 2.8mm Fixed lens
- TVI, CVI, AHD, CVBS (Analog)
- True Wide Dynamic Range (WDR)
- 3D Digital Noise Reduction (3DNR)
- True Day & Night Function with ICR Module
- IR Range 98' (30m)
- Operating temperature: -40°~131° F (-40°~55° C)
- Rugged weatherproof construction (IP66)
- Heavy-duty vandal-resistant design
- Cables concealed in bracket to prevent tampering
- 12VDC



### Dimensions



### Accessories

Junction Box



EV-SCWQ

## Camera

Image sensor	1/2.8" 5MP Sony CMOS
Effective pixels	2592(H)x1944(V)
Formats	TVI (Default) / CVI / AHD / Analog (CVBS)
OSD (On-screen display)	Yes
S/N ratio	35db
Minimum illumination	Color: 0.05Lux at F1.2 (AGC on) 0Lux with IR on
IR Distance	Distance up to 98' (30m)
IR LEDs	2x 850nm LEDS

## Lens

Lens type	Fixed
Focal length	2.8mm
Maximum aperture	F1.6
Field of view	128°

## Video

Resolution	2592x1944
WDR	Yes
Shutter control	Auto
White balance	Auto
Gain control	Auto
Noise reduction	3DNR
Privacy masking	Off, on (4 areas, rectangle)

## Certifications

Certifications	CE, FCC, RoHS
----------------	---------------

## Electrical

Operating voltage	12VDC	
Current Draw	IR On	440mA
	IR Off	80mA

## Environmental

Operating temperature	-40°~131° F (-40°~55° C)
IP Rating	IP66 Weatherproof

## Construction

Casting	Metal
Dimensions	ø2 <sup>13</sup> / <sub>16</sub> "x5 <sup>15</sup> / <sub>16</sub> " (ø71x151 mm)
Weight	0.7-lb (340g)

## HD 5MP 2.8~12 mm Varifocal Bullet Camera

**EV-Y1501-AMWWQ** 2.8~12 mm Lens



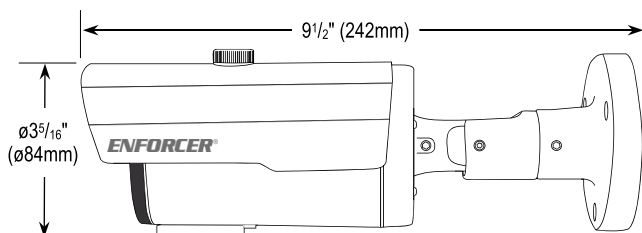
The ENFORCER HD 5MP Varifocal Bullet Camera offers high-resolution video and advanced technology in a compact and accessible package. With True Wide Dynamic Range (WDR), Digital Noise Reduction (3DNR) and Day/Night (ICR) capabilities, the camera provides excellent picture quality.

### Features

- 1/2.8" 5MP Sony CMOS Sensor
- 5MP@20FPS, (2592x1944)
- 2.8~12 mm Varifocal lens
- TVI, CVI, AHD, CVBS (Analog)
- True Wide Dynamic Range (WDR)
- 3D Digital Noise Reduction (3DNR)
- True Day & Night Function with ICR Module
- IR Range 115' (35m)
- Operating temperature: -40°~131° F (-40°~55° C)
- Rugged weatherproof construction (IP66)
- Heavy-duty vandal-resistant design
- Cables concealed in bracket to prevent tampering
- 12VDC



### Dimensions



### Accessories

Junction Box



EV-SCWQ

## Camera

Image sensor	1/2.8" 5MP Sony CMOS
Effective pixels	2592(H)x1944(V)
Formats	TVI (Default) / CVI / AHD / Analog (CVBS)
OSD (On-screen display)	Yes
S/N ratio	35db
Minimum illumination	Color: 0.05Lux at F1.2 (AGC on) 0Lux with IR on
IR Distance	Distance up to 115' (35m)
IR LEDs	4x 850nm LEDES

## Lens

Lens type	Varifocal
Focal length	2.8~12 mm
Maximum aperture	F1.8~3.3
Field of view	37°~134°

## Video

Resolution	2592x1944
WDR	Yes
Shutter control	Auto
White balance	Auto
Gain control	Auto
Noise reduction	3DNR
Privacy masking	Off, on (4 areas, rectangle)

## Certifications

Certifications	CE, FCC, RoHS
----------------	---------------

## Electrical

Operating voltage	12VDC	
Current	IR On	440mA
Draw	IR Off	80mA

## Environmental

Operating temperature	-40°~131° F (-40°~55° C)
IP Rating	IP66 Weatherproof

## Construction

Casting	Metal
Dimensions	Ø3 <sup>5</sup> / <sub>16</sub> "x9 <sup>1</sup> / <sub>2</sub> " (ø84x242 mm)
Weight	1-lb 6-oz (760g)

## 4-in-1 HD 2.8mm Turret Cameras



EV-Y2251-A2WQ

HD

DNR

1080p  
Resolution

1440p  
Resolution \*

### Features

- ICR Module
- D-WDR (Digital Wide Dynamic Range)
- Joystick OSD control
- Heavy-duty vandal-resistant design
- Rugged, weatherproof (IP66) construction
- Split-glass design eliminates IR reflection
- Cables concealed in bracket to prevent tampering
- Mounting brackets available (EV-SSWQ, white or EV-SSGQ, gray. See pg. 38)

### Model Numbers

#### EV-Y2251-A2WQ

HD, Turret, 2.8mm, 2MP, 12VDC, white

#### EV-Y2501-A2GQ\*

HD, Turret, 2.8mm, 5MP, 12VDC, gray

### Specifications

Model	EV-Y2251-A2WQ	EV-Y2501-A2GQ
Formats	TVI (Default) / CVI / AHD / Analog (CVBS)	
CMOS	1/2.7" 2MP CMOS	1/2.7" 5MP CMOS
3DNR / D-WDR	3DNR	D-WDR
Lens	2.8mm ICR	
Viewing angle	121°	
# of SMT LEDs	18	
IR Range	Up to 65ft (20m)	
Gain control	Auto	
IP Rating	IP66	
Dimensions	ø3 <sup>15</sup> / <sub>16</sub> "x3 <sup>9</sup> / <sub>16</sub> " (ø100x90 mm)	
Weight	16.72-oz (474g)	

## 4-in-1 HD 2.8~12mm Turret Cameras



EV-Y2251-AMWQ

HD

DNR

1080p  
Resolution

1440p  
Resolution \*

### Features

- ICR Module
- D-WDR (Digital Wide Dynamic Range)
- Joystick OSD control
- Heavy-duty vandal-resistant design
- Rugged, weatherproof (IP66) construction
- Split-glass design eliminates IR reflection
- Cables concealed in bracket to prevent tampering
- Mounting brackets available (EV-SLWQ, white or EV-SLGQ, gray. See pg. 38)

### Model Numbers

#### EV-Y2251-AMWQ

HD, Turret, 2.8~12mm, 2MP, 12VDC, white

#### EV-Y2501-AMGQ\*

HD, Turret, 2.8~12mm, 5MP, 12VDC, gray

### Specifications

Model	EV-Y2251-AMWQ	EV-Y2501-AMGQ
Formats	TVI (Default) / CVI / AHD / Analog (CVBS)	
CMOS	1/2.7" 2MP CMOS	1/2.7" 5MP CMOS
3DNR / D-WDR	3DNR	D-WDR
Lens	2.8~12mm ICR	
Viewing angle	38°~138°	
# of IR LEDs	40 (SMT)	
IR Range	Up to 148ft (45m)	
Gain control	Auto	
IP Rating	IP66	
Dimensions	ø5 <sup>5</sup> / <sub>16</sub> "x5" (ø135x127 mm)	
Weight	1-lb, 9.3-oz (720g)	

## 4-in-1 HD Wall-Plate Camera

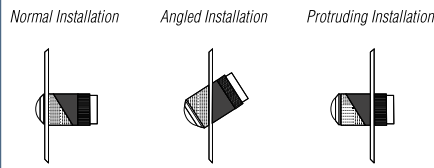


**HD**

**STARVIS  
CMOS**

**1080p  
Resolution**

### Installation Options:



### Features

- 2.9mm Lens (155° viewing angle)
- 1/2.8" 2MP Sony STARVIS™ CMOS
- D-WDR (Digital Wide Dynamic Range)
- 2DNR (2D Digital Noise Reduction)
- Vandal-resistant
- Fits in a standard single-gang back box (not included)
- Adjustable mounting angle
- Each kit includes:
  - Camera
  - Single-gang plate
  - Slimline plate
  - Angled mounting rings
- Rugged, waterproof (IP67) design

### Model Number

**EV-Y5105-N2SQ**

HD, Wall-plate, 2.9mm, 2MP, 12VDC

### Specifications

Video output format	TVI / CVI / AHD / Analog	
CMOS	1/2.8" 2MP Sony STARVIS™ CMOS	
Resolution	1080p	
Video output	1.0Vp-p Complex video, 75Ω	
Lens	2.9mm	
Viewing angle	155°	
S/N Ratio	50dB	
Operating voltage	12VDC	
Current draw	130mA	
IP Rating	IP67	
Operating temperature	14°~122° F (-10°~50° C)	
Dimensions	Camera	1 <sup>2</sup> / <sub>16</sub> "x01 <sup>1</sup> / <sub>8</sub> " (36x028 mm)
	Single-gang plate	2 <sup>3</sup> / <sub>4</sub> "x4 <sup>1</sup> / <sub>2</sub> " (70x114 mm)
	Slimline plate	1 <sup>1</sup> / <sub>2</sub> "x4 <sup>1</sup> / <sub>2</sub> " (38x114 mm)
Camera body weight	2.8-oz (80g)	

## 4-in-1 HD Corner-Mount Camera

**EV-Y4201-A2SQ**



**HD**

**STARVIS  
CMOS**

**DNR**

**1080p  
Resolution**

- Supports HD TVI, CVI, AHD, and Analog formats
- 1200 TV Lines, 1080p resolution
- 1/2.8" 2MP Sony STARVIS™ CMOS
- 2.8mm ICR Lens
- 12VDC
- True Day & Night function with ICR mechanism
- 30 Covert IR SMT LEDs for discreet monitoring
- Built-in joystick OSD control
- Vandal-resistant metal front panel
- Designed to easily fit corners in office buildings, elevators, and more
- Rugged, weatherproof (IP65) design

## 4-In-1 HD Covert PIR Camera

**EV-Y6501-A3WQ**



**HD**


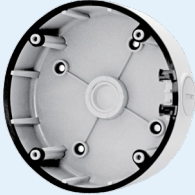




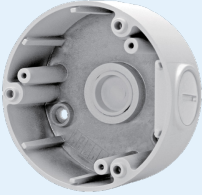

**DNR**

**1440p  
Resolution**

- Select between multiple formats: TVI, CVI, AHD, and Analog
- Joystick OSD Control
- D-WDR (Digital Wide Dynamic Range)
- Camera is hidden in a non-functioning PIR sensor housing
- 1/2.8" 5MP Sony CMOS
- 3.7mm Covert pinhole lens
- 18 Covert IR LEDs for discreet monitoring
- 1440p Resolution
- 2DNR (2D Digital Noise Reduction)

## Camera Mounting Brackets

### Conduit Box Brackets

Model Numbers:	Compatible with:	Model Numbers:	Compatible with:	Model Numbers:	Compatible with:
<b>EV-STWQ</b> <i>Large turret, white</i> 	EV-N2506-NW4WQ EV-Y2501-AMWWQ EV-N2806-2W4D	<b>EV-SVWQ</b> <i>Vandal dome, white</i> 	EV-Y2501-AMWAQ	<b>EV-SMWQ</b> <i>Mini vandal dome, white</i> 	EV-N2506-2W4WMQ
<b>EV-SLWQ</b> <i>Large turret, white</i> 	EV-Y2501-AMWQ EV-Y2251-AMWQ	<b>EV-SDWQ</b> <i>Dome, white</i> 	EV-N2506-NW4WAQ	<b>EV-SSGQ</b> <i>Small turret, gray</i> 	EV-Y2501-A2GQ
<b>EV-SSWQ</b> <i>Small turret, white</i> 	EV-Y2501-A2WQ EV-Y2501-A2WWQ EV-Y2251-A2WQ EV-N2506-2W4Q EV-N2506-2W4WQ EV-N2506-2W4WLQ EV-N2806-2W4WQ	<b>EV-SCWQ</b> <i>Bullet, white</i> 	EV-N1506-2W4Q EV-N1506-2W4WQ EV-N1506-NW4WQ EV-Y1501-A2WQ EV-Y1501-AMWQ EV-N1806-2W4D		

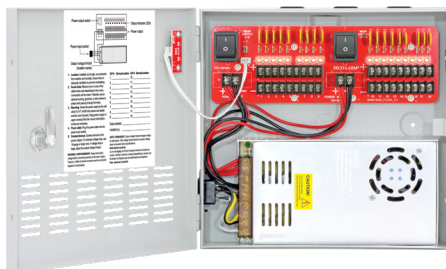
### Sample Applications



## 12VDC Switching CCTV Power Supplies

### Features

- 100~220 VAC Input\*
- New lightweight, cost-effective design
- Improved efficiency
- Adjustable output to reduce voltage drop
- Outputs protected with PTC fuses
- Individual output status LEDs
- Heavy-duty steel case with cover
- Built-in short circuit and overheat protection



PC-U1820-PULQ shown

### Model Numbers

#### PC-U0405-PULQ

4 Outputs, 5A cont., PTC fuses

#### PC-U0910-PULQ

9 Outputs, 10A cont., PTC fuses

#### PC-U1810-PULQ

18 Outputs, 10A cont., PTC fuses

#### PC-U1820-PULQ

18 Outputs, 20A cont., PTC fuses

#### PC-U1830-PULQ

18 Outputs, 30A cont., PTC fuses

### Specifications

Model	PC-U0405-PULQ	PC-U0910-PULQ	PC-U1810-PULQ	PC-U1820-PULQ	PC-U1830-PULQ
Outputs	4	9	18	18	18
Total supply current	5A	10A	10A	20A	30A
Max. current per output	1.6A		1.1A	1.6A	1.85A
Output fuse	PTC				
Output voltage	11.0~13.8 VDC (adjustable by trimpot, ±10%)				
Input voltage*	100~220 VAC ±10% (47~63 Hz)			110/220 VAC (50/60 Hz)	
LED Indicators	Cover	Green: AC Input, Red: DC Output			
	PDM**	Red: DC Output			
Operating humidity	90% (non-condensing)				
Operating temperature	32°~104° F (0°~40° C)				
Dimensions	9 <sup>7</sup> / <sub>16</sub> "x10 <sup>1</sup> / <sub>4</sub> "x2 <sup>3</sup> / <sub>8</sub> " (240x260x60 mm)		10"x10 <sup>5</sup> / <sub>16</sub> "x3 <sup>1</sup> / <sub>8</sub> " (254x262x79 mm)		
Weight	4-lb 3-oz (1.89kg)	4-lb 7-oz (2.01kg)	5-lb 2-oz (2.31kg)	6-lb 1-oz (2.76kg)	6-lb 4-oz (2.84kg)

\* UL listed for 90~120 VAC \*\* Power distribution module

## Rack-Mount Power Supply

### Model Number

#### PH-U1820-PULQ

18 Outputs, 20A



### Features

- 18 Outputs, 20A total
- PTC fuse protected outputs, 16 outputs at 1.6A and 2 outputs at 5A
- 11.7~13.6 VDC field-adjustable output
- 110/220 VAC Input with selection switch
- LCD Display of output voltage and total output current
- LED Status indicators for each output
- Removable screw terminal blocks for convenient installation and reliable connections
- For rack mounting or stacking on a shelf
- Compact 1U size fits standard racks
- Attractive, high-tech industrial design

### Specifications

Input voltage	110/220 VAC (with selection switch)	
Input fuse	Glass, 10A	
Number of outputs	18	
Maximum current per output	Ch. 1~2	5A
	Ch. 3~18	1.6A
Output fuse type	PTC	
Output voltage	Adjustable, 11.7~13.6 VDC	
Rack-mount height	1U	
Operating humidity	Up to 90%, non-condensing	
Operating temperature	-14°~86° F (-26°~30° C)	
Dimensions	1 <sup>3</sup> / <sub>4</sub> "x17 <sup>1</sup> / <sub>2</sub> "x7 <sup>7</sup> / <sub>8</sub> " (45x445x200 mm)	
Weight	5-lb 7-oz (2.47kg)	

## 4-Channel "Brick" Power Supply

### Features

- 4-Channel, 5-Amp power distribution
- Can be mounted with the bracket for easy access and reduced power cord clutter
- Universal input voltage: 100~240 VAC
- Adjustable output voltage: 12~13.8 VDC
- Built-in 6.8-Amp overcurrent protection
- High voltage and overcurrent protection
- LED Power indicator



### Model Number

**PA-U0405-NULQ**  
4 Outputs, 5A Continuous

## Low-Noise CCTV Power Supply



### Features

- Low-noise design for all CCTV applications where filtered power is needed, such as 4K (8MP) HD CCTV cameras, non-PoE IP cameras, and analog cameras
- 110/220 VAC input with 6kV surge protection
- Each output's voltage individually adjustable to compensate for voltage drop
- Outputs independently grounded with integrated noise filter for better noise reduction
- Outputs individually isolated and individually fused (2A PTC)
- Individual output status LEDs
- Heavy-duty steel case with cover and cam lock
- Built-in short circuit and overheat protection

### Model Number

**PC-L1620-PQ**  
16 Outputs, 20A cont., PTC fuses

NEW

### Specifications

Operating voltage	110/220 VAC (50/60Hz)
Outputs	16
Total supply current	20A
Max. current per output	1.25A
Output fuse	2A PTC (Per-channel)
Output voltage	12VDC ±5%
Efficiency	80%
LED Indicators	Individual per output, red indicates powered
Operating humidity	95% non-condensing
Operating temperature	32°~104° F (0°~40° C)
Dimensions	8"x9 <sup>3</sup> / <sub>16</sub> "x3 <sup>15</sup> / <sub>16</sub> " (204x250x100 mm)
Weight	6-lb (2.71kg)

## Power Adapters

### Features

#### ST-UV12-S1.0Q, and ST-UV12-S2.0Q Only:

- Sideways plug for easy use on power strips
- Universal 100~240 VAC input
- Regulated 12VDC output
- 6ft (1.8m) Cord with 2.1mm plug (positive center)
- Low current drain

#### ST-UV12-S5.0Q Only:

- Convert AC input power to low-voltage DC output power
- LED Power indicator
- Universal 100~240 VAC input
- Regulated 12VDC output
- 6ft (1.8m) Cord with 2.1mm plug (positive center)
- Includes AC power cord (IEC320-C13)
- Low current drain



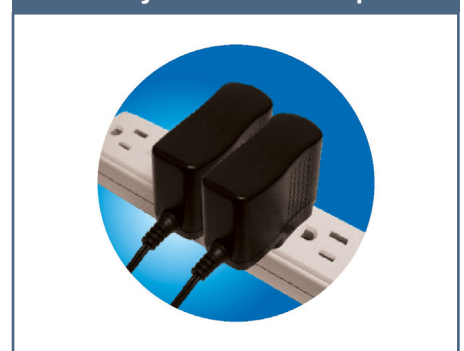
### Model Numbers

**ST-UV12-S1.0Q** 1 Amp

**ST-UV12-S2.0Q** 2 Amps

**ST-UV12-S5.0Q** 5 Amps

### Fits Easily with Power Strip



## Power Converters

### Features

- Two models available, providing varying degrees of low-voltage DC output
- Built-in overload protection
- Regulated and filtered output
- LED Indicates power input
- 2.1mm DC Plug with pigtail for simple and quick installations



### Model Numbers

**ST-LA108-TPQ**  
0.8A@12VDC

**ST-LA115-TPQ**  
1.5A@12VDC

## Passive Ethernet over Coax

### Features

- 1 Channel Ethernet over coax
- 10/100 Mbps Full duplex
- Transmission distance: 650ft (200m)
- Link Cable: RG59/U or better
- Passive operation - no external power required
- Built-in surge protection
- Fast and easy to install
- Bidirectional – can operate as transmitter and receiver
- Sold as a set



### Model Number

**NE-SE01-020Q**  
Up to 650ft (200m)

### Specifications

Type	Passive Ethernet Extender over Coax
Input connector	RJ45
Output connector	BNC
Ethernet speed	10/100 Mbps
Standard	IEEE802.3 10Base-T
Operating temperature	-4°~158° F (-20°~70° C)

## 4-in-1 HD Ground Loop Isolator

### VG-1C12YQ

- TVI / CVI / AHD / Analog compatible
- Built-in surge protection
- BNC Terminals for easy installation
- Passive operation - no external power required
- Reduces ground loop interference
- Prevents video-signal distortion, picture tearing, cross talk, and other picture quality problems
- Housing dimensions: 1<sup>11/16</sup>"x1<sup>1/8</sup>"x1<sup>3/16</sup>" (43x28x21 mm)
- Weight: 2.0-oz (57g)



## 4-in-1 HD Video Surge Protector

### VS-1V12YQ

- Helps prevent damage to sensitive HD-TVI, HD-CVI, HD-AHD, and Analog CCTV cameras, DVRs, and switches
- Intercepts repeated surges and spikes that could damage HD-TVI, HD-CVI, HD-AHD, and Analog CCTV equipment
- Passive operation – no external power required
- Includes a 16" grounding wire for convenient connection to ground
- Dimensions: 3<sup>1/8</sup>"x1"x1" (79x25x25 mm)
- Weight: 2.3-oz (65g)



## Video Converter

### VC-2VAQ

VGA to BNC Converter

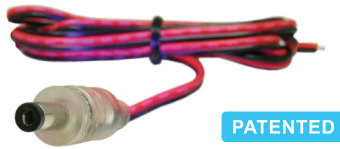


## CCTV Connectors

### Illuminated Power Connectors

#### CA-1610-3FLQ

- 2.1mm DC Plug with LED and 3' (0.9m) red/black wires, LED indicates power and polarity



PATENTED

### Illuminated Power Connectors

#### CA-1510-3FLQ

- 2.1mm DC jack with LED and 3' (0.9m) red/black wires, LED indicates power and polarity



PATENTED

### DC Connectors

#### EVA-F5521-3Q

- 2.1mm DC Plug pigtail connector with 3' (0.9m) red/black wire



### DC Connectors

#### EVA-M5521-3Q

- 2.1mm DC Jack pigtail connector with 3' (0.9m) red/black wire



### DC Connectors

#### CA-161T

- 2.1mm DC Plug-to-terminal block



### DC Connectors

#### CA-151T

- 2.1mm DC Jack-to-terminal block



### DC Connectors

#### CA-161P

- 2.1mm DC Plug-to-terminal block (screwless)



### 4-in-1 HD Passive Video Balun

#### EB-P101-01HQ

- Standard balun
- Sold in pairs



HD

4K

### 4-in-1 HD Balun w/ Pass-Through

#### EB-P501-02HQ

- Patented ergonomic design includes built-in terminals for power or data pass-through



PATENTED

HD

4K

### 4-in-1 HD Passive Video Balun

#### EB-P101-20HQ

- Balun with 6" pig-tail
- Sold in pairs



HD

4K

### 4-in-1 HD Video Power Balun

#### EB-P101-20PHQ

- Transmits video and power over Cat5e/6
- Pigtails for flexible installation
- Sold in pairs



HD

## Gigabit PoE+ Switches



NS-504UT-GAQ



NS-508UT-GAQ



NS-516UT-GAQ

### Model Numbers

PoE+

COMPLIANT  
NDAA

**NS-504UT-GAQ**  
*Unmanaged gigabit PoE+ switch, 4-Port*

**NS-508UT-GAQ**  
*Unmanaged gigabit PoE+ switch, 8-Port*

**NS-516UT-GAQ**  
*Unmanaged gigabit PoE+ switch, 16-Port*

### Features

- Provides both Ethernet data and power to multiple PoE devices
- Specially designed for video transmission with fast packet forwarding capability for clear images and smooth transmission
- Conforms to IEEE 802.3, IEEE 802.3u, IEEE 802.3af, IEEE 802.3at (NS 508UT GAQ also conforms to IEEE802.3ab)
- IEEE 802.3x Flow control

## PoE+ Switch (10/100Mbps)

\* Distance depends on Ethernet cables used. Cat5e/6 recommended.

† 656ft (200m) at 1Mbps with VLAN switch ON



### Model Numbers

PoE+

COMPLIANT  
NDAA

**NS-104UT-MAQ**  
*Unmanaged PoE+ switch, 4-Port*

### Specifications

Operating voltage	48~57 VDC	
Power consumption	<5W	
Ports	4 Downlink, 2 uplink	
Transmission distance*	328ft (100m) †	
PoE capacity	55W	
Switching capacity	1.2Gbps	
Transfer rate	10Mbps	14,880pps
	100Mbps	148,800pps
Dimensions	4" x 7 7/8" x 2 15/16" (102x22x75mm)	

### Features

- Provides both Ethernet data and power to multiple PoE devices including IP cameras, IP access, IP speakers/intercoms, VOIP, etc.
- Easy plug-and-play installation
- Supports up to 10/100BASE-T
- Specially designed for video transmission with fast packet forwarding capability for clear images and smooth transmission
- Conforms to IEEE 802.3, IEEE 802.3u, IEEE 802.3af, IEEE 802.3at, IEEE 802.3x
- IEEE 802.3x flow control

## PoE+ Extenders



NR-P101E-TQ



NR-P102E-TQ



NR-P401E-TQ



### Model Numbers

#### NR-P101E-TQ

Gigabit PoE+ extender, outdoor, 1-input to 1-output

#### NR-P102E-TQ

Indoor passive gigabit PoE+ extender

#### NR-P401E-TQ

Gigabit PoE+ extender, 1-input to 4-output

NEW

### Features

- Extends the range of PoE devices an additional 328ft (100m) with Cat5e cables or higher
- Maximum extended range of up to 984ft (300m) using two extenders
- Connects 10,100,1000BaseT PoE devices including IP cameras, IP access control, VOIP, IP speakers/intercoms, etc.
- Supports up to gigabit transmission rates
- Passive operation – no external power required and easy plug-and-play installation
- Automatically detects PoE equipment and protects from damage due to faulty installation
- Surge protection for both data and power ports

#### NR-P101E-TQ:

- IP66 Weatherproof with weather-resistant UTP cable

#### NR-P401E-TQ:

- 4 Output ports for up to 4 PoE devices

## 30W PoE+ Injector



### Model Number

#### NJ-A301U-T6AQ

30W PoE+ Injector

### Specifications

Operating voltage	100~240 VAC	
Connections	Data In	1x Shielded RJ45
	PoE Out	1x Shielded RJ45
PoE Power output	Up to 52VDC, 30W	
Power link	Pin 1/2 (-), 3/6 (+) up to 30W	
Ethernet speed	10/100/1000 Mbps	
LED Indicator	Green - power in, red - power out	
Operating humidity	90% (Maximum, non-condensing)	
Dimensions	4 <sup>3</sup> / <sub>4</sub> "x2"x1 <sup>7</sup> / <sub>16</sub> " (121x50x36 mm)	

NEW

### Features

- Supports up to 30W on 2-pairs
- LED indicates power supply input and PoE output
- Internal AC/DC converter
- Easy Plug-and-Play installation
- Connects 10,100,1000BaseT PoE devices
- Overcurrent, overload, overvoltage, and anti-interference protection
- Supports Cat5e network cables and higher
- Compliant with IEEE 802.3af/at standard



# EXPERIENCE THE CONVENIENCE



## SL Vision™



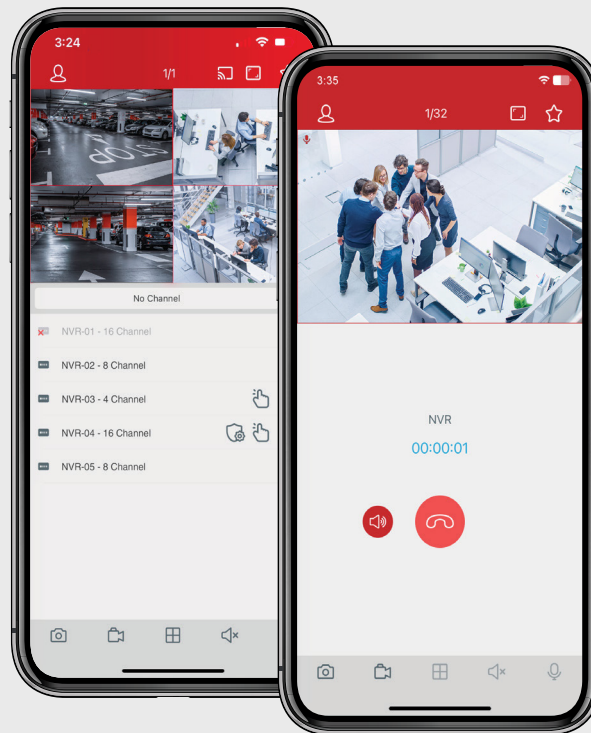
No Advertisements | No Subscriptions

**Live View**  
Anytime, anywhere

**Playback**  
Review, rewind

**Favorites**  
Personalized feeds,  
one-click away

**Capture**  
Instantly save and share



**2-Way Audio**  
Dynamic communication

**Manual Trigger**  
Alarm control, security at  
your fingertips

**Notifications**  
Real-time alerts

**Remote Configuration**  
Simplified setup,  
effortless customization

EASILY CONNECT TO  
**ENFORCER®** CCTV CAMERAS & NVRs

Scan to  
Download



(800) 662-0800 (949) 261-7326 sales@seco-larm.com www.seco-larm.com 16842 Millikan Ave. Irvine, CA 92606

SECO-LARM® ENFORCER® CRIMEBUSTER® CBA® SLI®

**SECO-LARM®**  
Manufacturer of **ENFORCER®**

# ENFORCER®

SECO-LARM®

54  
SECO-LARM®  
ENFORCER

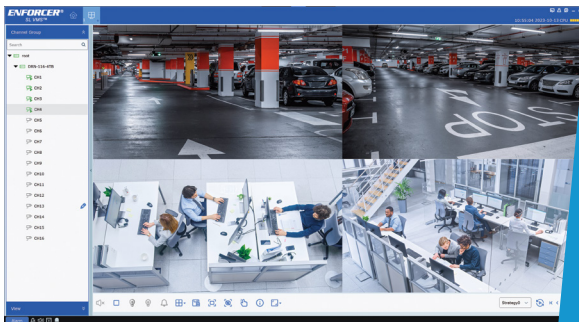
Visit [www.seco-larm.com](http://www.seco-larm.com) for complete product information.  
Call SECO-LARM for more details (800) 662-0800

SL VMS™

## One Portal to Monitor and Manage Your CCTV System



Experience the cutting-edge capabilities of AI-powered CCTV systems with our innovative SL VMS system management portal. Discover how AI revolutionizes video surveillance, enabling intelligent analytics, proactive threat detection, and enhanced security. See for yourself some of the things it can do for you.



### Live View

- Real-Time Monitoring: Instantly view live camera feeds
- Multi-Camera Display: Up to 128 channels
- Custom Views: Arrange camera feeds for optimal visibility
- Remote Access: Monitor from anywhere

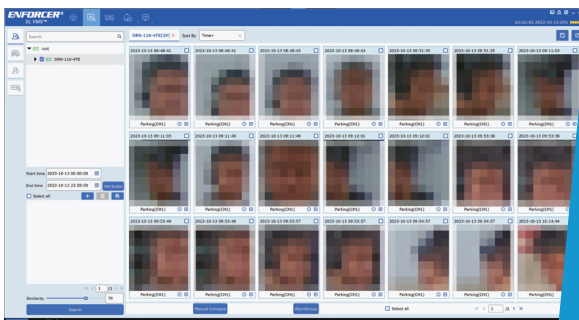
### Remote Playback

- Flexible Access: Playback video from any location
- Time-Saving: Quickly search footage by date/time
- Synchronized Playback: View channels in sync
- Enhanced Security: Encrypt downloaded footage



### AI Search

- Facial Recognition
- License Plate recognition
- Human & Vehicle detection
- Various other filtered searches



# ENFORCER®

SECO-LARM®

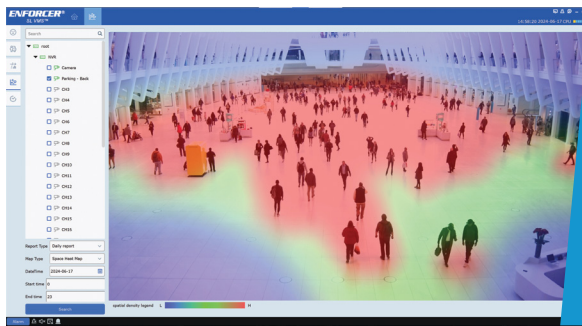
54  
SECO-LARM®  
ENFORCER

Visit [www.seco-larm.com](http://www.seco-larm.com) for complete product information.  
Call SECO-LARM for more details (800) 662-0800

SL VMS™



- Fast playback
- Multiple search filters
- User account access limits
- Easy P2P connection
- AI features

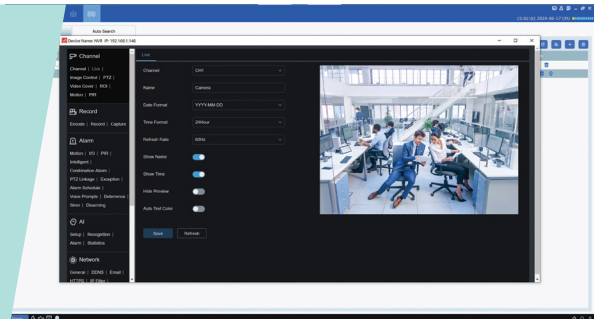


## Data Analysis

- View statistics for multiple AI functions
- Filter the data by date and time
- Export data to Excel file

## Remote Configuration

- Efficient Setup: Configure cameras remotely
- Centralized Control: Adjust settings for multiple cameras from one location
- Quick Access: Control device interfaces remotely



## Log Search

- Flexible Scope: Access data across devices/resources
- Time/Range Selection: Search based on time intervals
- User-Friendly: Intuitive interface for easy management
- Data Exploration: Sort, filter, visualize results



Available for both Mac and Windows devices

Download from the product page at [www.seco-larm.com](http://www.seco-larm.com)



(800) 662-0800



(949) 261-7326



[sales@seco-larm.com](mailto:sales@seco-larm.com)



[www.seco-larm.com](http://www.seco-larm.com)



16842 Millikan Ave. Irvine, CA 92606

SECO-LARM®

ENFORCER®

CRIMEBUSTER®

CBA®

SLI®

ENFORCER

# ENFORCER®

54  
SECO-LARM®  
ENFORCER®

**SECO-LARM®**

Visit [www.seco-larm.com](http://www.seco-larm.com) for complete product information.  
Call SECO-LARM for more details (800) 662-0800

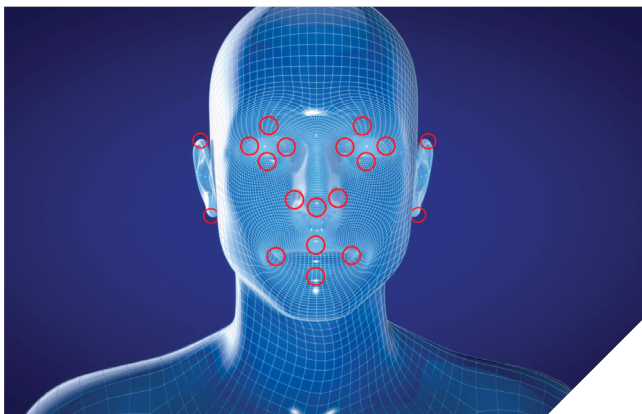


AI  
Solutions

## Artificial Intelligence

### Enforced Security Defenses

Welcome to the future of surveillance with our AI-powered CCTV systems. They analyze real-time footage, recognize patterns, and offer top-notch security while reducing operator workload and boosting accuracy. Experience a safer, smarter, and more secure world with our AI-CCTV systems where security is not just monitored but ensured.



### Facial Recognition

Swiftly and accurately identifies individuals, allowing you to save, group, and edit profiles with personal data. Create Allow lists, Block lists, and groups. Monitor and record entry / exit, trigger alarms based on profiles, and perform intelligent searches.

### License Plate Recognition

Read vehicle license plates using Optical Character Recognition (OCR), save and organize photos with their numbers, and add data. Create Allow lists, Block lists, and groups. Monitor and record entry / exit, trigger alarms by profile, and perform intelligent searches.



# ENFORCER®

54  
SECO-LARM®  
ENFORCER

SECO-LARM®

Visit [www.seco-larm.com](http://www.seco-larm.com) for complete product information.  
Call SECO-LARM for more details (800) 662-0800



AI  
Solutions



## Human & Vehicle Detection

Accurately determines whether a moving or stationary object is human or vehicle for accurate motion-activated recordings, reducing the chance of false alerts.

## Line Crossing

An alarm triggers if an object crosses a predefined line in the set direction or either direction. You can limit triggers to people, vehicles, or motorcycles / bicycles.



## Cross Counting

Measure total traffic across a virtual line in one or both directions. Or monitor real-time occupancy using in / out data, with optional alerts for predefined limits. Combine data from multiple cameras for multiple entrances.

# ENFORCER®

54  
SECO-LARM®  
ENFORCER®

SECO-LARM®

Visit [www.seco-larm.com](http://www.seco-larm.com) for complete product information.  
Call SECO-LARM for more details (800) 662-0800



AI  
Solutions



## Stationary Object Detection

Monitors when an object that should remain stationary is moved or missing, when an object remains stationary for an extended period and may have been abandoned, or both.

## Crowd Density

Monitor the number of faces in a predetermined area for real-time notification when the crowd size reaches a certain threshold.

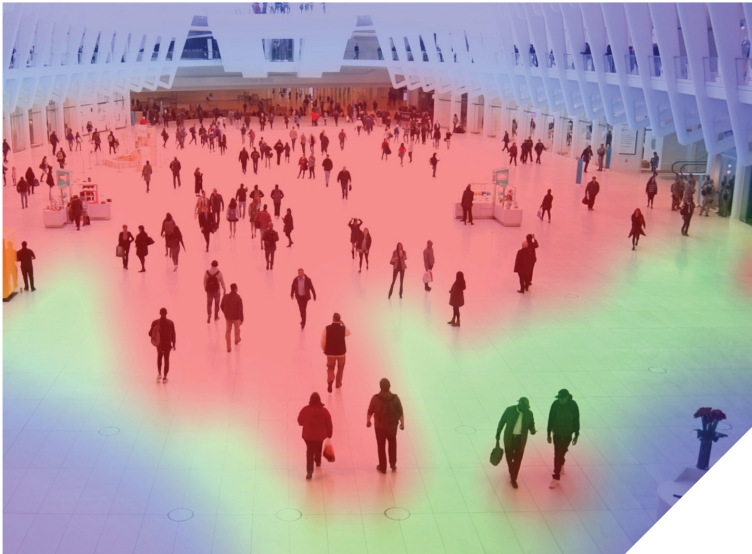


## Queue Length

Monitor people waiting in a line and receive a notification when either the number of people or average wait time reaches its specified limit.



## AI Solutions



### Heat Map

A visual heat map overlay of an area shows where people congregate and spend the most time during a date and time range.

### Sound Detection

Receive notifications of sudden changes in sound intensity at a given time, either a sudden increase which might indicate a break-in or major altercation, or a sudden silence.



# 2024 CCTV Condensed Catalog

## CCTV and Accessories



Manufacturers of reliable security systems and accessories since 1971.



Many other products and accessories, including connectors, converters, surge protectors, and more are also available. For a complete listing, visit [www.seco-larm.com](http://www.seco-larm.com) and consult our full catalog.

[www.seco-larm.com](http://www.seco-larm.com)



SECO-LARM's Security Systems and Accessories are protected by the following patents

**U.S.** pat. nos. 11246035, 9309702, 9115516, 8120656, 7800644, 7699657, 7164357, 7075410, 6903675, 6188941, 6121891, 6109110, 5760680, 5751072, 5739749, 5648754, 5483225, 5473305, 5298879, 5216407, 5084697, 4980666, 4975678, 4926160, 4835518, 4810998, 4761631, 4706064, 4700332, 4679033, 4550229, 4546629, 4543568, 4507945, D508605, D485774, D479708, D350494, D319196, D314791

**Taiwan** pat. nos. 158210, 148039, 133076, 118811, 116977, 105843, 100701, 94510, 89463, 86123, 84396, 76872, 75669, 66042, 61565, 59176, 56767, 52421, 50612, 46459, 43239, 42946, 40938, 40244, 39225, 37977, 37422, 35025, 33687, 33261, 33201, 32844, 32435, 32409, 31633, 30905, 30897, 30432, 30060, 28883, 28112, 26690, 24477, 23474, 22073, 21111, 20786, 20380, 19593, 18971, 17724, 16672, 16021, 15469, 14658, 12398, 11699, 9191, 3724, D164774, D111296, M589871, M475499, M335856, M328028, M319465, M319303, M257006, I699990

**U.K.** pat. nos. 2279792, 2271009, 2215895, 2179482, 2177797, 2177529, 2141480, 2036522, 1041888

**German** pat. nos. 29600370.0, G9212809.2, G9203004.1, G9203003.3

**Hungary** pat. no. 85927

**Sweden** pat. no. 9202706.9

**Japan** pat. no. 1882619

**Korea** pat. nos. 35097, 32332

**China** pat. nos. ZL202010264071.8, ZL201910439768.1, ZL201430057105.1, ZL200720126532.5, ZL2006200113040.8, ZL97312768.6, ZL96249150.0, ZL95201587.0, ZL94300564.7, ZL03311103.0, ZL02305808.0

Other international patents are pending

## ISO 9001 Quality You Can Count On!

Anyone can talk about quality. But can they make sure the products you source offer consistent quality, order after order?

SECO-LARM's quality control management system is compliant with all the requirements of ISO 9001, the accepted measure of quality worldwide

ISO 9001 is not another quality control theory. SECO-LARM's entire manufacturing process was probed in great detail by an independent quality system certification body, and was found compliant with internationally accepted quality standards.

A quality management system certified as ISO 9001 compliant ensures that SECO-LARM can deliver products that meet your quality requirements time and time again.

ISO 9001. World-class quality management from a world-class security manufacturer.