

Bluetooth® Post-Mount Proximity Reader

PR-B9124-P1 Easy Access Hinged Faceplate



Advanced technology for difficult environments. Integrated Bluetooth® wireless technology in a rugged, post-mount enclosure with unique hinged faceplate for easy access to the terminals. PCB is coated with an advanced waterproofing solution for increased protection from dust, humidity, chemicals, and corrosion. No codes to remember with an intuitive app designed for easy, visual programming as well as convenience and security. All data is secured on the device without the risks inherent in an internet connection.



Features

- **No Codes to Remember** – Intuitive, visual app-based programming and management, 1,000 users, device options, etc.
- **More Than Access** – Can control doors, gates, lighting, machinery, etc.
- **No Internet Exposure** – All data secured locally on device
- **Multiple User Types** – Permanent, scheduled, temporary, # of times
- **Output Modes** – Timed relock, continually unlocked or locked, toggle
- **User Customization** – Individually customizable output mode and time
- **Hold Open** – Hold door open with code or app (customizable)
- **Secure, Integrated Bluetooth** – Passcode protected, AES 128 encryption
- **Unlimited Devices** – Access/manage unlimited devices with one app
- **Easy Backup/Restore** – For off-device storage / restoration / replication
- **Wrong-Code Lockout and Tamper Alarm Output** – Customizable
- **Multilingual App Interface** – Currently supports English, Spanish, Portuguese, French, German, Russian, Vietnamese, and Chinese (Traditional or Simplified)

App-Based Setup

No Internet Exposure

1,000 Users

Audit Trail

SL Access™ App



App-Based Management and Control

<p>On-Device Security AES 128 Encryption Settings, passcodes kept on device, set by the Administrator</p>	<p>Administrator Settings Set all device parameters, manage users, view audit trail, backup/restore</p>	<p>User Management Add, view, import/export, customize individual settings, scheduling, output settings</p>	<p>Audit Trail View most recent 1,000 events, searchable by user and type, and download for archive</p>	<p>Unlock with App Users can unlock the door with the app, as well as with the proximity card</p>

SECO-LARM® U.S.A., Inc.

16842 Millikan Avenue, Irvine, CA 92606

Phone: (949) 261-2999 | (800) 662-0800 Fax: (949) 261-7326

Website: www.seco-larm.com Email: sales@seco-larm.com



Copyright © 2025 SECO-LARM U.S.A., Inc. All rights reserved.

All trademarks are the property of SECO-LARM U.S.A., Inc. or their respective owners. The SECO-LARM policy is one of continual development. For that reason, SECO-LARM reserves the right to change prices and specifications without notice. SECO-LARM is not responsible for misprints.

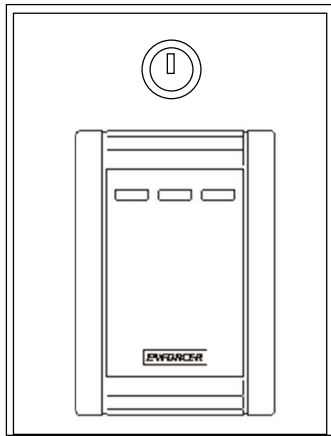
SECO-LARM® ENFORCER® CRIMEBUSTER® CBA® SLI®

Specifications

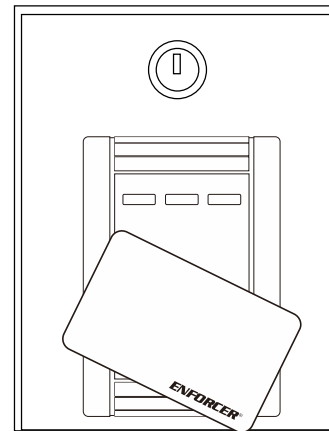
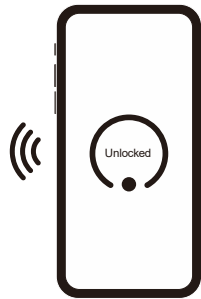
Access modes	App / proximity card	
Users	1,000 users / 1 administrator	
Operating voltage	9~25 VDC	
Current draw	Standby	55mA@12VDC, 30mA@24VDC
	Active (max.)	100mA@12VDC, 55mA@24VDC
Outputs	Form C	2.5A@24VDC
	Tamper alarm	100mA@30VDC (solid state N.C.)
Output modes	Timed relock (1~1,800s), continually locked, continually unlocked, toggle	
Inputs	Egress	N.O. Ground
	Door sensor	N.C. Ground

Electrical protection	Short circuit, electrostatic discharge, reverse polarity, relay contact protection	
Bluetooth version	Bluetooth Low Energy (BLE) 4.2	
Proximity frequency	EM 125kHz	
IP Rating	IP65 Weatherproof	
Operating temperature	-4°~122° F (-20°~50° C)	
	Housing	1/16" (1.2mm) Steel, powder paint
Material	Faceplate	Stainless steel
	Reader	ABS Plastic
Dimensions	5"x6 ¹¹ / ₁₆ "x3 ¹¹ / ₁₆ " (128x170x94 mm)	
Weight	2-lb 7-oz (1.1kg)	

Two Ways to Unlock or Trigger a Device

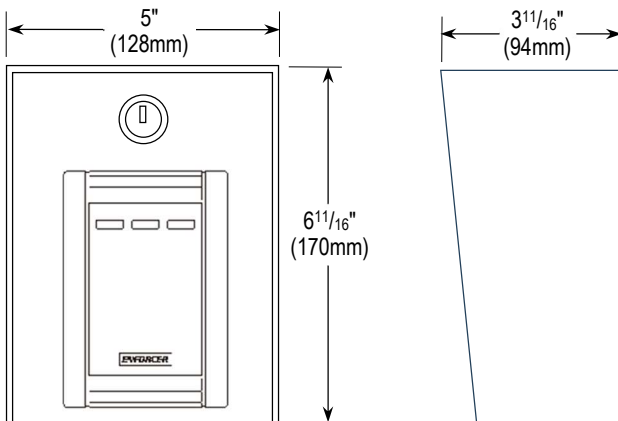


Unlock with the SL Access app



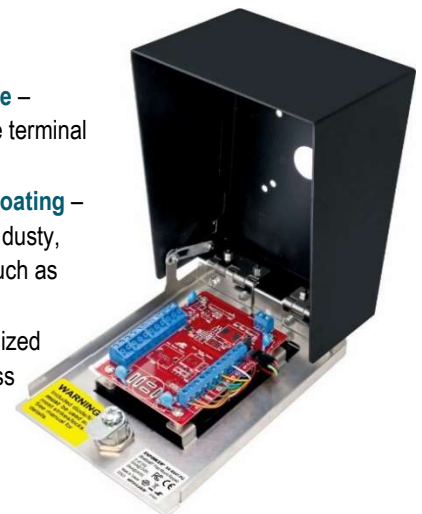
Unlock with a proximity card

Dimensions



Durability and Ease of Access

- **Unique Hinged Faceplate** – allows quick access to the terminal block for easy wiring
- **Advanced Waterproof Coating** – protects PCB from damp, dusty, corrosive environments such as near the ocean
- **Durable Housing** – Anodized steel housing with stainless steel faceplate



The Bluetooth® word mark and logos are registered trademarks owned by Bluetooth SIG, Inc. and any use of such marks by SECO-LARM is under license. Other trademarks and trade names are those of their respective owners.