

ENFORCER®

Outdoor Stand-Alone Weatherproof Keypads

Installation Manual



SK-1323-SPQ shown



SK-2323-SDQ shown



Model	Type	Proximity	Color
SK-1323-BDQ	Standard	No	Black
SK-1323-BPQ	Standard	Yes	Black
SK-1323-SDQ	Standard	No	Aluminum

Model	Type	Proximity	Color
SK-1323-SPQ	Standard	Yes	Aluminum
SK-2323-SDQ	Mullion	No	Aluminum
SK-2323-SPQ	Mullion	Yes	Aluminum

Designed for demanding commercial environments, these epoxy-sealed, outdoor keypads provide secure and flexible access control in a compact, weatherproof design with intuitive programming, multi-user support, and seamless integration, 2 outputs, and now two models in a black housing.

- 12~24 VAC/VDC operation
- 1,010 User codes
- 2 Form C relays, each rated 1A@30VDC, programmable from 1~99 seconds timed or toggle
- Output #2 can be programmed for use with a doorbell
- 2 Egress inputs for exiting the premises without keying in the code
- Backlit keys for easy nighttime use
- Door sensor input for anti-tailgating operation
- All features are programmed directly from the keypad – no need for an external programmer
- EEPROM memory protects programmed information in case of power loss
- Optical tamper for added security
- IP65 weatherproof - circuitry fully sealed with epoxy in rugged aluminum housing
- Built-in proximity card reader (some models)

Table of Contents

Specifications2

Parts List3

Overview3

LED & Audible Indicators3

Optical Tamper4

Important Notes4

Wiring Diagram4

Installation5

Sample Wiring and Applications6

Connection to Lock Device and Alarm System

Arm/Disarm Control 6

Connecting to a Doorbell6

Door Sensing7

Shunting an Alarm N.C. Zone7

Door-Hold-Open Code7

User Control Chart8

Programming Instructions10

Programming Tips10

First Time Keypad Use10

Programming Output 111

Programming Output 212

Deleting or Changing Users and Cards12

Deleting or Changing the Master Card* 12

Deleting or Changing an Output 1 User 13

Deleting or Changing an Output 2 User 13

Additional Programming13

Programming the Output 1 Timer 13

Programming the Output 2 Timer 13

Programming the Output 2 Function 13

Programming the Optical Tamper 13

Resetting the Keypad14

Deleting all users 14

Restore Factory Settings 14

Manually Resetting the Master Code14

Factory Defaults14

Using the Keypad15

Entering a User Code 15

Using a User Card 15

Using a User Card AND a User Code 15

Wrong Code Lockout 15

Troubleshooting15

Accessories15

Quick Reference Guide16

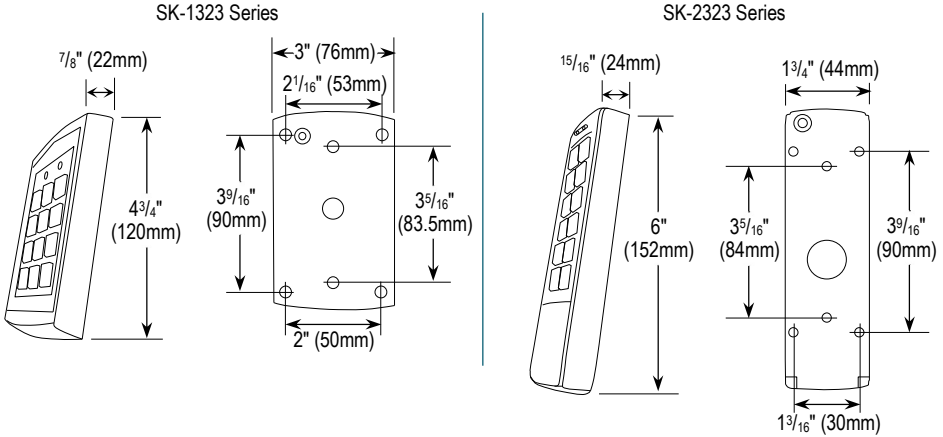
Specifications

Model	SK-1323-BDQ	SK-1323-BPQ	SK-1323-SDQ	SK-1323-SPQ	SK-2323-SDQ	SK-2323-SPQ
Operating voltage	12~24 VAC/VDC					
Standby	64mA@12VDC					
Current draw	1 Relay active	92mA@12VDC				
	2 Relays active	120mA@12VDC				
Relay Outputs	Output 1	1A@30VDC, Form C, NO/NC/COM				
	Output 2	1A@30VDC, Form C, NO/NC/COM				
Inputs	Egress 1	N.O. Ground				
	Egress 2	N.O. Ground				
	Door Sensor	N.C. Ground				
Tamper sensor	Optical					
Keypad backlight	LED					
Keypad backlight life	60,000 hours (over 6.8 years)					
Proximity reader	Frequency	N/A	125kHz	N/A	125kHz	N/A
	Distance	N/A	2" (5cm)	N/A	2" (5cm)	N/A
Connectors	Color-coded wires					
IP Rating	IP 65 Weatherproof (epoxy-sealed components)					
Operating temperature	-4°~122° F (-20°~50° C)					
Housing	Color	Black		Brushed aluminum		
	Material	Aluminum alloy				
Dimensions	3"x4 ³ / ₄ "x7 ¹ / ₈ " (76x120x22 mm)				1 ³ / ₄ "x6"x1 ⁵ / ₁₆ " (44x152x24 mm)	
Weight	1-lb 2-oz (510g)				11-oz (312g)	

Parts List

- 1x Keypad 4x Mounting screws 1x Security screw 1x Mounting template 2x Diodes
 1x Manual 4x Screw anchors 1x Star wrench 2x Metal oxide varistors (MOV)

Overview



LED & Audible Indicators

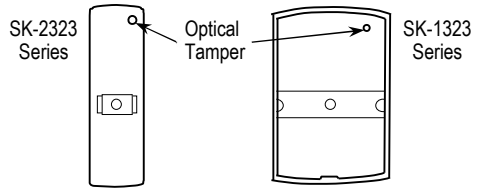
Left LED	Right LED	Keypad Status
OFF	Green	Power ON
OFF	Orange	Programming mode
Green	Orange flashing	Waiting to program code/card* (card+code access mode)
Red	Orange flashing	Code/card* already present
Green	Green	Relay 1 activated
Red	Green	Relay 2 activated
Orange	Green	Relays 1 and 2 both activated
Orange	Orange	Restoring factory defaults
Green flashing	Green	Waiting for code/card entry* (card+code access mode)
OFF	OFF	Power OFF / Clearing user codes

*Card operation with SK-1323-BPQ, SK-1323-SPQ, and SK-2323-SPQ only

Audible Tones	Keypad Status
1 Long tone	Confirmation
1 Short tone	Key press
2 Short tones	Invalid entry
3 Short tones	User code/card denied
Constant short tones	Alarm triggered
6 Short + 1 long tone	All user codes deleted
No tone when key if pressed	Wrong code lockout

Optical Tamper

There is an optical tamper on the rear of each unit. If the sensor detects light, the tamper alarm will sound. For information on how to program the optical tamper, please see pg. 13, *Programming the Optical Tamper*.



Important Notes

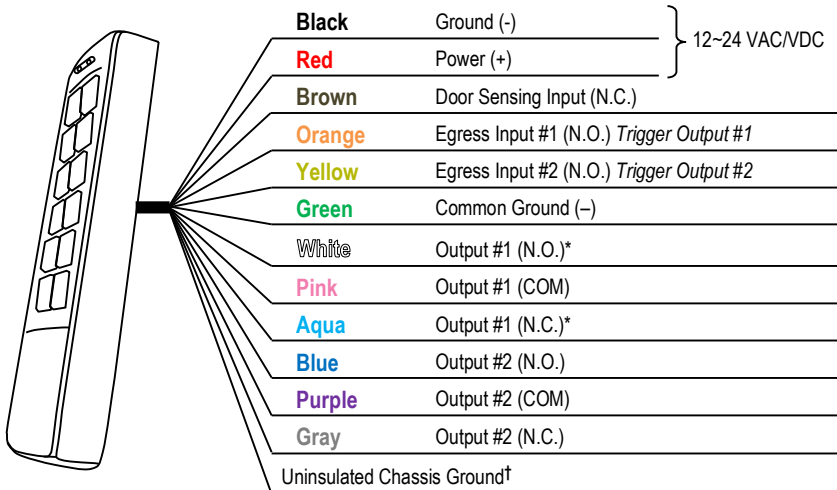


IF USING THE KEYPAD WITH A MECHANICALLY OPERATED DOOR OR GATE, MOUNT THE KEYPAD AT LEAST 5' (15m) FROM THE DOOR OR GATE TO PREVENT USERS FROM BEING CRUSHED OR PINNED. FAILURE TO DO SO MAY RESULT IN SERIOUS INJURY OR DEATH.



- Always disconnect power before servicing the keypad.
- The keypad must be properly grounded. Use a minimum 22AWG wire connected to the uninsulated chassis ground wire. Failure to do so may damage the keypad.
- All wiring and programming should be done by a professional installer to reduce the risk of improper installation.
- Basic keypad functions are located on pg. 16. Store this manual in a safe place for future reference.
- If using VAC, use the green common ground wire for all sensor input.

Wiring Diagram

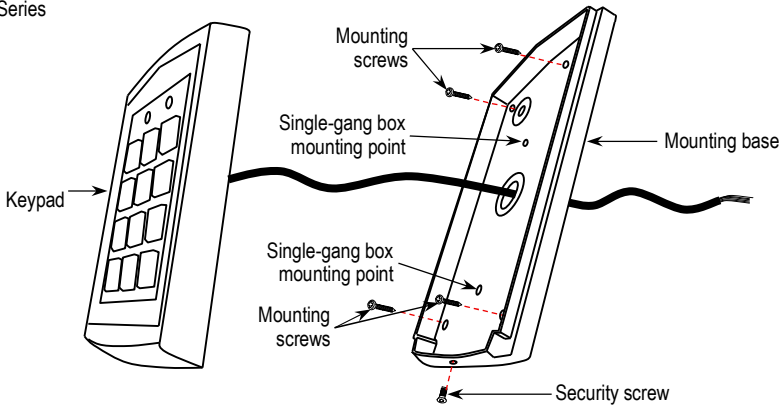


***Important:** See pg. 6 for instructions on using the included diode/varistor.

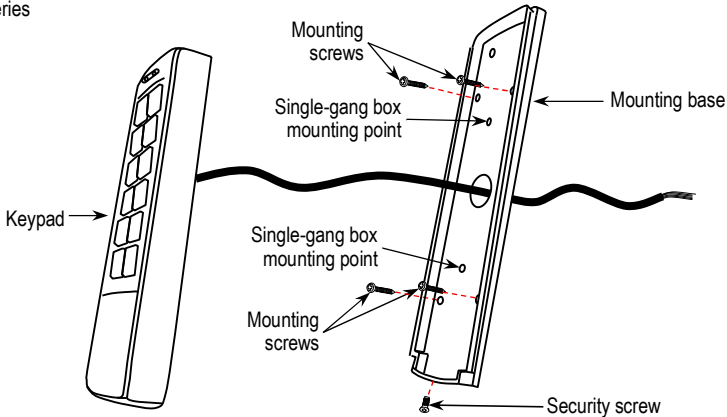
†**Chassis Ground:** Connect a continuous wire from the uninsulated chassis ground wire to a grounding point to avoid damage from static discharge. A good grounding point could include a grounded metal conduit, cold-water pipe, or grounding rod. Use 18AWG wire for earth ground for best results, but must be at least 22AWG.

Installation

SK-1323 Series



SK-2323 Series

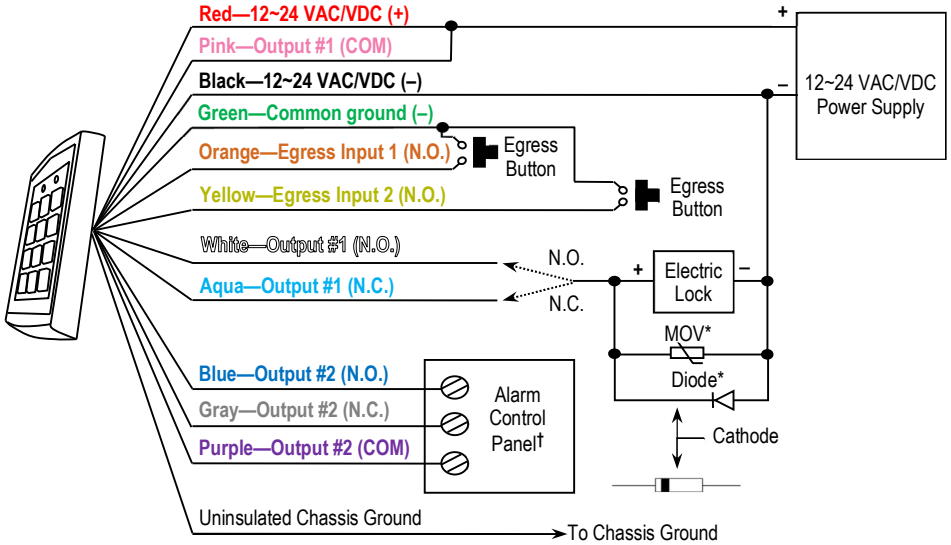


1. Find a suitable location to mount the keypad. Do not install where it will be too high or too low for most users to operate the keypad.
2. Using the included star wrench, unscrew the security screw located on the bottom of the keypad's mounting base.
3. Carefully remove the keypad from the mounting base.
4. Drill holes in the 4 designated mounting points located on the mounting base. If needed, use the included mounting template.
5. Using the 4 included mounting screws, secure the mounting base to a wall or other mounting surface. If mounting to brick or drywall, it may be necessary to use the included screw anchors.
6. If the installation is using surface wiring, mount the keypad to a single-gang box using the 2 single-gang box mounting points.
7. Connect the wires that will be used to operate the keypad according to the wiring diagram on the following pages, checking carefully whether a diode or MOV is needed for your installation.
8. Reattach the keypad to the mounting base.
9. Use the included star wrench to tighten the security screw and secure the keypad to the base.

Sample Wiring and Applications

All sample wiring and applications show the SK-1323 series but also apply to the SK-2323 series.

Connection to Lock Device and Alarm System Arm/Disarm Control




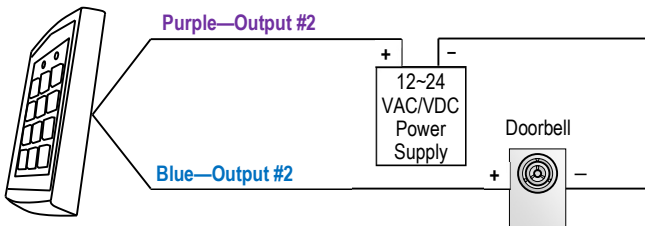
NOTE: Sample applications are based on VDC power supplies.

*To protect the relay, you must install the enclosed diode—with the cathode (striped end) toward the positive side—for DC powered locks **OR** install the varistor (MOV) for AC powered locks and for electromagnetic locks **unless** your lock has a diode/MOV built in (all SECO-LARM electromagnetic locks have built-in protection). A second diode and MOV is included for output 2 in case it may also be connected to a second lock. Failure to use these as directed will void the warranty.

†Output 2 controls the arm/disarm of the alarm control panel. Consult the alarm control panel manual for more information.

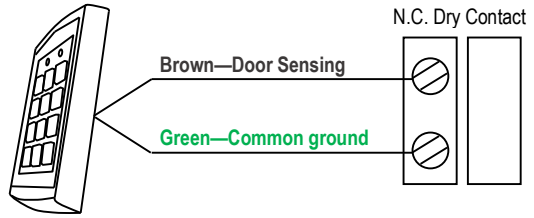
Connecting to a Doorbell

If the keypad is connected to a doorbell, press  to activate the doorbell. The doorbell output lasts 1 second. For instructions on programming the keypad for a doorbell, see pg. 13, *Programming the Output 2 Function*.

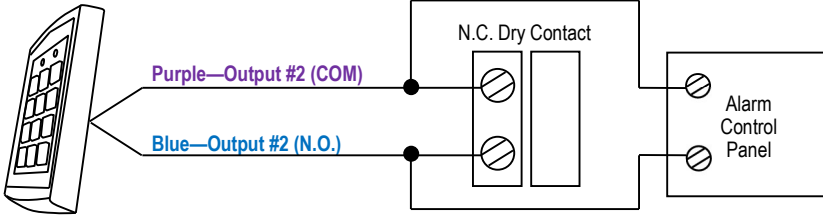


Door Sensing

The door sensing input is used for anti-tailgating. When used with an N.C. magnetic contact the relay will de-energize one second after the door has been closed. This will bypass any existing relay timing.



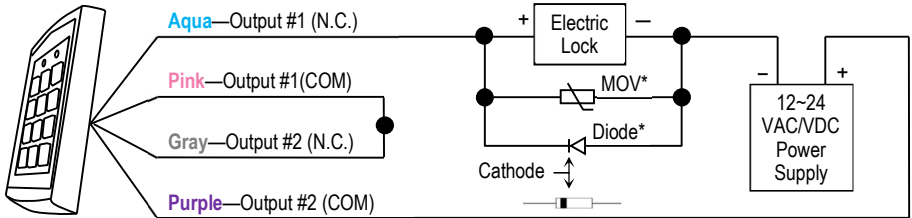
Shunting an Alarm N.C. Zone



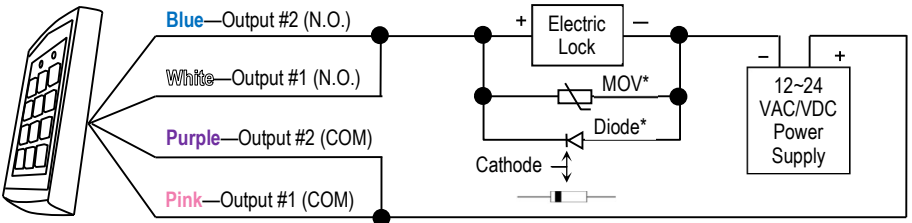
Door-Hold-Open Code

Output 1 and Output 2 can be wired together in such a way that electric lock devices remain unlocked as long as Output 2 is activated.

For N.C. Locking Devices



For N.O. Locking Devices



*Connect the included diode—with the cathode (striped end) toward the positive side—for DC powered locks **OR** the metal oxide varistor (MOV) for AC powered locks and for electromagnetic locks **unless** your lock has a diode/MOV built in (all SECO-LARM electromagnetic locks have built-in protection). Failure to use these as directed will void the warranty. See pg. 6 for details.

Programming Instructions

1. Codes are programmed to be 2-6 digits in length. All codes must be the same length.
2. Before any of the following, enter Programming Mode by entering the Master Code twice (default – 1234).
To enter Programming Mode the first time, enter
3. To exit Programming Mode, press the key.
4. The keypad will automatically exit Programming Mode if no keys are pressed for 30 seconds.

Programming Tips

- Program a new Master Code immediately.
- Take note of the keypad status LED—
 - **Right LED Solid Green:** Standby Mode
 - **Right LED Solid Orange:** Programming Mode
 - **Left LED Solid Green / Right LED Flashing Orange:** Awaiting code/card* entry
- If you are unsure of which mode the keypad is in, press until the right LED is green. The keypad is now in Standby Mode. Enter the master code twice to return to Programming Mode.

First Time Keypad Use

Take these steps when programming the keypad for the first time.

A. Enter Programming Mode

Enter: (i.e. the default Master Code)

B. Program Code Length

NOTE: To keep the default 4-digit code length, skip to step C. *Program the Master Code.*

WARNING: After a new code length is programmed, **all user codes will be deleted**, and the master code will be reset.

1. Enter Programming Mode by entering the Master Code twice. (Default Master Code is 1234).
2. Enter
3. Enter the desired code length. This must be a number from 2-6.
4. Exit Programming Mode by pressing .

NOTE: The Master Code will reset depending on the programmed code length. These will be the new Master Codes after the code length is reset:

Code Length	New Master Code
2 digits	12
3 digits	123
4 digits	1234

Code Length	New Master Code
5 digits	12345
6 digits	123456

C. Program the Master Code

1. Enter Programming Mode by entering the Master Code twice. (Default Master Code is 1234).
2. Enter
3. Enter the new Master Code twice. The Master Code may not be the same as a user code.

EXAMPLE: If the desired new Master Code is 4321, enter:

4. Exit programming mode by pressing .

*Proximity cards and output 1 access mode are only applicable on the SK-1323-BPQ, SK-1323-SPQ, and SK-2323-SPQ.

First Time Keypad Use (Continued)

D. Program the Master Card*

In addition to a Master Code, a Master Card can also be programmed. Swiping a Master Card will give direct access to Programming Mode.

1. Enter Programming Mode by entering the Master Code twice. (Default Master Code is **1234**)
2. On the keypad, enter ***7**.
3. If the left LED is solid green and the right LED is flashing orange, a Master card is already programmed. Clear it by entering ******. The keypad will beep to confirm and the left LED will start flashing green.
4. Swipe a proximity card (PR-K1S1A or similar). This card is now the Master Card.
5. Exit Programming Mode by pressing **#**.

E. Setting the Output 1 Access Mode*

Default: User card OR User Code

1. Enter Programming Mode by entering the Master Code twice.
2. Enter ***0**
3. Enter one of the following:
 - 00** User Card ONLY
 - 01** Either user card OR user code (default)
 - 02** User card AND user code

NOTE: Deleting all users is recommended before changing the access mode to user card AND user code. See pg. 14, *Deleting All Users*.
4. Exit Programming Mode by pressing **#**

Programming Output 1

Each Output 1 user can be programmed to have a user code, a user card, or both user code and card.*

NOTE: For all the following programming functions, the keypad must be in Programming Mode.

A. Programming User Codes

1. Enter a user ID number. (**000** to **999**)
2. If the left LED is red, previous user data exists. Clear it by entering ******. The keypad will beep to confirm and the left LED will turn green.
3. Enter a new user code.
4. To program the next user, repeat from step 1 in this section or in sections B or C following.
5. Exit Programming Mode by pressing **#**.

B. Programming User Cards*

1. Enter a user ID number. (**000** to **999**)
2. If the left LED is red, previous user data exists. Clear it by entering ******. The keypad will beep to confirm and the left LED will turn green.
3. Swipe a new user card.
4. Return to Programming mode by pressing
5. To program the next user, repeat from step 1 in this section or sections A above or C following.
6. Exit Programming Mode by pressing **#** again.

*Proximity cards and output 1 access mode are only applicable on the SK-1323-BPQ, SK-1323-SPQ, and SK-2323-SPQ.

Programming Output 1 (Continued)

C. Programming Both User Codes AND Cards*

1. Enter a user ID number. (0 0 0 to 9 9 9)
 2. If the left LED is red, previous user data exists. Clear it by entering [* *]. The keypad will beep to confirm and the left LED will turn green.
 3. Swipe a new user card.
 4. Enter a new user code.
 5. To program the next user, repeat from step 1 in section this section or section B or C on previous page.
 6. Exit Programming Mode by pressing [#].
-

Programming Output 2

Each Output 2 user may only have a user code OR a user card* programmed.

NOTE: For all the following programming functions, the keypad must be in Programming Mode.

A. Programming an Output 2 User Code

1. Enter [* 4].
2. Enter a user ID number. (0 0 to 0 9)
3. If the left LED is red, previous user data exists. Clear it by entering [* *]. The keypad will beep to confirm and the left LED will turn green.
4. Enter a new user code.
5. To program the next user, repeat from step 2 in this section or section B below.
6. Return to Programming Mode by pressing #.
7. Exit Programming Mode by pressing [#] again.

B. Programming an Output 2 User Card*

1. Enter [* 4].
 2. Enter a user ID number (0 0 to 0 9).
 3. If the left LED is red, previous user data exists. Clear it by entering [* *]. The keypad will beep to confirm and the left LED will turn green.
 4. Swipe a new user card.
 5. To program the next user, repeat from step 2 in this section or section A above.
 6. Return to Programming Mode by pressing [#].
 7. Exit Programming Mode by pressing [#] again.
-

Deleting or Changing Users and Cards

Deleting or Changing the Master Card*

Step 1

Enter:

[* 7]

Step 2

Delete the existing Master Card by entering:

[* *]

Step 3

Swipe a new Master Card or

Exit Programming Mode by entering [#].

*Proximity cards and output 1 access mode are only applicable on the SK-1323-BPQ, SK-1323-SPQ, and SK-2323-SPQ.

Deleting or Changing Users and Cards (Continued)

Deleting or Changing an Output 1 User

Step 1

Enter a user ID number:

to

Step 2

Delete the existing user by entering:

Step 3

Swipe a new user card*

or

Enter a new user code

or

Return to Programming Mode by entering .

NOTES

- This option deletes Output 1 users one at a time.
- To delete all users, see pg.14, *Deleting All Users*.

Deleting or Changing an Output 2 User

Step 1

Enter:

Step 2

Enter a user ID number:

to

Step 3

Delete existing user

by entering:

Step 4

Swipe a new user card*

or

Enter a new user code

or

Return to Programming Mode by entering .

NOTES

- This option deletes Output 2 users one at a time.
- To delete all users, see pg.14, *Deleting All Users*.

Additional Programming

Programming the Output 1 Timer

Default: 1 Second

Step 1

Enter:

Step 2

For toggle mode, enter:

or

For timed output, enter:

to

NOTE: 01~99 is the activation duration in seconds.

Programming the Output 2 Timer

Default: 1 Second

Step 1

Enter

Step 2

For toggle mode, enter:

or

For timed output, enter:

to

NOTE: 01~99 is the activation duration in seconds.

Programming the Output 2 Function

Output 2 can be activated via or user codes. Use these steps to program its function (*default – user codes*)

Step 1

Enter:

Step 2

For user codes, enter:

or

For doorbell, enter:

NOTE: When Output 2 is programmed for doorbell, press to activate the doorbell. Doorbell output lasts for 1 second.

Programming the Optical Tamper

Default: OFF

Step 1

Enter:

Step 2

To turn optical tamper OFF,

enter:

or

To turn optical tamper ON, enter:

*Proximity cards are only applicable on the SK-1323-BPQ, SK-1323-SPQ, and SK-2323-SPQ.

Resetting the Keypad

NOTE: Resetting the keypad will cause some or all programmed data to be lost. Do not perform either of these steps unless it is absolutely necessary.

Deleting all users

Enter *** 8 8 8**

IMPORTANT: Once the key entry is made, all user codes and user cards* will be deleted, and the keypad will return to Programming Mode. The Master Code and all other programming settings will remain the same. To restore factory settings, see *Restore Factory Settings* below.

Restore Factory Settings

Enter *** 8 9 9**

IMPORTANT: Once key entry is made, keypad will return to factory default settings. No user information will be retained, and the Master Code will be 1234. For SK-1323-BPQ, SK-1323-SPQ, and SK-2323-SPQ, Output 1 Access Mode will be set to user codes or user cards.

Manually Resetting the Master Code

If the Master Code has been forgotten or does not work, the following steps can be taken to reset the Master Code:

1. Disconnect power from the keypad.
2. Hold down the **#** key.
3. While holding the **#** key, reconnect the power.
4. After 3 seconds, the keypad will beep to confirm a successful reset.

NOTES:

- Manually resetting the Master Code only resets the Master Code. It will not affect the Master Card*, User Code, or any other saved data. To delete the Master Card, see pg. 12, *Deleting or Changing the Master Card*.
- The Master Code will reset depending on the programmed code length. These will be the new Master Codes after the code length is reset:

Code Length	New Master Code
2 digits	12
3 digits	123
4 digits	1234

Code Length	New Master Code
5 digits	12345
6 digits	123456

Factory Defaults

Code Length	4 digits
Master Code	1234
Output 1 Access Mode*	User codes <u>OR</u> user cards
Output 1 User Codes	None
Output 2 User Codes	None
Output 1 Timer	1 second
Output 2 Timer	1 second
Output 2 Function	User codes
Tamper Alarm	OFF

*Proximity cards and output 1 access mode are only applicable on the SK-1323-BPQ, SK-1323-SPQ, and SK-2323-SPQ.

Using the Keypad

For programming instructions, see pg. 10, *Programming Instructions*.

Entering a User Code

- To activate either Output 1 or Output 2, enter the user code directly into the keypad.
- Do not enter the user ID number. The user ID number is only used during Programming Mode.

EXAMPLE: If a user code for Output 1 is 4321, enter to trigger Output 1.

Using a User Card

- To activate either Output 1 or Output 2 with a user card, hold the user card in front of the keypad. The keypad will beep once the user card has been read.*

Using a User Card AND a User Code

- If Output 1 is programmed to accept a user card with a user code, swipe the user card. Immediately enter the user code. This may also be done in reverse order.*

Wrong Code Lockout

- If a wrong code is entered or an invalid card* is swiped 5 consecutive times, the keypad will go into lockout for 1 minute. During this time, no codes can be entered, and no cards* can be swiped.
- Pushing buttons or swiping cards* during lockout will extend the lockout time.

Troubleshooting

The keypad will not accept user codes or user cards*	<ul style="list-style-type: none"> Make sure the Output 1 Access Mode is programmed to accept user codes. (See pg. 11, <i>Setting the Output 1 Access Mode</i>) If an incorrect card or code has been entered, Wrong Code Lockout may be activated. Wait 1 minute. (See <i>Wrong Code Lockout</i>, pg. 15)
The keypad will not program new user codes or cards*	<ul style="list-style-type: none"> Before inputting new code or card, check the left LED. If it is red, previous user data exists. Press <input type="text" value="*"/> <input type="text" value="*"/> to delete.
The keypad will not program a new Master Card*	<ul style="list-style-type: none"> Before inputting new code or card, check the left LED. If it is red, previous user data exists. Press <input type="text" value="*"/> <input type="text" value="*"/> to delete.
Programming option will not work	<ul style="list-style-type: none"> It is likely the keypad is not in the correct mode. Press <input type="text" value="#"/> until the LED turns Blue to put the keypad in Standby Mode. Enter Programming Mode and begin again.
Output 2 will not activate	<ul style="list-style-type: none"> Make sure that Output 2 is programmed for the correct function. (See <i>Programming the Output 2 Function</i>, pg. 13).
Egress input is not working	<ul style="list-style-type: none"> Ensure the egress device is wired correctly. (See <i>Wiring Diagram</i>, pg. 4)
Relay output will not stop	<ul style="list-style-type: none"> Make sure the output toggle mode is not set. (See <i>Programming the Output 1 Timer and Programming the Output 2 Timer</i>, pg. 13)

Accessories

PR-K1K1-AQ

Proximity Key Fobs

(sold in packs of 10)



PR-K1S1-A

Proximity Key Cards

(sold in packs of 10)



*Proximity cards and output 1 access mode are only applicable on the SK-1323-BPQ, SK-1323-SPQ, and SK-2323-SPQ.

Quick Reference Guide

NOTE: For complete programming instructions, please see pg. 10, *Programming Instructions*.

Operation Function	Action
Enter an Output 1 user code	Directly enter on the keypad
Enter an Output 2 user code	Directly enter on the keypad
Ring doorbell	Press [*] (if programmed)
Enter Programming Mode	Enter the master code twice
Exit Programming Mode	Press [#]
Reset or restore the keypad	Please see full instructions on pg. 13
Program the proximity reader	Please see full instructions on pgs. 11 and 12

The following functions are performed after entering Programming Mode.

Operation Function	Step 1	Step 2	Step 3
Change the master code	Enter [*] 3	Enter the new Master Code twice	
Program a new Output 1 user code	Enter a 3-digit user ID (000-999)	Enter a user code.	
Program a new Output 2 user code*	Enter [*] 4	Enter a 2-digit user ID (00-09)	Enter a new user code.
Deleting an Output 1 user*	Enter a 3-digit user ID (000-999)	Enter [*] [*]	
Deleting an Output 2 user*	Enter [*] 4	Enter a 2-digit user ID (00-09)	Enter [*] [*]
Set Output 1 timer	Enter [*] 1	Enter number of seconds (00-99)	
Set Output 2 timer	Enter [*] 5	Enter number of seconds (00-99)	
Set Output 2 function	Enter [*] 2	Enter: 01 for user codes 02 for doorbell	
Set tamper alarm	Enter [*] 6	Enter: 01 for OFF 02 for ON	

*After programming these functions, press **[#]** to return to Programming Mode.

IMPORTANT WARNING: For a weather-resistant installation, ensure that the unit is installed in a waterproof back box, and that the faceplate and faceplate screws are properly sealed. Incorrect mounting may lead to exposure to rain or moisture inside which could cause a dangerous electric shock, damage the device, and void the warranty. Users and installers are responsible for ensuring that this product is properly installed and sealed.

IMPORTANT: Users and installers of this product are responsible for ensuring that the installation and configuration of this product complies with all national, state, and local laws and codes. SECO-LARM will not be held responsible for the use of this product in violation of any current laws or codes.

California Proposition 65 Warning: These products may contain chemicals which are known to the State of California to cause cancer and birth defects or other reproductive harm. For more information, go to www.P65Warnings.ca.gov.

WARRANTY: This SECO-LARM product is warranted against defects in material and workmanship while used in normal service for one (1) year from the date of sale to the original customer. SECO-LARM's obligation is limited to the repair or replacement of any defective part if the unit is returned, transportation prepaid, to SECO-LARM. This Warranty is void if damage is caused by or attributed to acts of God, physical or electrical misuse or abuse, neglect, repair or alteration, improper or abnormal usage, or faulty installation, or if for any other reason SECO-LARM determines that such equipment is not operating properly as a result of causes other than defects in material and workmanship. The sole obligation of SECO-LARM and the purchaser's exclusive remedy, shall be limited to the replacement or repair only, at SECO-LARM's option. In no event shall SECO-LARM be liable for any special, collateral, incidental, or consequential personal or property damage of any kind to the purchaser or anyone else.

NOTICE: The SECO-LARM policy is one of continual development and improvement. For that reason, SECO-LARM reserves the right to change specifications without notice. SECO-LARM is also not responsible for misprints. All trademarks are the property of SECO-LARM U.S.A., Inc. or their respective owners. Copyright © 2025 SECO-LARM U.S.A., Inc. All rights reserved.

SECO-LARM® U.S.A., Inc.

16842 Millikan Avenue, Irvine, CA 92606

Phone: (949) 261-2999 | (800) 662-0800

Website: www.seco-larm.com

Email: sales@seco-larm.com

 PICCN2

ML_SK-x323-SxQ_251027.docx