

Sealed Black Housing Weatherproof Keypads

SK-1323-BDQ Stand-Alone Keypad

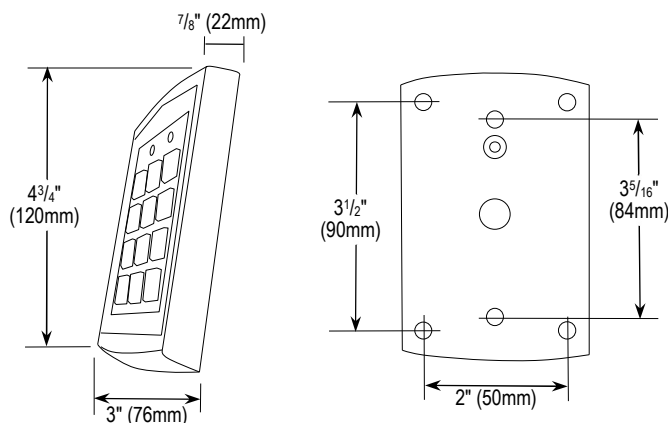
SK-1323-BPQ Stand-Alone Keypad with Built-In Proximity Reader

Features

- 12~24 VAC/VDC operation
- 1,010 User codes
- 2 Form C relays, each rated 1A@30VDC, programmable from 1~99 seconds timed or toggle
- Output #2 can be programmed for use with a doorbell
- 2 Egress inputs for exiting the premises without keying in the code
- Backlit keys for easy nighttime use
- Door sensor input for anti-tailgating operation
- All features are programmed directly from the keypad – no need for an external programmer
- EEPROM memory protects programmed information in case of power loss
- Optical tamper for added security
- IP65 weatherproof - circuitry fully sealed with epoxy in rugged aluminum housing
- Built-in proximity card reader (SK-1323-BPQ only)



Dimensions



SECO-LARM® U.S.A., Inc.

16842 Millikan Avenue, Irvine, CA 92606

Phone: (949) 261-2999 | (800) 662-0800 Fax: (949) 261-7326

Website: www.seco-larm.com Email: sales@seco-larm.com

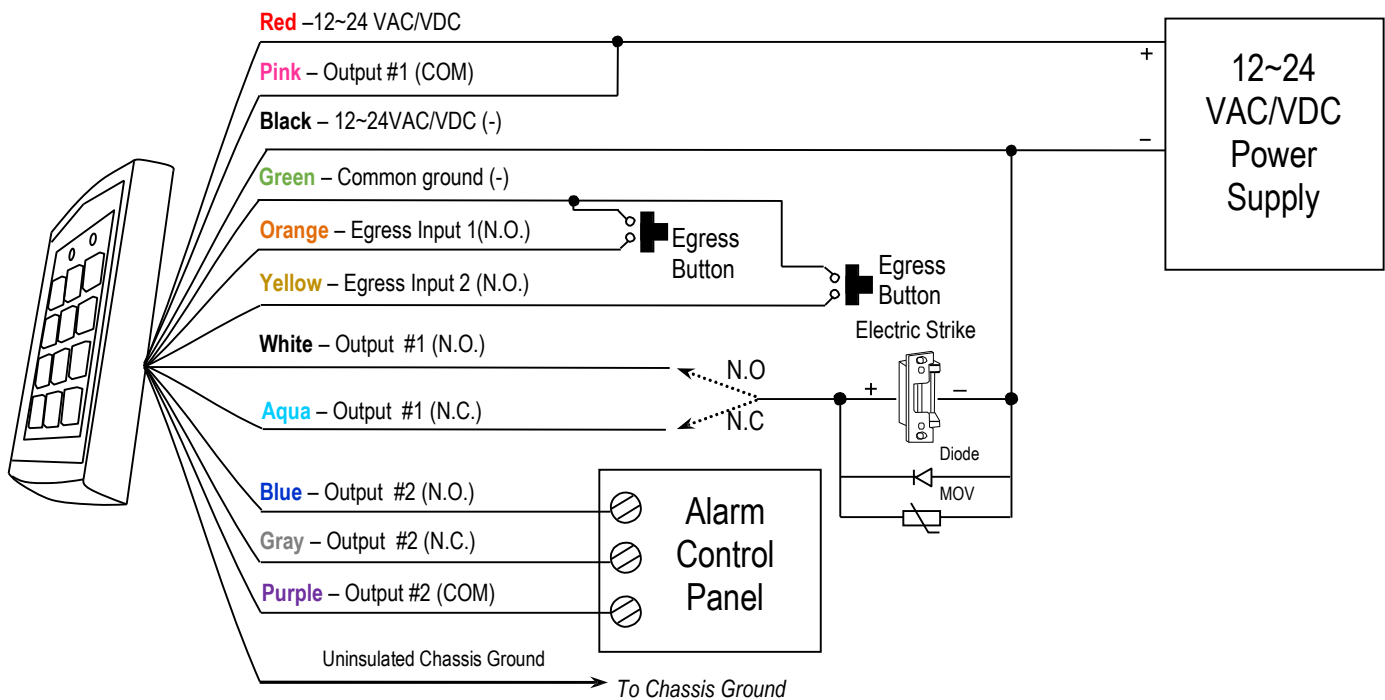


Copyright © 2026 SECO-LARM U.S.A., Inc. All rights reserved.
All trademarks are the property of SECO-LARM U.S.A., Inc. or their respective owners.
The SECO-LARM policy is one of continual development. For that reason, SECO-LARM reserves the right to change prices and specifications without notice. SECO-LARM is not responsible for misprints.

SECO-LARM® ENFORCER® CRIMEBUSTER® CBA® SLI®

PI_SK-1323-BxQ_260120.docx

Wiring Diagram



Specifications

Model	SK-1323-BDQ	SK-1323-BPQ
Operating voltage	12~24 VAC/VDC	
Current draw	Standby	64mA@12VDC
	Output 1 active	92mA@12VDC
	Output 2 active	120mA@12VDC
Outputs	#1	1A@30VDC, Form C, NO/NC/COM
	#2	1A@30VDC, Form C, NO/NC/COM
Inputs	Egress	N.O. ground
	Door sensor	N.C. ground
Tamper sensor	Optical	
Keypad backlight	LED	
Keypad backlight life	60,000 hours (6.8 years)	
Proximity frequency	N/A	125kHz
Proximity sensing range	N/A	2" (5cm)
Connectors	Color-coded wires	
LED Indicators	2x Multi-color, indicating power, relay activation, and programming process	
IP Rating	IP65 weatherproof (epoxy sealed components)	
Operating temperature	4°~122° F (-20°~50° C)	
Size standard	Single-gang	
Mounting	Surface	
Color/finish	Black	
Material	Aluminum alloy	
Dimensions	3"x4 ³ / ₄ "x7 ¹ / ₈ " (76x120x22 mm)	
Weight	1-lb 2-oz (510g)	