

## HDMI® Extenders with KVM

### Installation Manual



MVE-AH1E1-03U shown



Model	Resolution	Compliance	Range	PoC
MVE-AH1E1-03U	Up to 1080p	High-speed HDMI, HDCP 1.4	328ft (100m)	Support
MVE-AH1E1-43U	Up to 4K@60Hz	High-speed HDMI, HDCP 2.2	230ft (70m)	Support

The ENFORCER HDMI® Extenders with KVM and PoC allow you to transmit HDMI audio and video as well as a USB signal up to 328ft (100m)\* over a single Cat6/6A cable using an active transmitter and receiver, allowing remote operation of a device such as a computer or NVR/DVR. The extenders also provide HDMI loop-out and KVM.

- Display up to 4K@60Hz (MVE-AH1E1-43U only)
- Zero latency transmission over a single Cat6/6A
- Supports USB keyboard and mouse (KVM)
- Supports point-to-point connections
- Transmitter includes HDMI loop-out
- Lightning Protection, surge protection, and ESD protection.
- Supports Power over Cable (PoC) for simplified installation—requires only one power supply on either the transmitter or receiver side

\*MVE-AH1E1-03U only

## Parts List

1x Transmitter	1x Receiver	1x Power supply	1x USB-A to USB-B Cable
4x Mounting brackets*	8x Mounting screws*	1x Manual	

\*MVE-AH1E1-43U only

## Specifications

Model	MVE-AH1E1-03U	MVE-AH1E1-43U
Video bandwidth	4.95Gbps	18Gbps
Video resolution	Up to 1080p@60Hz, 1920x1200@60Hz	Up to 4K@60Hz
HDR	Not supported	HDR, HDR10, HDR10+, Dolby Vision, HLG
Color space	RGB 4:4:4, YCbCr 4:4:4, YCbCr 4:2:2	RGB 4:4:4, YCbCr 4:4:4, YCbCr 4:2:2, YCbCr 4:2:0
Color	8 bit	8/10/12 bit
Audio formats	LPCM 2.0CH	LPCM 2.0/2.1/5.1/6.1/7.1, Dolby Digital, Dolby TrueHD, Dolby Digital Plus (DD+)
Transmission range (Cat6/6A)	328ft (100m)	230ft (70m)
Cat6/6A Wiring standard	T-568B	
Power supply	12VDC@1A	
Current draw	<12W	
ESD Protection	IEC 61000-4-2: ± 8kV (Air-gap discharge) & ± 4kV (Contact discharge)	
Operating humidity	20~90% (relative humidity, non-condensing)	
Storage humidity	10~90% (relative humidity, non-condensing)	
Operating temperature	32°~104° F (0°~40° C)	
Storage temperature	-4°~140° F (-20°~60° C)	
Dimensions	3 <sup>9</sup> / <sub>16</sub> "x2 <sup>11</sup> / <sub>16</sub> "x7 <sup>7</sup> / <sub>8</sub> " (90x68x22 mm)	
Weight	6-oz (170g)	

## Installation

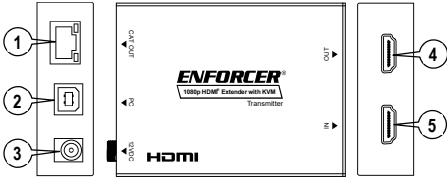
1. Determine transmitter and receiver locations and measure Cat6/6A cable length.
2. Connect the transmitter to the HDMI output of the source device.
3. Connect the Cat6/6A cable between the transmitter and receiver.
4. (Optional) Connect the display to the transmitter HDMI OUT for loop-out.
5. Connect the receiver to the HDMI input of the display or other device.
6. Connect the computer to the transmitter's USB port and a keyboard/mouse to the receiver's USB ports.
7. Connect audio devices if needed and plug in the power adapter for the transmitter.
8. Power on the source and display to verify system operation.

## INSTALLATION NOTES

- Do not place in locations that may be exposed to rain or any other moisture or liquids.
- Disconnect all devices from power before beginning installation to avoid potential damage.
- Do not install near heat sources or confined spaces with inadequate ventilation.
- The use of a single shielded Cat6/6A or better cable is strongly recommended.

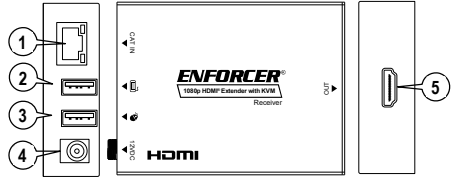
## Overview

MVE-AH1E1-03U Transmitter



- ① Cat6/6A Out
- ② USB-B
- ③ Power 12VDC
- ④ HDMI Type-A Out
- ⑤ HDMI Type-A In

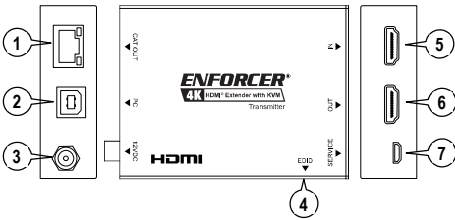
MVE-AH1E1-03U Receiver



- ① Cat6/6A In
- ② USB-A Port (Keyboard)
- ③ USB-A Port (Mouse)
- ④ Power 12VDC
- ⑤ HDMI Type-A Out

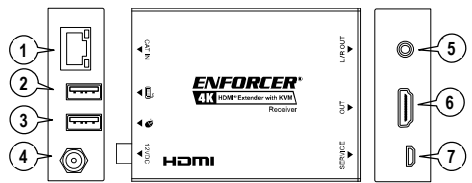
The receiver and transmitter are the same size.

MVE-AH1E1-43U Transmitter



- ① Cat6/6A Out
- ② USB-B
- ③ Power 12VDC
- ④ EDID
- ⑤ HDMI Type-A In
- ⑥ HDMI Type-A Out
- ⑦ Service – Do not use

MVE-AH1E1-43U Receiver



- ① Cat6/6A In
- ② USB-A Port (Keyboard)
- ③ USB-A Port (Mouse)
- ④ Power 12VDC
- ⑤ L/R Out
- ⑥ HDMI Type-A Out
- ⑦ Service – Do not use

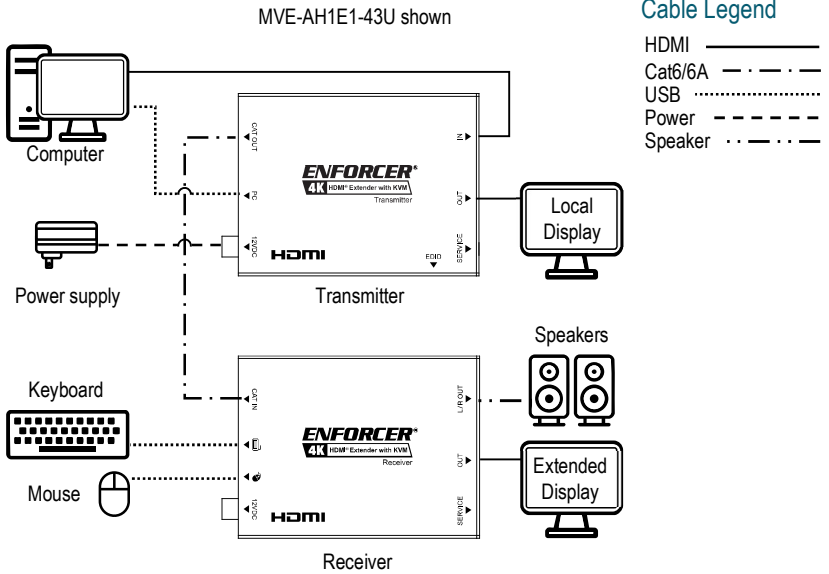
The receiver and transmitter are the same size.

## EDID Settings

EDID is only available on the MVE-AH1E1-43U.

DIP Switch 1	DIP Switch 2	Function
ON	ON	Display info is copied from the Receiver HDMI Out to the Transmitter HDMI Out
ON	OFF	Display info is fixed at 4K60Hz 2.0CH on both Transmitter and Receiver
OFF	ON	Display info is fixed at 1080p 2.0CH on both Transmitter and Receiver
OFF	OFF	Display info is copied from Transmitter HDMI Out to Receiver HDMI Out

## Sample Application



## Troubleshooting

HDMI device does not function correctly

- Use T568-B wiring standard
- Make sure the extender is powered
- Make sure the source and display are powered
- Test the cable between the receiver and transmitter to make sure it is functional
- Make sure there are no problems with the HDMI source, HDMI cables, or HDMI display by plugging the source directly into the display using an HDMI cable

Screen flickering or brief image loss

- Use a higher grade of twisted pair category cable (Cat6/6A is recommended)
- Switch the source device to a lower HDMI output (e.g., 1080p to 1080i)
- Restart the handshake process by powering everything down, then powering up and connecting each device in succession, starting with the HDMI source

**IMPORTANT:** Users and installers of this product are responsible for ensuring this product complies with all national, state, and local laws and statutes related to monitoring and recording audio and video signals. SECO-LARM will not be held responsible for the use of this product in violation of any current laws or statutes.

**California Proposition 65 Warning:** These products may contain chemicals which are known to the State of California to cause cancer and birth defects or other reproductive harm. For more information, go to [www.P65Warnings.ca.gov](http://www.P65Warnings.ca.gov).

**WARRANTY:** This SECO-LARM product is warranted against defects in material and workmanship while used in normal service for one (1) year from the date of sale to the original customer. SECO-LARM's obligation is limited to the repair or replacement of any defective part if the unit is returned, transportation prepaid, to SECO-LARM. This Warranty is void if damage is caused by or attributed to acts of God, physical or electrical misuse or abuse, neglect, repair or alteration, improper or abnormal usage, or faulty installation, or if for any other reason SECO-LARM determines that such equipment is not operating properly as a result of causes other than defects in material and workmanship. The sole obligation of SECO-LARM and the purchaser's exclusive remedy, shall be limited to the replacement or repair only, at SECO-LARM's option. In no event shall SECO-LARM be liable for any special, collateral, incidental, or consequential personal or property damage of any kind to the purchaser or anyone else.

**NOTICE:** The SECO-LARM policy is one of continual development and improvement. For that reason, SECO-LARM reserves the right to change specifications without notice. SECO-LARM is also not responsible for misprints. All trademarks are the property of SECO-LARM U.S.A., Inc. or their respective owners. Copyright © 2026 SECO-LARM U.S.A., Inc. All rights reserved.

**SECO-LARM® U.S.A., Inc.**

16842 Millikan Avenue, Irvine, CA 92606  
 Phone: (949) 261-2999 | (800) 662-0800

Website: [www.seco-larm.com](http://www.seco-larm.com)  
 Email: [sales@seco-larm.com](mailto:sales@seco-larm.com)

PICHN3

ML\_MVE-AH1E1-x3U\_251121.docx